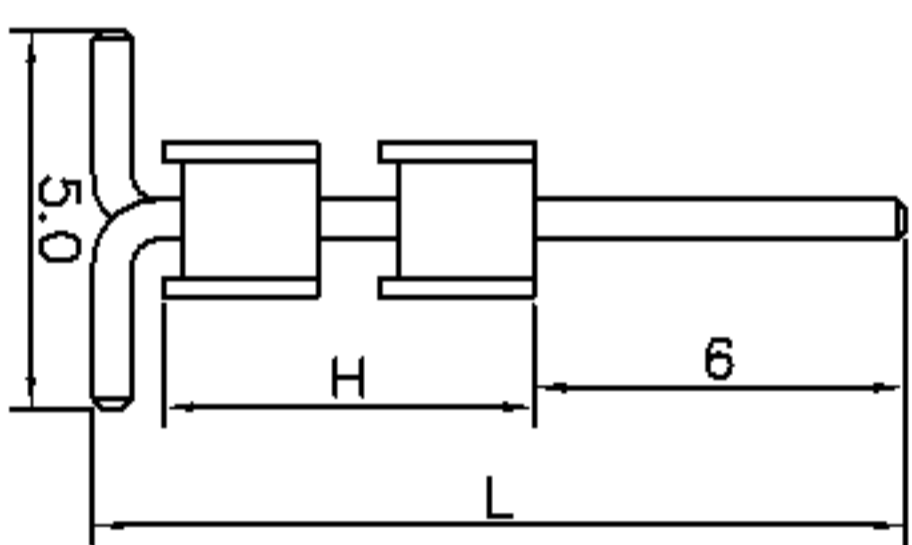
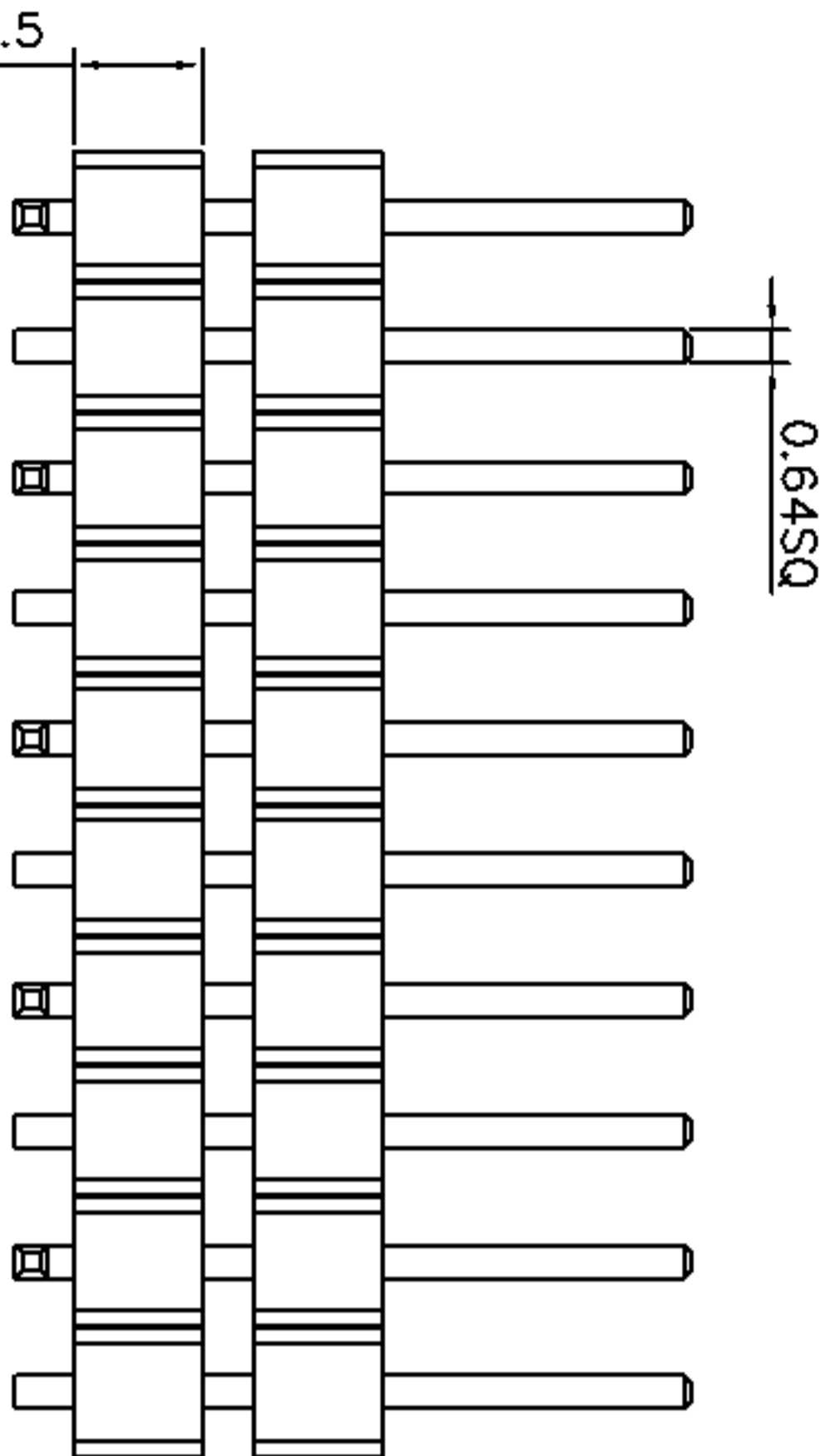
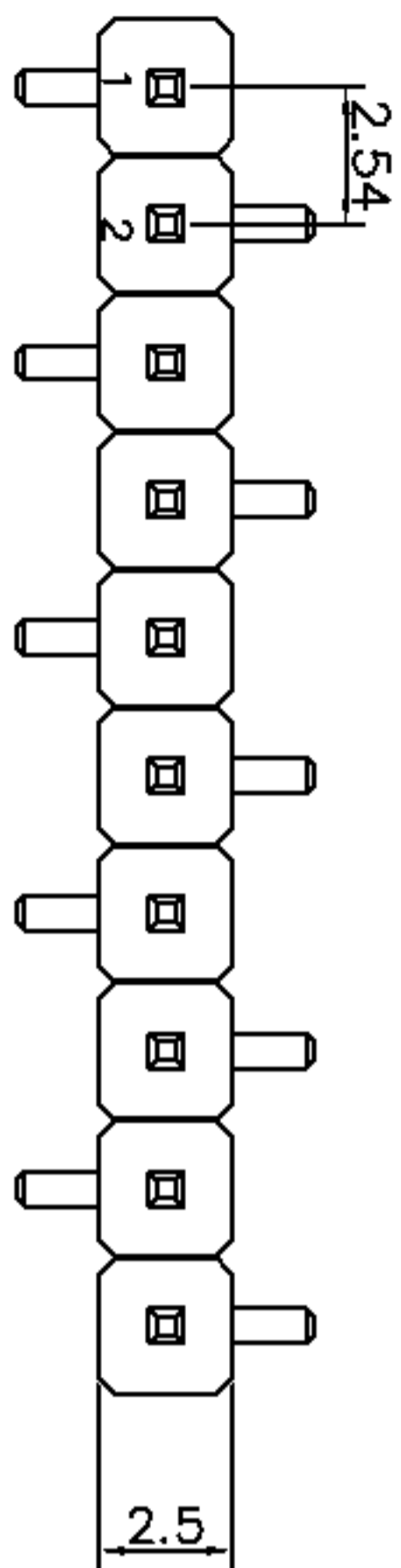
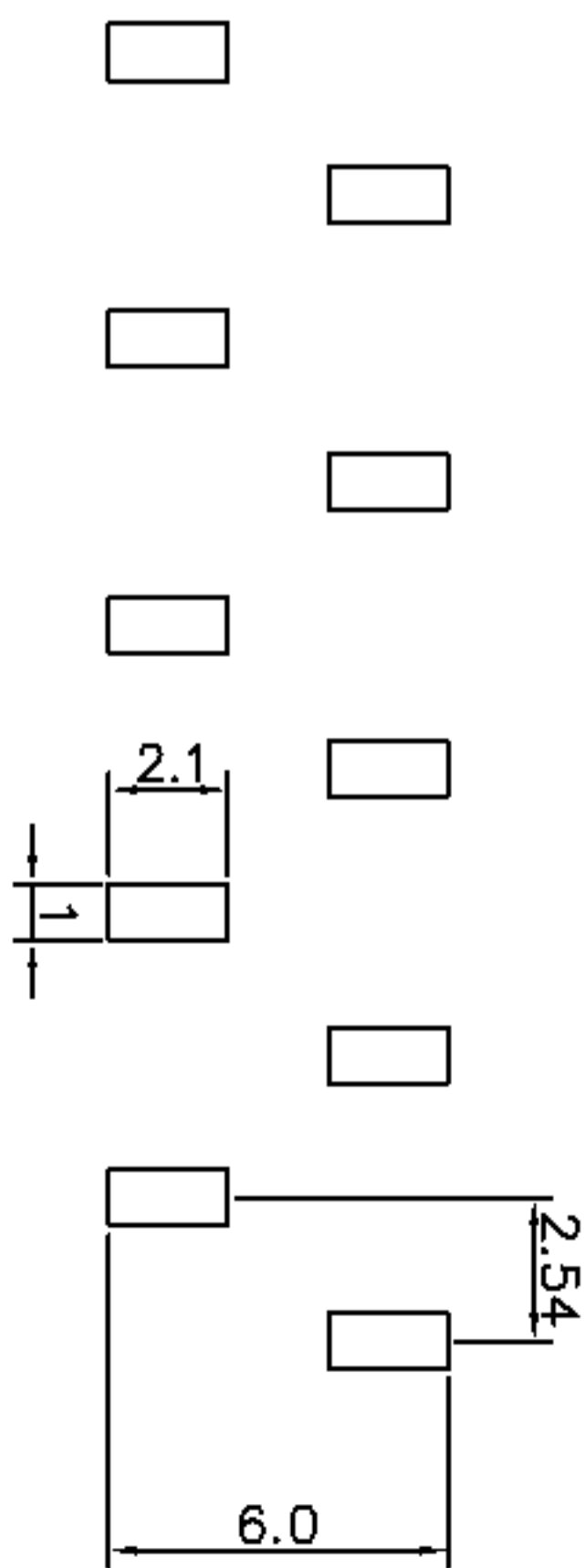


| | | | |
|---|-----|---|------------|
| | | | |
| A | | | |
| | 新版图 | / | 2012.05.23 |
| | | | L2M |



H、L的尺寸
可依客户要求订做



PCB Layout

Technical Data:

Material: Brass
 Insulator Material: PBT+30%GF
 Electrical:
 Current rating: 3Amps/Contact max.
 Contact resistance: ≤ 20 mohms/Contact
 Insulation resistance: ≥ 1000 Mohms at $V=100V$
 Withstanding Voltage: 550V AC/Minute
 Mechanical:
 Operating Temperature: Gold plated: $-55^{\circ}C \sim 105^{\circ}C$
 Tin plated: $-40^{\circ}C \sim 105^{\circ}C$
 Soldering Temperature: $260^{\circ}C$ 10s Max.

1.0/1.5/1.7/2.0/2.5

1101-254M21XXB-H-L
 2.54PIN距双塑胶单排SMT型排针系列
 塑高
 A: 1脚右贴, B: 1脚左贴
 总高
 每排PIN数

| TOLERANCE | | ANGLE | |
|-----------|------|-------|--|
| TOL | ON | ANGLE | |
| XXX = | 0.05 | | |
| XX = | 0.15 | 1° | |
| X = | 0.20 | 2° | |
| X. = | 0.30 | | |

| | | |
|-----------------|----------------------|--|
| DRAWN | DATE | 武汉宇恒电子有限公司 WUHAN YUHENG ELECTRONIC CO., LTD |
| YSH | 2012.05.23 | |
| CHECKED | DATE | TITLE: |
| CLIENT APPROVED | DATE | 排针系列-2.54 PIN距-单排-双塑胶 左1脚贴片型 |
| RFQ NO | | |
| CLIENT P/N | 1101-254M21XXB-XX-XX | |
| UNIT | SCALE: free | |
| FILE NO.: | YH20120529A005 | |