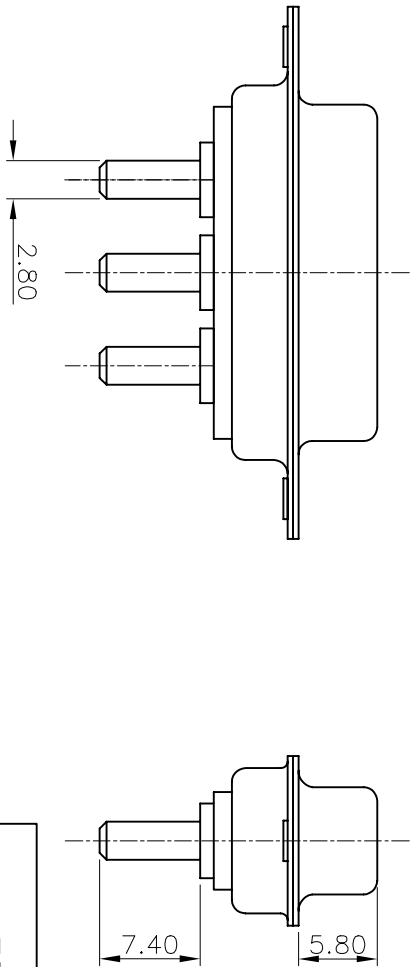
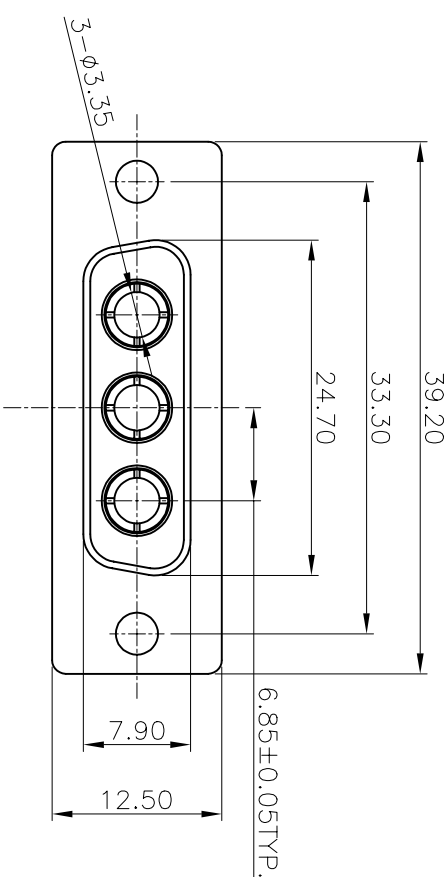


REV	MODIFICATION	DATE	DRAW	APPROVE
A	NEW DWG	2007.07.04	HUANG	KEVIN

NOTES

- 1: MATERIAL:
SHELL: STEEL
HOUSING: PBT+30%G.F, BLACK, UL94V-0
CONTACT: PHOSPHOR BRONZE
- 2: FINISH:
SHELL: NICKEL PLATING
CONTACT PLATING: GOLD PLATING
- 3: SPECIFICATION:
CURRENT RATING: 40A
VOLTAGE RATING: 300V
CONTACT RESISTANCE: 20mΩ
WITHSTANDING VOLTAGE: 1000V
INSULATION RESISTANCE: 5000MΩ
OPERATING TEMPERATURE: -55°C~105°C



-TOLERANCES-
UNLESS OTHERWISE SPECIFIED

X.X	±0.30	X.X°	±3°		TITLE: 3W3 FEMALE 插板成品
X.XX	±0.15	X.XX°	±1°		
X.XXX	±0.10	X.XXX°	±0.5°		APPD: KEVIN CHECK: TENA DRAW: HUANG
				PRODUCT NO: 133-003FPXMK01	TITLE: 3W3 FEMALE 插板成品
				DATE: 2007.07.04	SCALE: UNIT
				FRBE: MM	TYPE: Y
					PAGE: 1/1