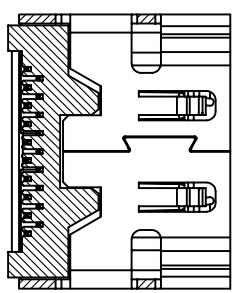
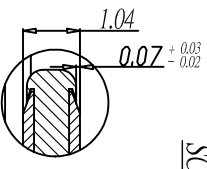
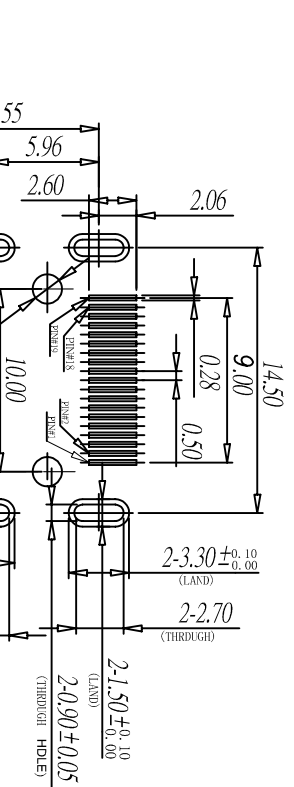
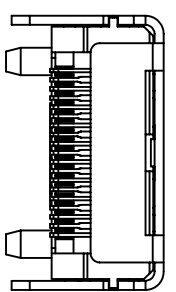
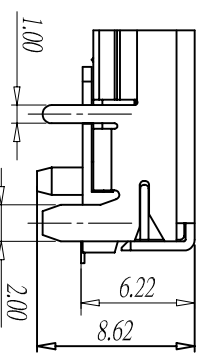
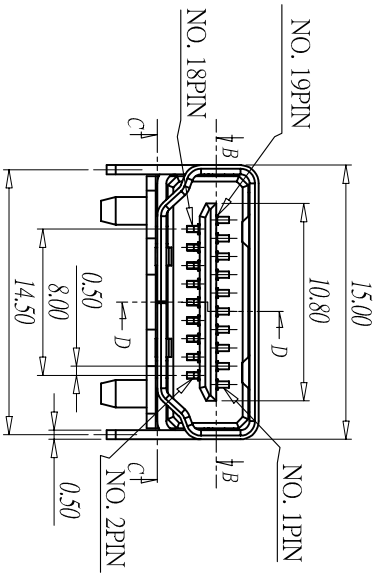


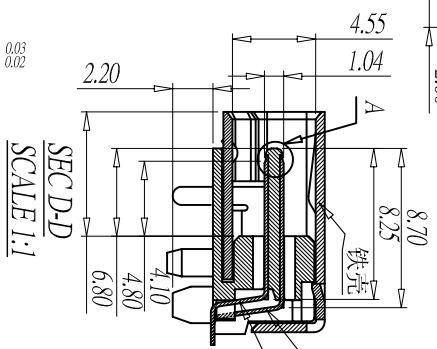
SEC B-B
SCALE 1:1



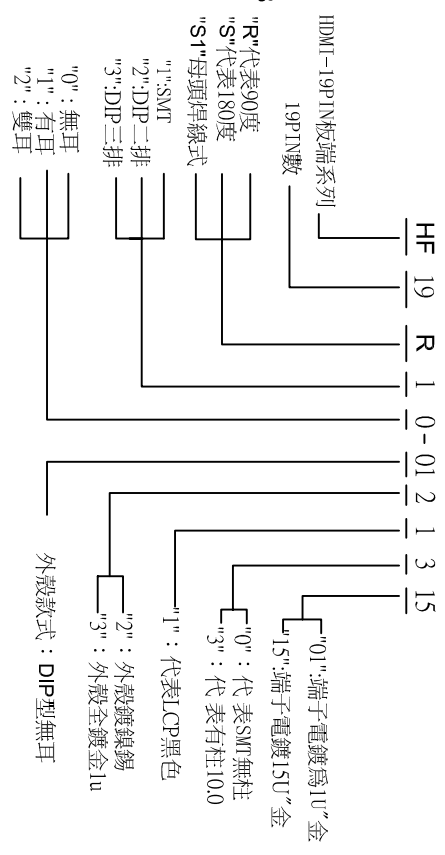
SEC C-C
SCALE 1:1



DETAIL A
SCALE 3:1



SEC D-D
SCALE 1:1



- NOTE:**
- MATERIALS AND FINISH**
 - HOUSING & KEY: TEMP. PLASTIC, UL 94V-0 RATED.
 - CONTACTS: COPPER ALLOY.
 - CONTACT AREA, GOLD ON CONTACT AREA, 120u" MIN TIN PLATING ON SOLDER TAILS, BOTH OVER 50u" MIN NICKEL ALL OVER.
 - SHIELD:** COPPER ALLOY.
 - PLATING NICKEL 80u" MIN ALL OVER.**
- 2. DIMENSIONS SHALL BE INTERPRETED PER MIL-STD-105E II**
- 3. PRODUCT CODE:**

RoHS

REV	DESCRIPTION	MODIFICATION	DATE
A/0	新制定		06.05.08

RECOMMENDED P.C.B. PATTERN LAYORTT=1.6±0.1

未標示公差尺寸值		DRAWN BY		FAN SHA	
METRIC		DESIGNED BY			
.0±0.35		APPROVAL BY			
.00±0.25		DRAW NO		COSJ-157	
.000±0.15		UNIT		mm	
TITLE: HDMI 板端無耳(膠柱10.0)		SCALE		A/1	
PRODUCT NO: HF19R10-0121315		REV		A/1	
FILE NO: ZK-3-D-001		REV		A/1	