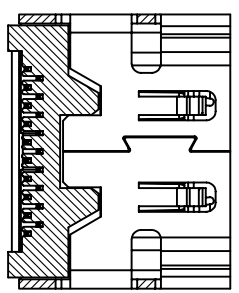
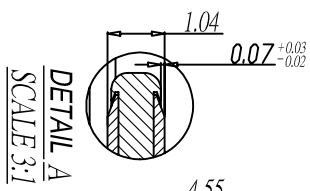
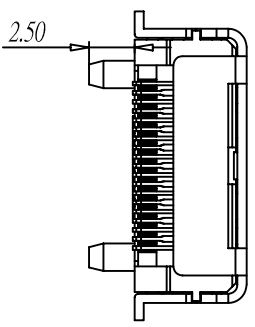
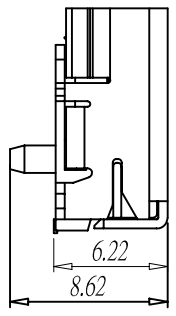


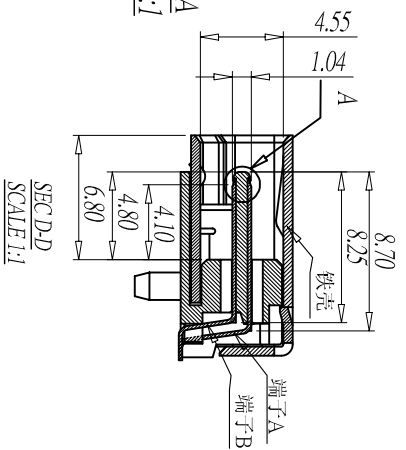
SEC B-B  
SCALE:1:1



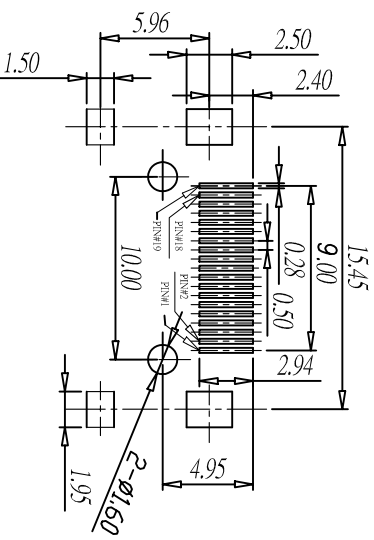
SEC C-C  
SCALE:1:1



DETAIL A  
SCALE:3:1



SEC D-D  
SCALE:1:1

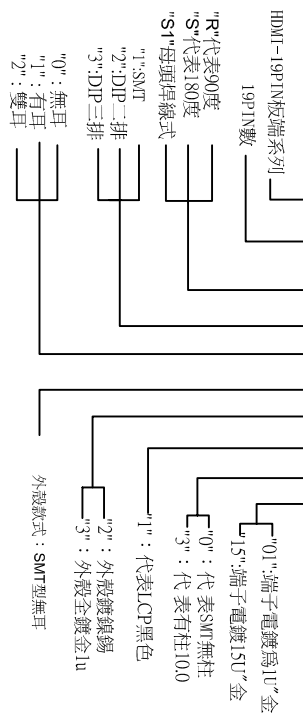


RoHS

REV	DESCRIPTION	MODIFICATION	DATE
A/0	新制定		05.07.02
A/1	變更一	物料編碼變更	06.05.08

NOTE:

1. MATERIALS AND FINISH
- 1.1 HOUSING&KEY: TEMP. PLASTIC, UL 94V-0 RATED.
- 1.2 CONTACTS: COPPER ALLOY. GOLD ON CONTACT AREA, 120u" MIN TIN ON SOLDER TAILS, BOTH OVER 50u" MIN NICKEL ALL OVER.
- 1.3 SHIELD: COPPER ALLOY.
2. DIMENSIONS SHALL BE INTERPRETED PER MIL-STD-105E II
3. PRODUCT CODE:



HF 19 R 1 0-02 2 1 3 15

RECOMMENDED P.C.B. PATTERN LAYORT(=1.6±0.15)

未標示公差尺寸值 METRIC .0±0.35 .00±0.25 .000±0.15		TITLE: HDML板端SMT型無耳(膠柱:10.0)		DRAWN BY FAN SHA	
PRODUCT NO: HF19R10-0321315		FILE NO: ZK-3-D-001		DESIGNED BY	
SCALE 1:1		REV A/0		APPROVAL BY	
		UNIT mm		DRAW NO COSJ-179	