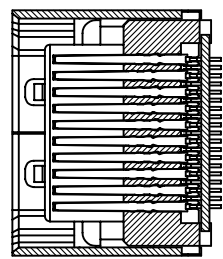
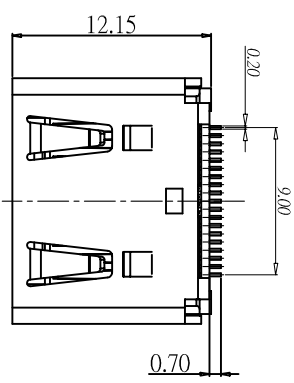
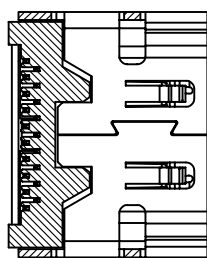


ROHS

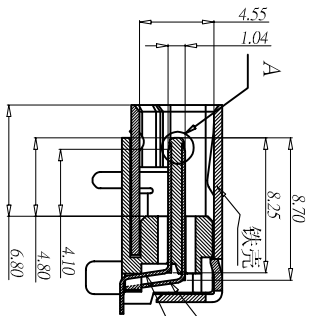
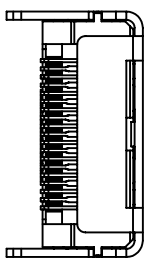
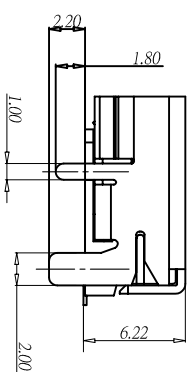
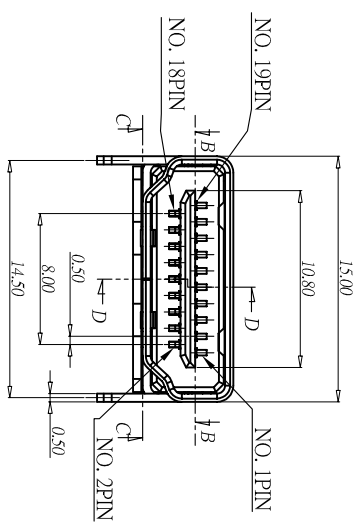
REV	DESCRIPTION	MODIFICATION	DATE
A/0	新制定		06.05.05



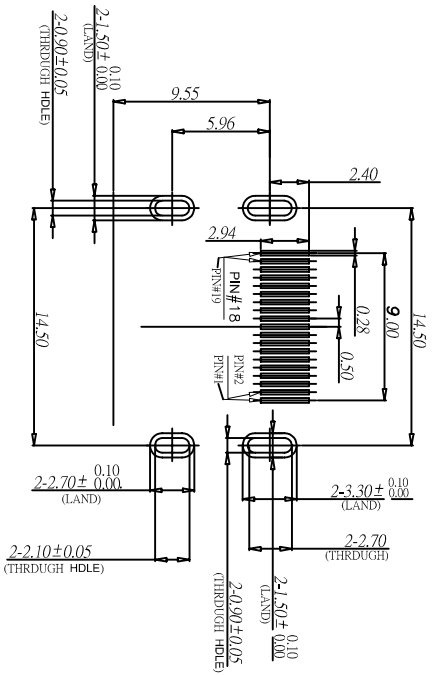
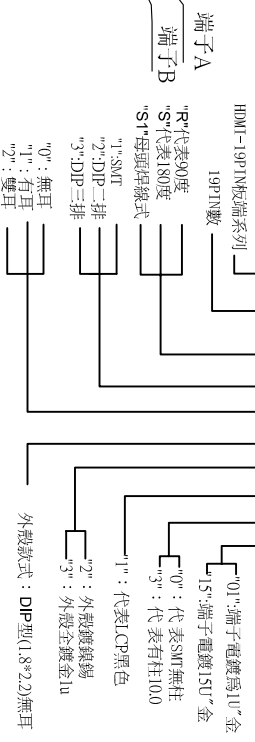
SEC B-B
SCALE 1:1



SEC C-C
SCALE 1:1



SEC D-D
SCALE 1:1



DETAIL A
SCALE 3:1

RECOMMENDED P.C.B. PATTERN LAYORT(T=1.6±0.1)

- NOTE:
- MATERIALS AND FINISH
 - HOUSING&KEY: TEMP PLASTIC, UL 94V-0 RATED.
 - CONTACTS: COPPER ALLOY. GOLD ON CONTACT AREA, 120u" MIN TIN PLATING ON SOLDER TAILS. BOTH OVER 50u" MIN NICKEL ALL OVER.
 - SHIELD: COPPER ALLOY. PLATING NICKEL 80u" MIN ALL OVER.
 - DIMENSIONS SHALL BE INTERPRETED PER MIL-STD-105E II
 - PRODUCT CODE:

未標示公差尺寸值		DRAWN BY		聶玉忠	
METRIC		DESIGNED BY			
.0=±0.35		APPROVAL BY			
.00=±0.25		DRAW NO		COSI-123	
.000=±0.15		UNIT		mm	
TITLE: HDMT板端無耳(1.80*2.20)		SCALE		A/0	
PRODUCT NO: HF19R10-0521015		REV		A/0	
FILE NO: ZK-3-D-001		REV		A/0	