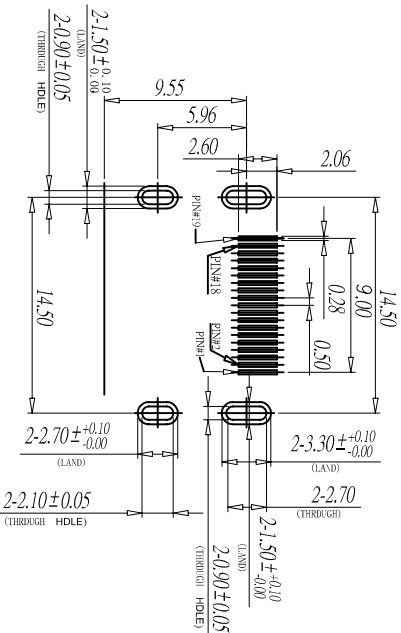


HF 19 R 1 3 - 38 2 1 0 15

- NOTE:**
- MATERIALS AND FINISH**
    - HOUSING&KEY: TEMP.PLASTIC,LCP UL 94V-0 RATED.
    - CONTACTS: COPPER ALLOY: C5191 GOLD ON CONTACT AREA, 120u" MIN TIN PLATING ON SOLDER TAILS, BOTH OVER 50u" MIN NICKEL ALL OVER.
    - SHIELD: COPPER ALLOY: C2680 COPPER ALLOY NICKEL80u" MIN ALL OVER. 1.4 RECOMMENDED SCREWMING TORQUE:  $\phi 0.343N-M(3.5kgf-cm)$  TORQUE LIMIT $\phi.392N-m(4.0kgf-cm)$
  - DIMENSIONS SHALL BE INTERPRETTED PER MIL-STD-105E1
  - PRODUCT CODE:



RECOMMENDED P.C.B. PATTERN LAYORT(T)=1.6±0.1

REV	DESCRIPTION	MODIFICATION	DATE
A/0	RoHS 新制定		06.10.24

未標示公差尺寸值		DRAWN BY		FAN SHA	
METRIC		DESIGNED BY			
.0±0.35		APPROVAL BY			
PRODUCT NO: HF19R13-3821015		DRAW NO		COSJ-170	
FILE NO: ZK-3-D-001		UNIT		mm	
SCALE: 1:1		REV		A/1	
.00±0.25					
.000±0.15					