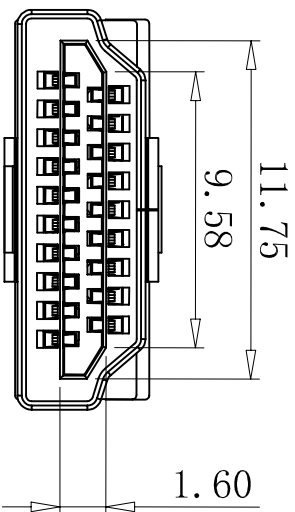
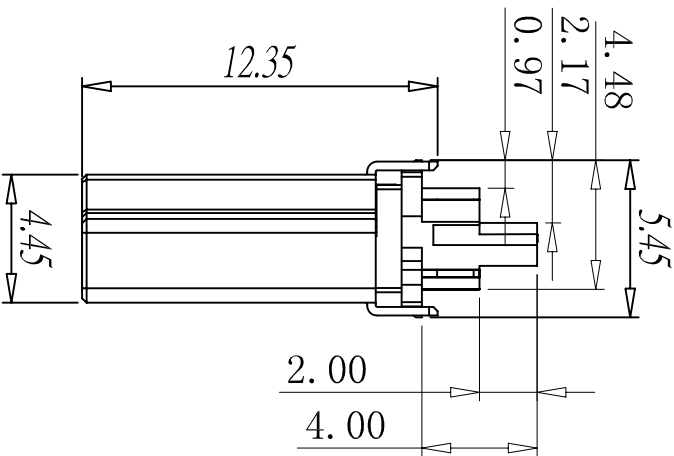
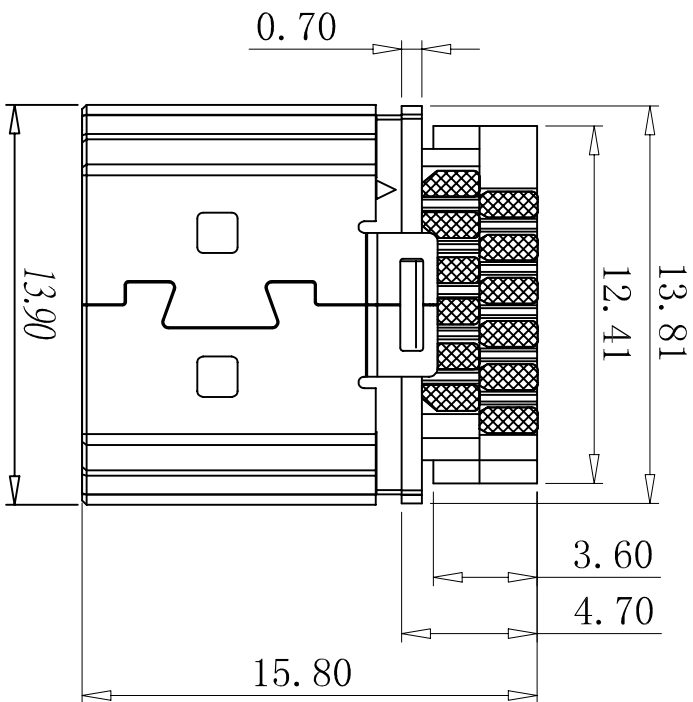
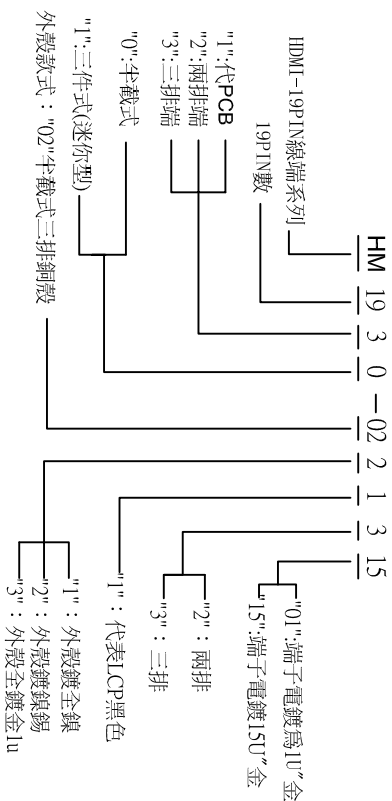


RoHS

REV	DESCRIPTION	MODIFICATION	DATE
A/0	新制定		06.07.22
A/1	變更一	物料編碼變更	06.11.10



- NOTE:**
- MATERIALS**
1. HOUSING: THERMOPLASTIC HIGH TEMP, UL94V-0 COLOR: BLACK
 2. TERMINAL: COPPER ALLOY, T=0.25MM GOLD ON CONTACT AREA, 120U" MIN TIN PLATING ON SOLDER TAILS. BOTH OVER 50U" MIN NICKEL ALL OVER.
 3. SHELL: BRASS, NI AND SN PLATED OVERALL, T=0.3MM
- SPECIFICATION**
1. CURRENT RATING: 0.5 A MAX
 2. DIELECTRIC WITHSTANDING VOLTAGE: 250V AC R.M.S. FOP ONE MINUTE.
 3. INSULATION RESISTANCE: 1000M MIN AT 250V DC.
 4. OPERATING TEMPERATURE: -40° TO +85°.
 5. PRODUCT CODE:



未標示公差尺寸值		DRAWN BY		FAN SHA	
METRIC		DESIGNED BY			
.0=±0.35		APPROVAL BY			
.00=±0.25		DRAW NO		COSJ-154	
.000=±0.15		UNIT		mm	
TITLE: HDMI公頭19PIN半截式三排		SCALE		1:1 REV A/0	
PRODUCT NO: HM1930-0221315		REV		A/0	
FILE NO: ZK-3-D-001		REV		A/0	