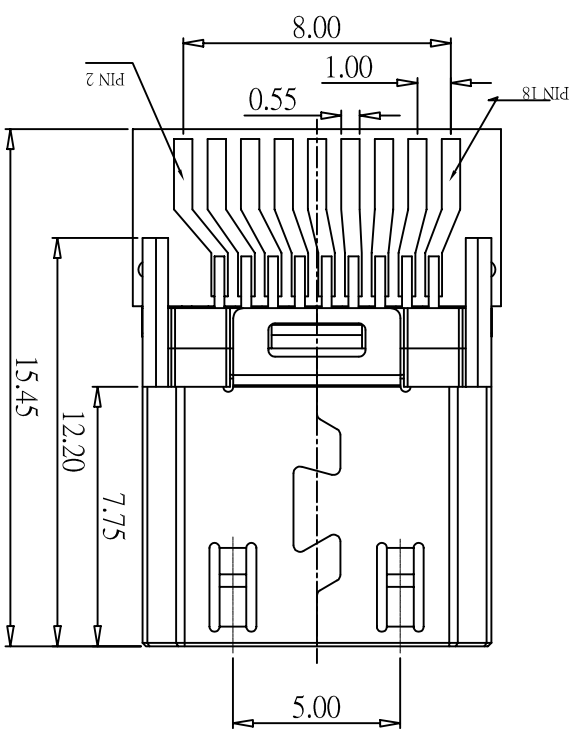
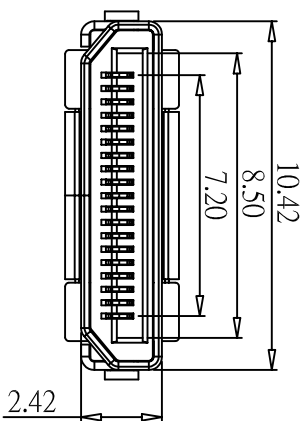
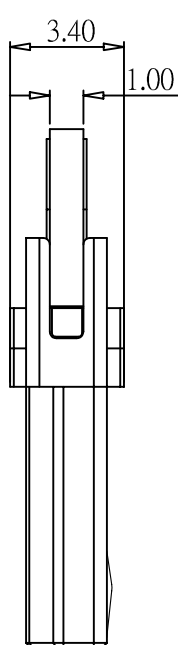
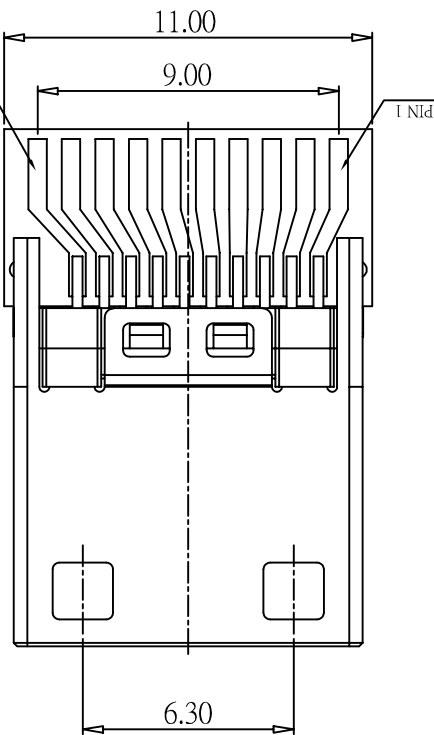
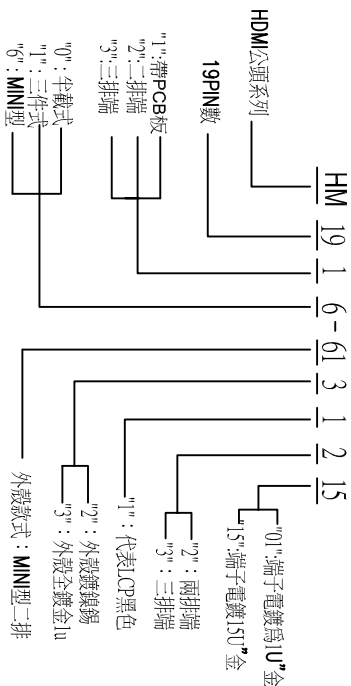


| REV | DESCRIPTION | MODIFICATION | DATE |
|-----|-------------|--------------|----------|
| A/0 | 新制定 | | 07.04.11 |



NOTE:
 1. MATERIALS AND FINISH
 1.1 HOUSING&KEY:
 LCP BLACK, UL 94V-0 RATED.
 1.2 CONTACTS:
 COPPER ALLOY. C5191. T=0.12
 GOLD ON CONTACT AREA,
 120u" MIN TIN PLATING ON SOLDER TAIL.S,
 BOTH OVER 40u" MIN NICKEL ALL OVER.
 1.3 SHIELD:
 COPPER ALLOY. C5191 .T=0.25
 PLATING GOLD 1u" MIN ALL OVER .
 2. PRODUCT CODE:



| | | | | | | |
|------------|----------|-------------|----------------|------------------|-----------|-----|
| 未標示公差尺寸值 | METRIC | TITLE: | | MINI HDMI公頭帶PCB板 | DRAWN BY | 聶玉忠 |
| | .0=±0.35 | PRODUCT NO: | HM1916-6131215 | CHECKED | | |
| .00=±0.25 | FILE NO: | ZK-3-D-001 | APPROVED | DRAW NO | COSI-1014 | |
| .000=±0.15 | SCALE | 1:1 | REV | UNIT | mm | |