

REV.	ECN NO	LOCATIONS	DESCRIPTION	DATE	REVISER	APPD

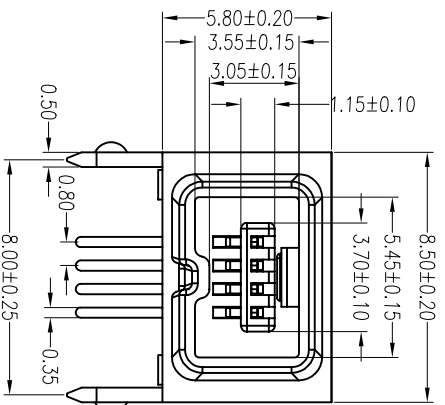
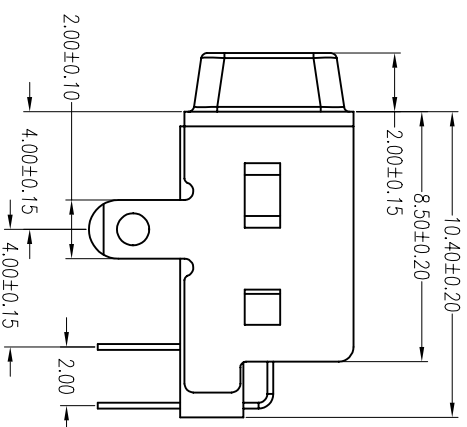
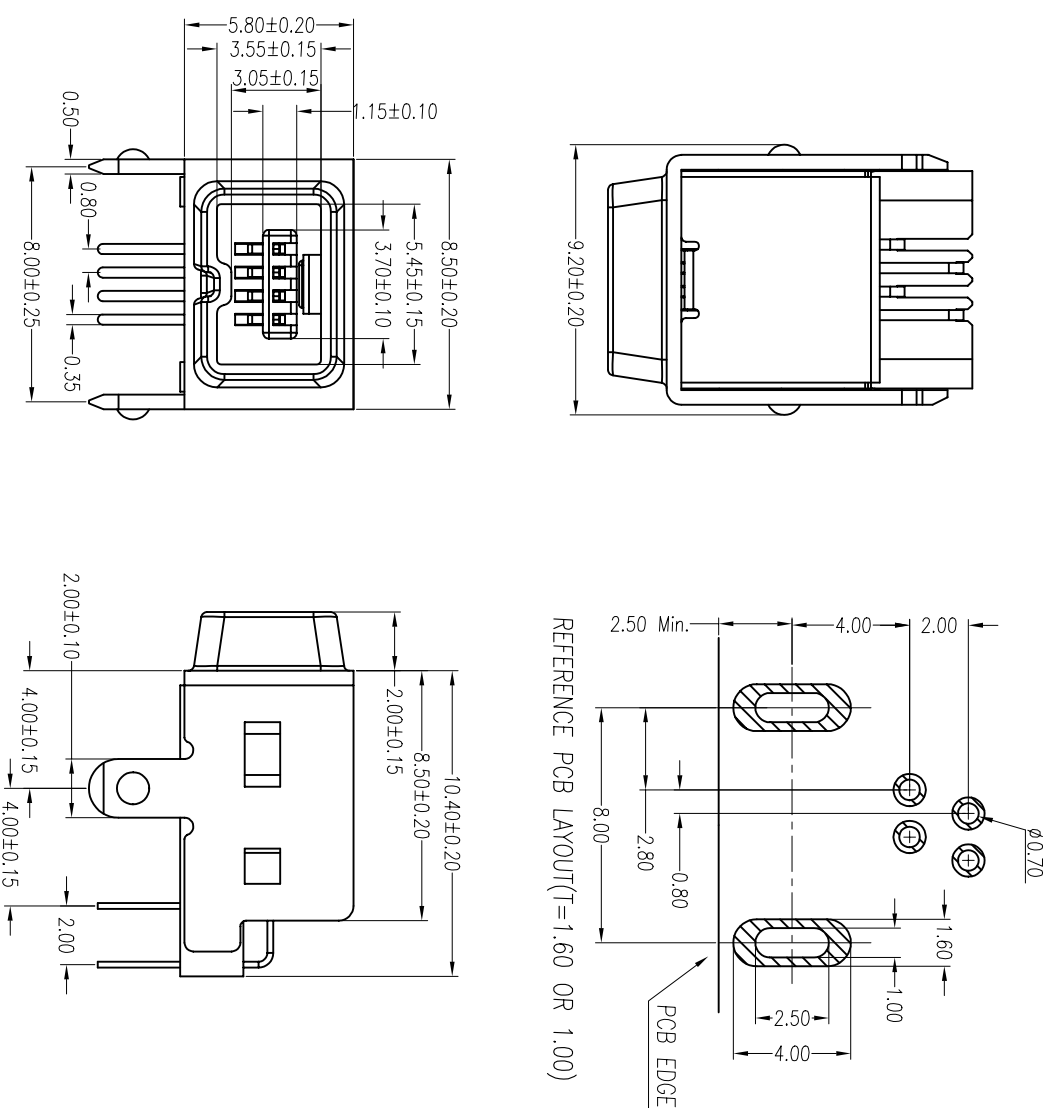
- Note:
1. Material:
- 1.1 Insulator: PA6T UL 94-V0 rated.
  - 1.2 Contact: Phosphor bronze,  $t=0.20\text{mm}$ .
  - 1.3 Down Shell: Brass,  $t=0.50\text{mm}$
  - 1.4 UP Shell: SUS,  $t=0.20\text{mm}$

2. Specification:

- 2.1 Current rating: 1 A Max.
- 2.2 Dielectric withstanding voltage: 500 V(ac) for 1 minute.
- 2.3 Contact resistance: 30 mW Max.
- 2.4 Insulation resistance: 1000 MW Min at DC 500V.
- 2.5 Total mating force: 3.0 Kgf Max.
- 2.6 Total unmating force: 0.5 Kgf Min.
- 2.7 Temperature range:  $-55^{\circ}\text{C}\sim+105^{\circ}\text{C}$

3. Finishes:

- 3.1 Contacts: Gold flashed 1u", 3u", 5u", 10u", 15u", 30u".
- 3.2 Shell: Nickel Plated.



No.	Name	Q'ty	Material	Remarks	Finish
4	Up shell	1	SUS	T=0.20mm	No Finish
3	Down shell	1	Brass	T=0.50mm	Nickel Plated
2	Contact	4	Phosphor Bronze	T=0.20mm	Gold Flashed
1	Housing	1	P.B.T	UL 94-V0	Black

PART NO.: MATERIAL:

MODEL NO.: FINISH:

UNIT: mm SIZE: A4 COLOR:

TOLERANCE UNSPECIFIED

x ±0.3  
 .xx ±0.20  
 .xxx ±0.100  
 ANG. ±1°

PART NAME:  
 IEEE 1394-4PIN(F) 90°DIP(兩只腳)

DWG NO: S/A-340

REV: A0

DR: 黃義強 05/06/18  
 CHK: Song 05/06/18  
 APP: Kent 05/06/18

SCALE: 4:1 SHEET: 1 of 1

