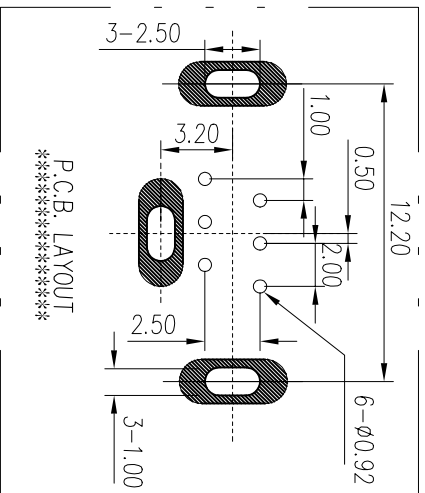
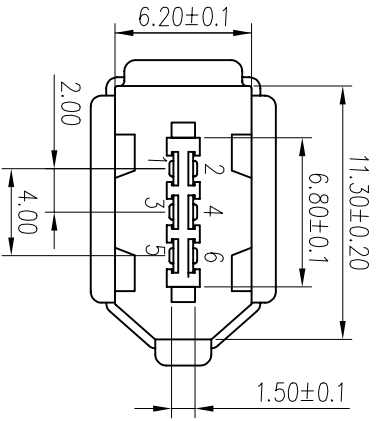
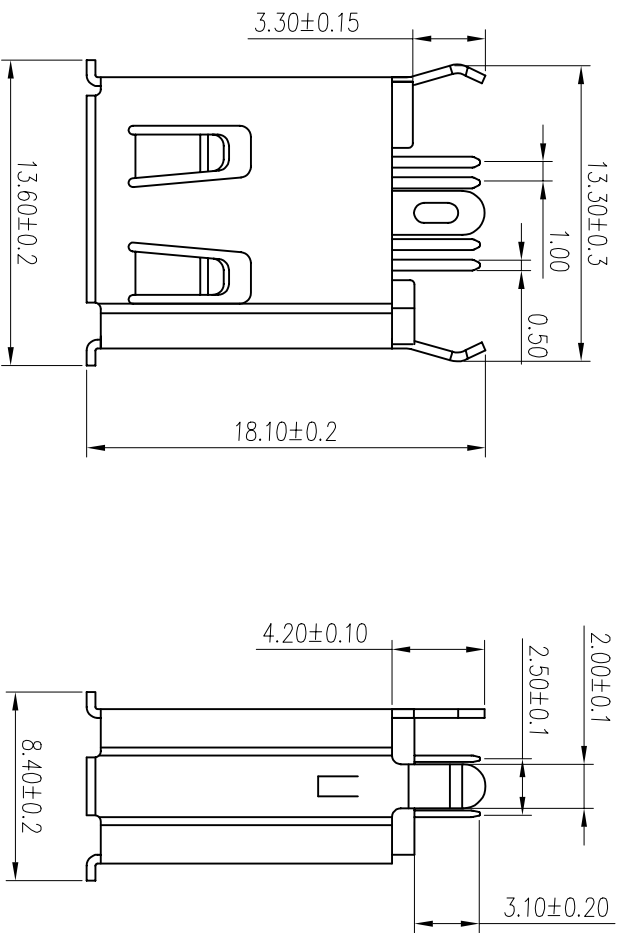


REV.	ECN NO	LOCATIONS	DESCRIPTION	DATE	REVISER	APPD



Note:

1.Material:

- 1.1 Insulator: P.B.T UL 94-V0 rated.
- 1.2 Contact: Brass,t=0.25mm.
- 1.3 Shell: Brass,t=0.40mm.

2.Specification:

- 2.1 Current rating: 1 A Max.
- 2.2 Dielectric withstanding voltage: 500 V(ac) for 1 minute.
- 2.3 Contact resistance: 30 mΩ Max.
- 2.4 Insulation resistance: 1000 MΩ Min at DC 500V.
- 2.5 Total mating force: 4.5 Kgf Max.
- 2.6 Total unmating force: 1.5 Kgf Min.
- 2.7 Temperature range: -55°C~+105°C

3.Finishes:

- 3.1 Contacts:Gold flashed 1u",3u",5u",10U",15u",30u".
- 3.2 Shell:Tin Plated.

No.	Name	Q'ty	Material	Remarks & Thickness	Finish
3	Shell	1	Brass	T=0.40mm	Nickel Plated
2	Contact	6	Brass	T=0.25mm	Gold Flashed
1	Housing	1	P.B.T	UL 94-V0	Black

PART NO:		MATERIAL:		PART NAME:	
MODEL NO:		FINSH:		IEEE 1394-6PIN(F)180°DIP(三脚)	
UNIT: mm		COLOR:		DWG NO: S/A-345	
SIZE: A4		DR: 段林麗 '06/03/01		SCALE: 3:1	
TOLERANCE UNSPECIFIED		CHK: Song '06/03/01		SHEET: 1 of 1	
.x ±0.3		APP: Kent '06/03/01		REV: A0	
.xx ±0.20					
.xxx ±0.100					
ANG. ±T					