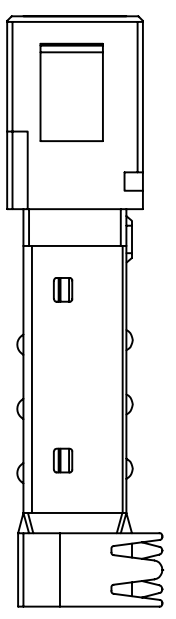
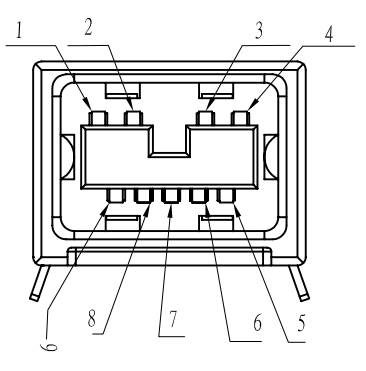
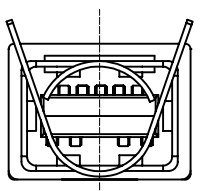
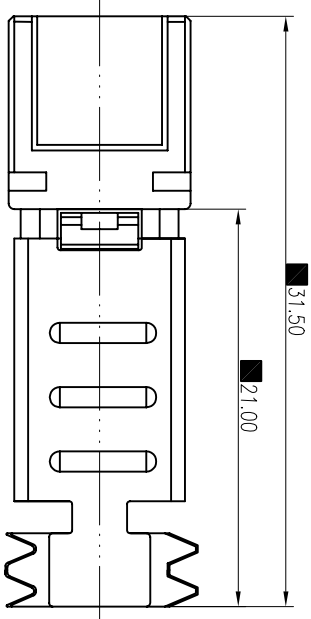
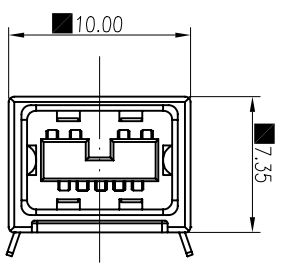


REV.	ECN NO	LOCATIONS	DESCRIPTION	DATE	REVISER	APPD

Note:

- Electrical Specifications:
Voltage: 30V
Current: 1.5 AMPS.
Contact resistance: 50 mW max.
Shell resistance: 50 mW
Insulation resistance: 100 mW min.
Dielectric withstand: 100Vdc
- Temperature Range:
Operating: -40°C~+85°C
Storage: -40°C~+105°C
- Qc Dimension



- Critical
- Major
- Minor

TABLE:

ITEM	DESCRIPTION	Quantity
A	Bata Cover	1 pcs
B	Main Shell	1 pcs
C	Upper Shell	1 pcs
D	Plug Kit	1 SET

PART NO:	MATERIAL:	PART NAME:	
MODEL NO:QT	FINSH:	IEEE 1394-9PIN(M) B TYPE焊線式	
UNIT: mm	SIZE: A4	DR: 李霞	DWG NO: S/A-351
TOLERANCE UNSPECIFIED		CHK: Kevm	SCALE: 3:1
.x ±0.3		APP: Kent	SHEET: 1 of 1
.xx ±0.20			REV: A0
.xxx ±0.100			
ANG. ±1°			