

REV	ECN NO	LOCATIONS	DESCRIPTION	DATE	REVISER	APPD

Note:

1.Material:

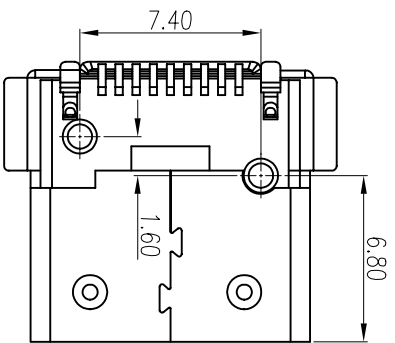
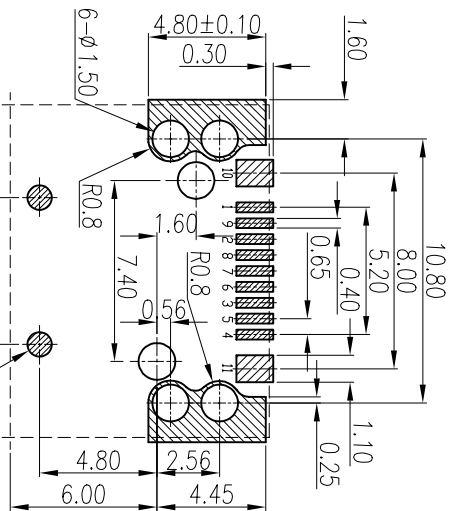
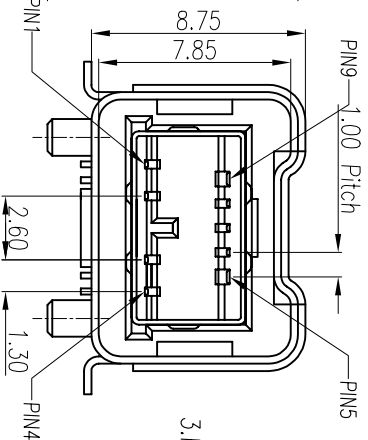
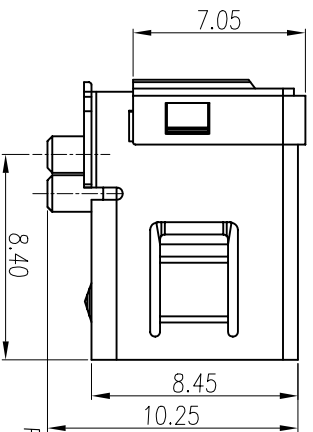
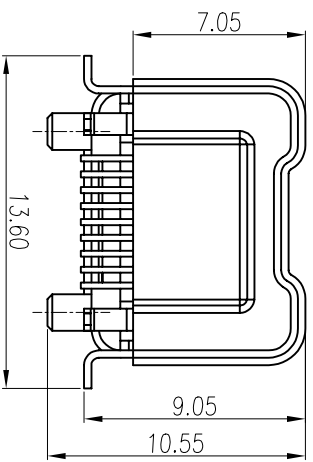
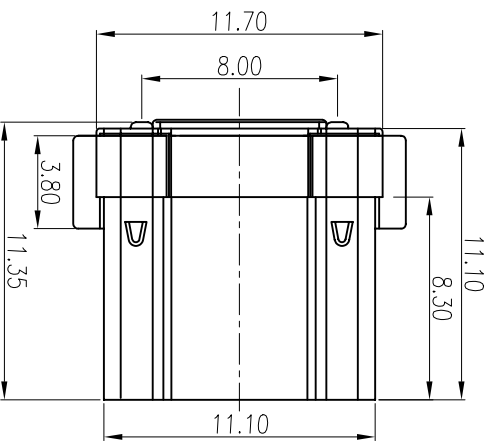
- 1.1 Insulator: PA6T 15%G.F. UL 94-V0 rated.
- 1.2 Contact: Phosphor bronze,t=0.25mm.
- 1.3 Shell: Copper alloy,t=0.30mm.

2.Specification:

- 2.1 Current rating: 1.5 A Max.
- 2.2 Dielectric withstanding voltage: 100 V(ac) for 1 minute.
- 2.3 Contact resistance: 50 mΩ Max.
- 2.4 Insulation resistance: 100 MΩ Min at DC 100V.
- 2.5 Total mating force: 4.5 Kgf Max.
- 2.6 Total unmating force: 1.5 Kgf Min.
- 2.7 Temperature range: Operating: -40°C~+85°C
Storage: -40°C~+105°C

3.Finishes:

- 3.1 Contacts:Gold flashed 1u",3u",5u",10u",15u",30u".
- 3.2 Shell:Tin Plated.



No.	Name	Qty	Material	Remarks & Thickness	Finish
3	Shell	1	Copper alloy	T=0.30mm	Tin Plated
2	Contact	4	Phosphor bronze	T=0.25mm	Gold Flashed
1	Housing	1	PA6T&L.C.P	UL 94-V0	Black/Gray

PART NO:		MATERIAL:	
MODEL NO:		FINSH:	
UNIT: mm	SIZE: A4	COLOR:	

PART NAME:	IEEE 1394 9PIN(F) B TYPE S.M.T
DWG NO:	S/A-353

TOLERANCE UNSPECIFIED	DR: 李霞	CHK: Kevin	APP: Kent
.x	±0.2	06/05/11	06/05/11
.xx	±0.10		
.xxx	±0.05		
ANG.	±1°		

SCALE: 1:1	SHEET: 1 of 1	REV: A0
------------	---------------	---------

PCB LAYOUT
