

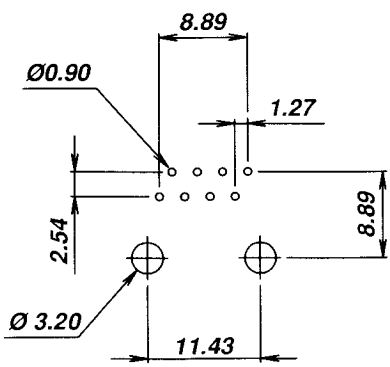
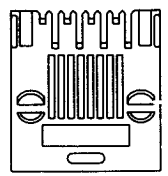
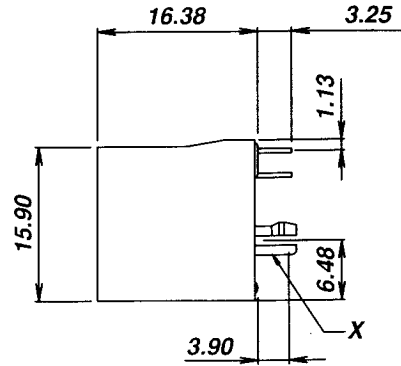
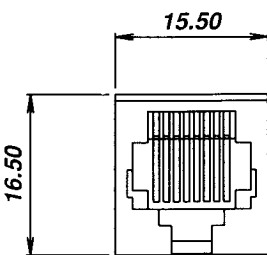
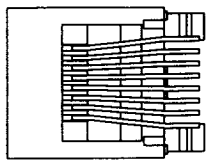
SPECIFICATION :

1. Electrical Char.

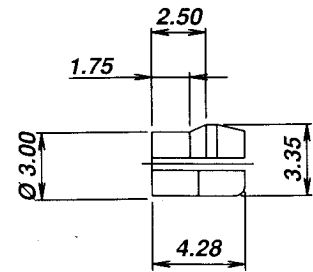
- Insulation Resistance : 500M-Ohm Min.
- Contact Resistance : 20milli-Ohm Max.
- Rating Current : 1.5A Max.
- Rating Voltage : 120V AC
- Dielectric Voltage : 1,000 Vrms 60 Sec. Min.

2. Physical char.

- Housing : PBT Glass Filled (UL 94V-0)
- Color : Black Color
- Spring Wire : 0.45mm Dia. Phosphor Bronze
- Gold Plating Over Nickel
- Temperature Range : - 25 /+90 Deg C
- Durability : 500 Mating cycles Min.



PCB LAYOUT
(Top View)



DETAIL X

AJ-012-8-F-X-N ← **FLANGELESS**

F=8p8c

Gold plated

1=15u , 2=30u
3=50u , 4= 6 u

TITLE	
RJ45 SIDE ENTRY PCB JACK UL & cUL FILE NO. E131820	
MODULAR JACKS ASSY FOR AJ-012-8-F-X-N	
SCALE SIZE DWG. NO. 9628 SERIES	

NOT SCALED DRAWING	TOLERANCE UNLESS OTHERWISE NOTICE	INCH	MM	DR.	DATE
THIRD ANGLE PROJECTION	LINEAR	00±0.01 000±0.005 0000±0.002	00±0.25 000±0.13 0000±0.05	Steven Johnn Billy	MAY-19 '05 MAY-19 '05 MAY-19 '05
	ANGLE +0°30'	RADIL	+0.45 -0.15	APP'D	

DWG. NO. **AS012007**