

AJ-012 Serie

Top Entry - SINGLE PORT

Specifications

Material

Housing: High Strength Thermoplastic Polyester
Contacts: Phosphor Bronze
Contact Plating: Gold Over Nickel On Mating Area, Tin-lead Alloy On Tails
Shield: Copper Alloy, Tin Plated

Electrical

UL & cUL File: E131820
FCC File: E149026

Ordering Information

AJ-XXX-X-X

NUMBER OF POSITIONS

012-4 4 Positions
012-6 6 Positions
012-8 8 Positions
012-7 6 Positions (Non Shielded)
012-9 8 Positions (Non Shielded)
012-7SH 6 Positions (Shielded)
012-9SH 8 Positions (Shielded)

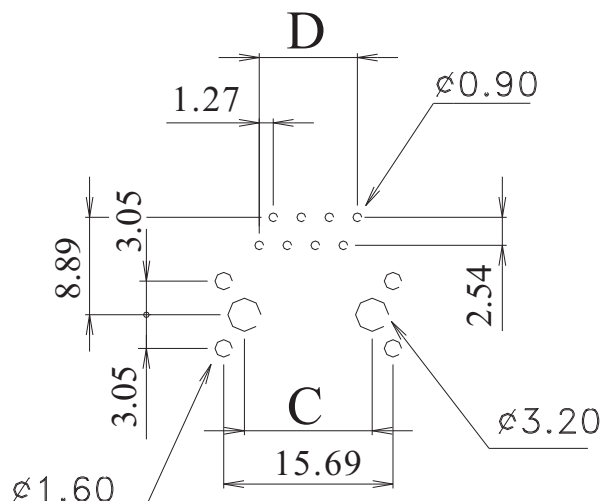
GOLD PLATING

1 = 15u, 3 = 50u
2 = 30u, 4 = 6u

NUMBER OF POSITIONS & CONTACTS

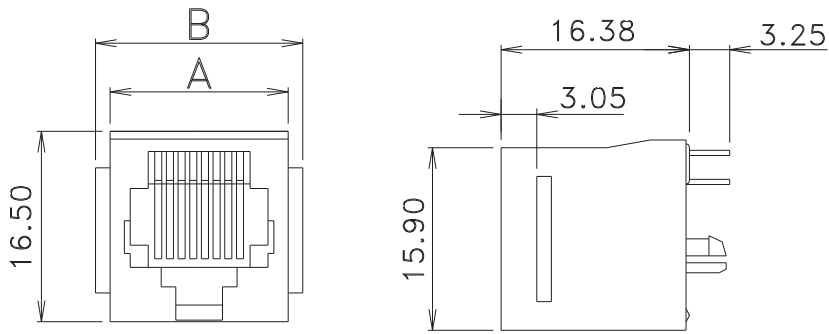
A = 4p4c
B = 6p2c, C = 6p4c, D = 6p6c
F = 8p8c

PCB Layout

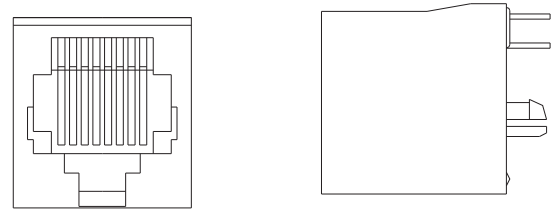


AJ-012 Serie

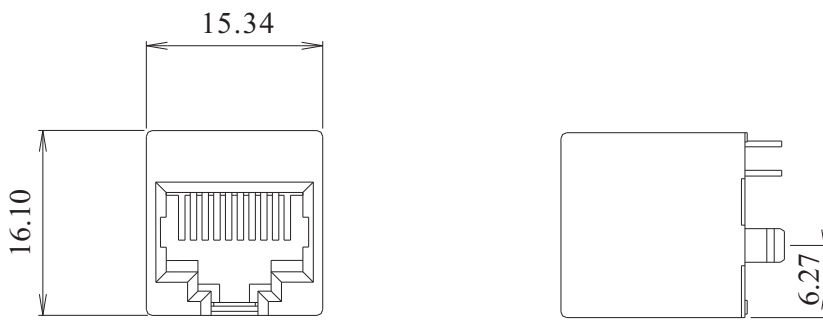
Top Entry - SINGLE PORT



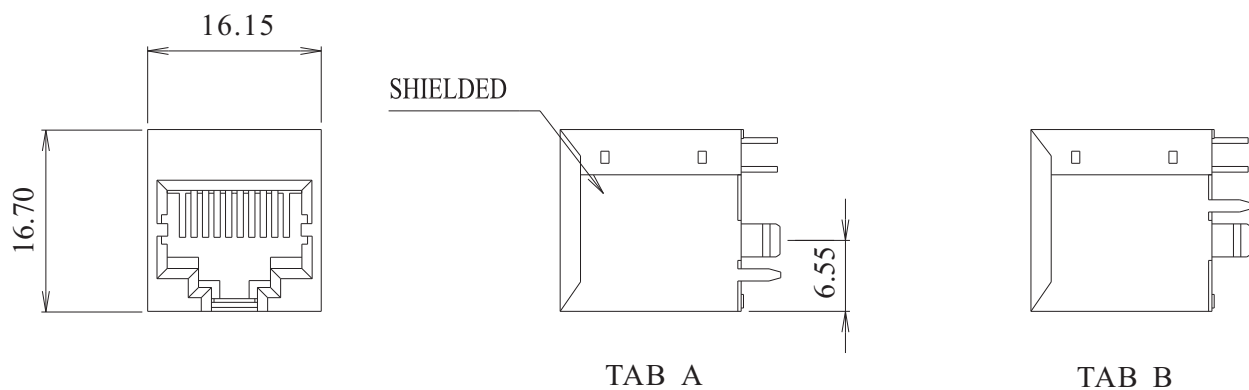
FLANGELESS



NON SHIELDED



SHIELDED



Number Of positions	A	B	C	D
4	11.43	13.97	7.62	3.81
6	13.46	16.00	10.16	6.35
8	15.36	17.84	11.80	8.89