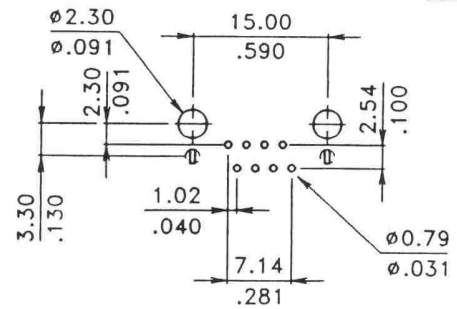
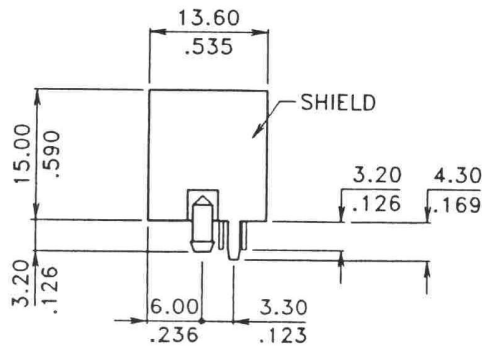
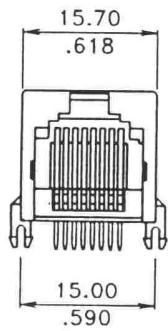


SHIELD P.C.B. JACKS

LOW PROFILE RJ45 8P8C P.C.B JACK

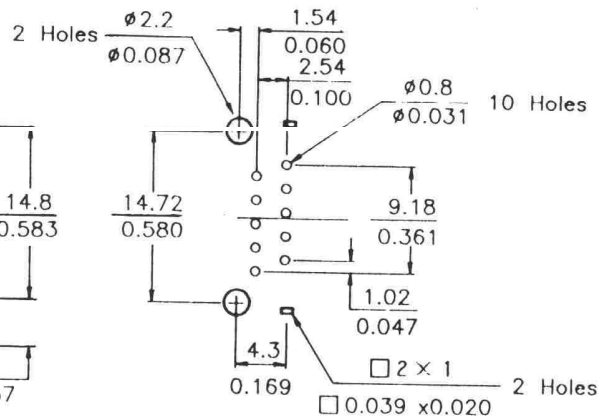
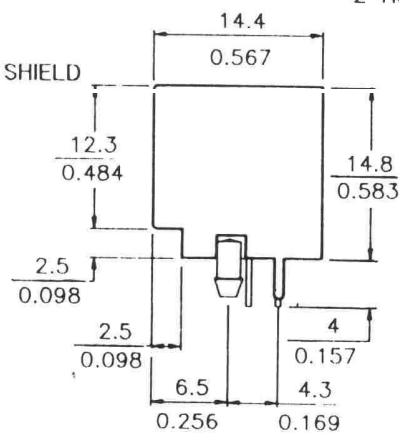
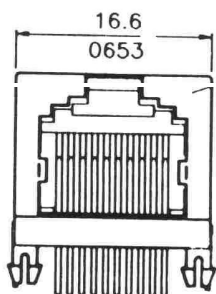
9619-S SERIES (AJ-026-8SH)



PC Board Layout

LOW PROFILE RJ45 10/100 P.C.B JACK

9610-S SERIES (AJ-029SH)



MATERIAL

Housing: Standard Material
Glass Filled Polyester UL94V-0
Standard Colour: Black.

Contact: 0.46mm Diameter Phosphor Bronze
Gold Plating Over Nickel

ORDERING NUMBER FORMULA

Port Number	No. of Positions	No. of Contacts	Gold Plated
AJ-026-8SH-F-1	8	8	15 μ
AJ-026-8SH-F-2	8	8	30 μ
AJ-026-8SH-F-3	8	8	50 μ
AJ-026-8SH-F-4	8	8	6 μ
AJ-029SH-F-1	8	8	15 μ
AJ-029SH-F-2	8	8	30 μ

Port Number	No. of Positions	No. of Contacts	Gold Plated
AJ-029SH-F-3	8	8	50 μ
AJ-029SH-F-4	8	8	6 μ
AJ-029SH-G-1	10	10	15 μ
AJ-029SH-G-2	10	10	30 μ
AJ-029SH-G-3	10	10	50 μ
AJ-029SH-G-4	10	10	6 μ