

AJ-040 Serie

PCB Socket Side Entry - SINGLE PORT

Specifications

Material

Housing : High Strength Thermoplastic
Polyester
Contacts : Phosphor Bronze
Contact Plating : Gold Over Nickel On Mating
Ared, Tin-lead Alloy On Tails
Shield : Copper Alloy, Tin Plated

Electrical

UL & cUL File : E131820
FCC File : E149026

Ordering Information

AJ-XXX-X-X-X-X-X-X

NUMBER OF POSITIONS

040 8 Positions
040SH - 8P (Shielded)

NUMBER OF PORTS
1 to 8 Ports

NUMBER OF POSITIONS & CONTACTS

F = 8p8c, H = 8p4c

Shielded Tab
A - Tab A
B - Tab B

GOLD PLATING

1 = 15u
2 = 30u
3 = 50u
4 = 6 u

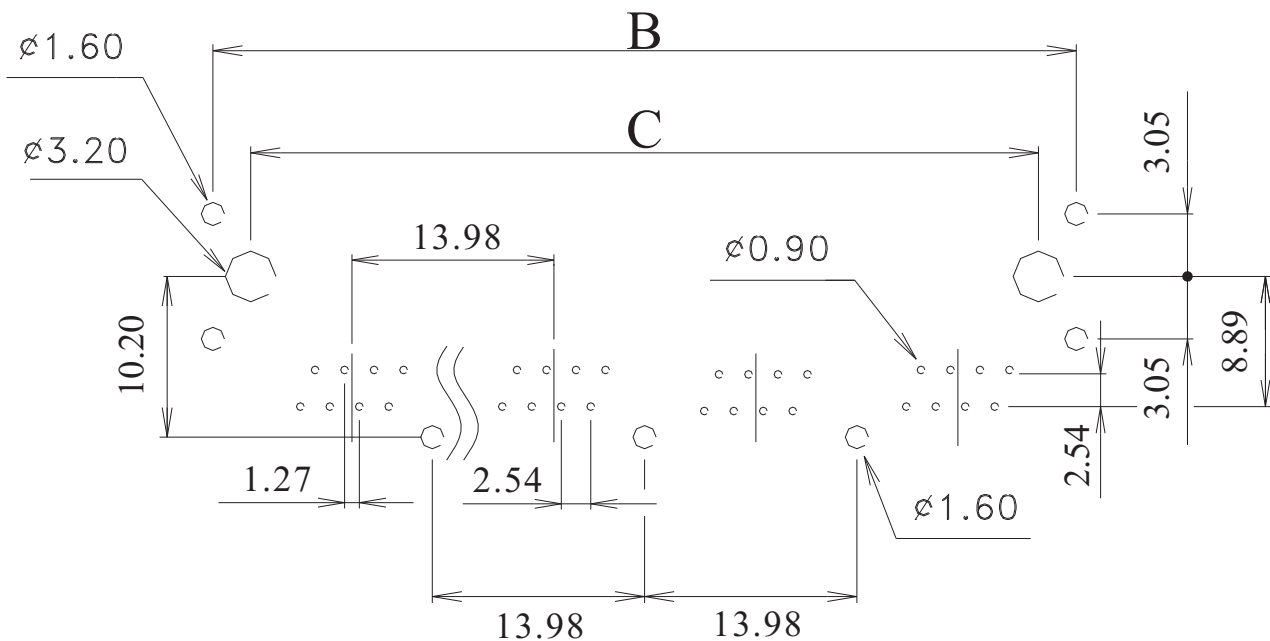
FB - Filtered
C5 - Category 5

The Style
Of Shield

N-Nickel Platd Shield T-Tine Platd Shield

1-Non-Panel Ground
2-Top Side With Panel Ground
3-Top & Bottom 2 Sides With Panel Ground
4-Top & Left & Right 3 Sides With Panel Ground
5-Top & Bottom & Left & Right 4 Sides With Panel Ground

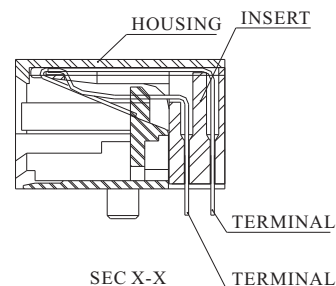
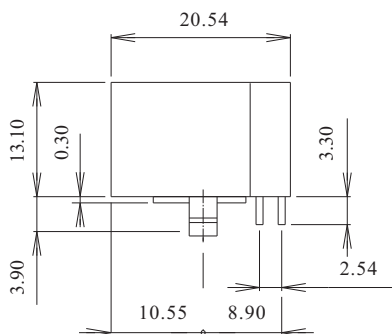
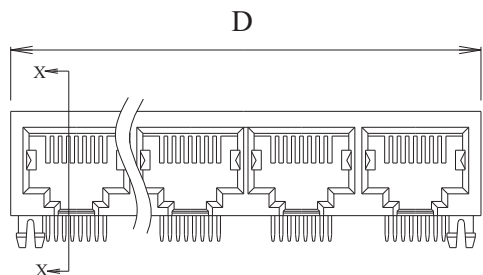
PCB Layout



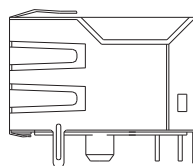
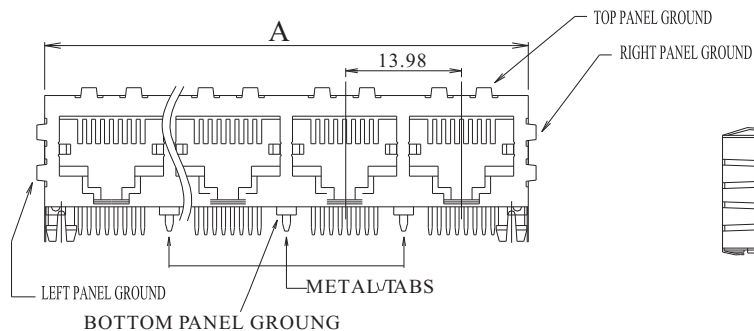
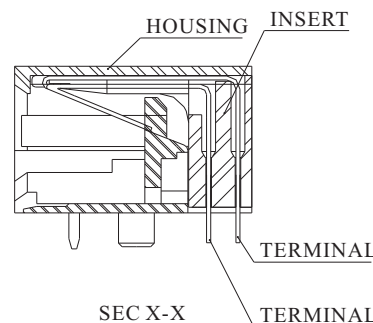
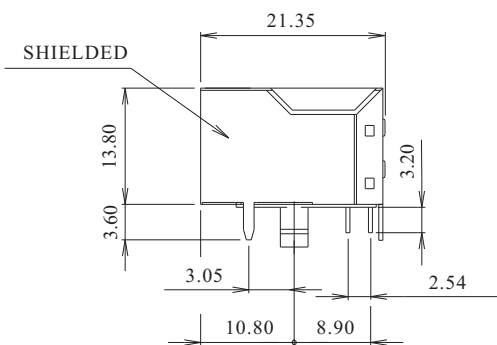
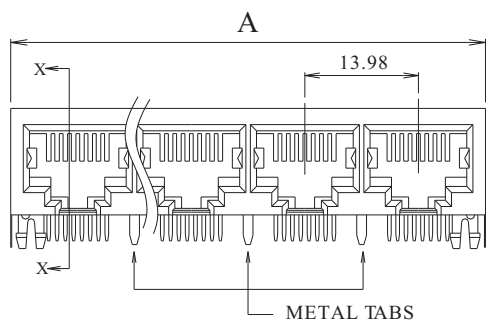
AJ-040 Serie

PCB Socket Side Entry - SINGLE PORT

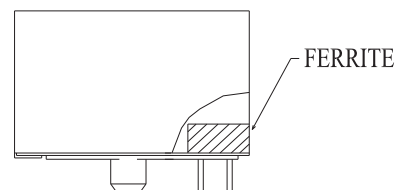
Category 5



Category 5A



Ferrite



Number
Of ports

2

3

4

5

6

8

A

31.14

59.10

87.06

115.02

B

30.84

44.82

58.80

72.78

86.76

114.72

C

25.40

39.37

53.34

67.31

81.28

109.22

D

30.48

44.45

58.42

72.39

86.36

114.30