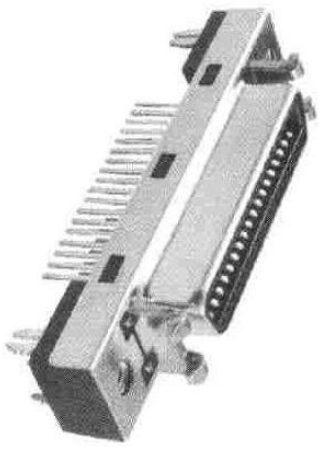
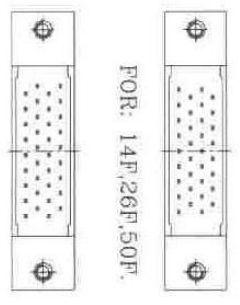
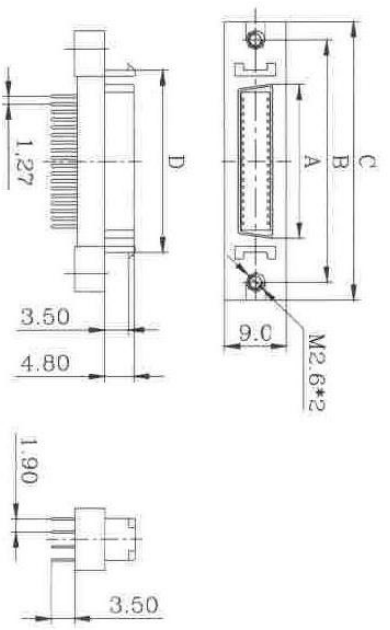


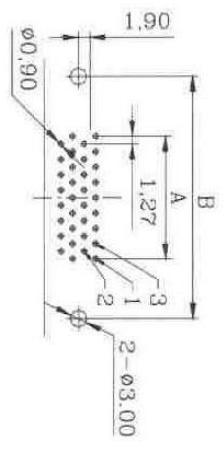
2179 Series:
SCSI, Ribbon Type,
Straight



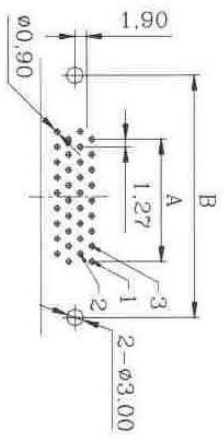
2179-436-001-000
Contacts: 14~100
Mates with: 2182 Series



FOR: 14F, 26F, 50F,
20F, 36F, 40F, 68F,
80F, 100F.



PCB Layout for:
14F, 26F, 50F.



PCB Layout for:
20F, 36F, 40F, 68F, 80F, 100F.

POSITIONS	A	B	C	D
20F	16.65	27.45	33.60	21.05
36F	26.81	37.61	43.76	31.21
40F	29.35	40.15	46.30	33.75
60F	42.05	52.85	59.00	46.45
68F	47.13	57.93	64.80	51.53
80F	54.75	65.55	71.70	59.15
100F	67.45	78.25	84.40	71.85

POSITIONS	A	B	C	D
14F	12.84	23.64	29.79	17.24
26F	20.46	31.26	37.41	24.86
50F	35.70	46.50	52.65	40.10