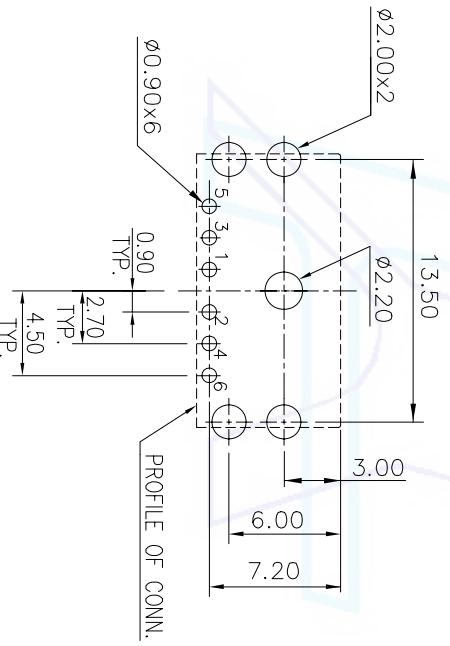
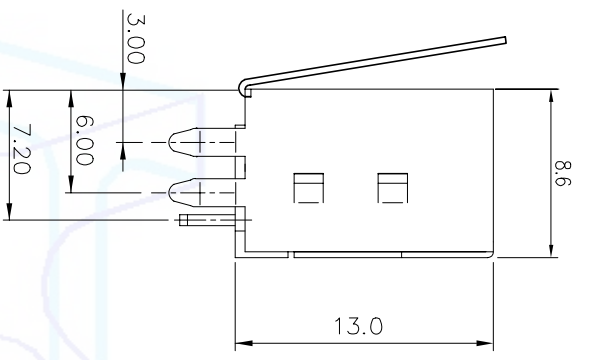
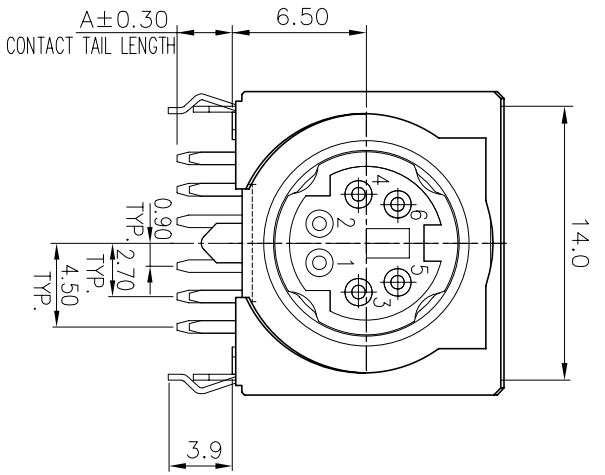


REVISED	NO	APPD
A	DWG	REL



RECOMMENDED PCB LAYOUT  
( TOP VIEW )

NOTES:

- MATERIAL : THERMOPLASTIC, GLASS FIBER FILLED  
UL 94V-0 RATED.  
CONTACT : PHOSPHOR BRONZE  
SHIELD : SEE SHELL MATERIAL  
GROUNDING: STAINLESS STEEL
- FINISH :  
CONTACT : SEE PRODUCT NO. DESCRIPTION  
SHIELD : SEE PRODUCT NO. DESCRIPTION
- PRODUCT NO. DESCRIPTION:

- SHELL PLATED/MATERIAL
- N: NICKEL(C2680R-H)
- S: Sn(C2680R-H)
- Z: NONE PLATED(C7521R-H)

- CONTACT TAIL LENGTH
- 1:A=2.2 mm
- 2:A=2.5 mm
- 3:A=3.18 mm

- MARK
- 00: NO MARK
- HOUSING COLOR
- 0: WHITE
- 1: BLACK
- 3: YELLOW
- 4: GREEN
- 5: PURPLE
- HOUSING MATERIAL
- 0: PBT
- 3: PA46
- 4: LCP
- 6: PA6T
- 9: PA9T
- GOLD PLATED
- 1: G/F
- 2: 3u"
- 3: 30u"
- 5: 15u"

INTENDED USE	QTY	FINISH	FILE NO.	TITLE
			45-048A	MINI DIN CONNECTOR SHORT BODY
PART NO.			APPD: M. Man. 07/24/08	DWG NO.:
AQX6X6XXXG4XX			CHKD: M. Man. 07/24/08	45-0001-048
TOLERANCES			DR: M. Man. 07/24/08	REV:
.X ± 0.35 .X ±				A
.XX ± 0.25 .XX ±				SCALE
				SHEET 1 OF 1

CUSTOMER DRAWING