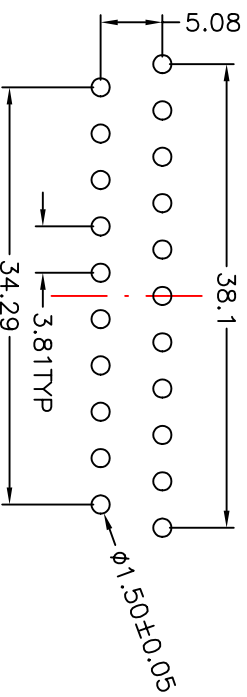
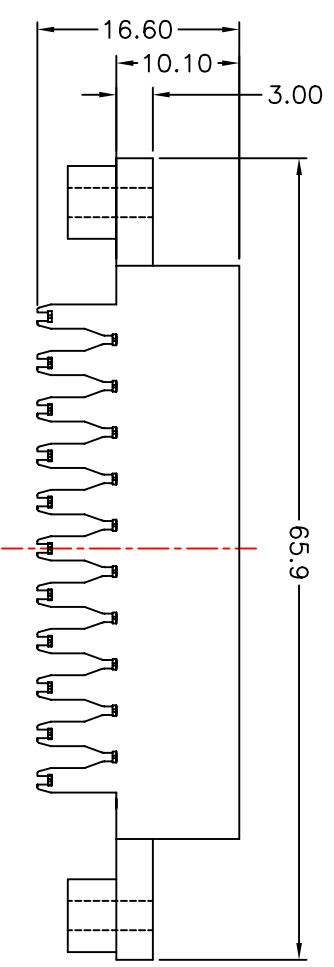
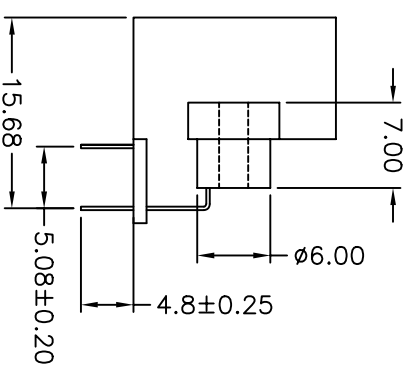
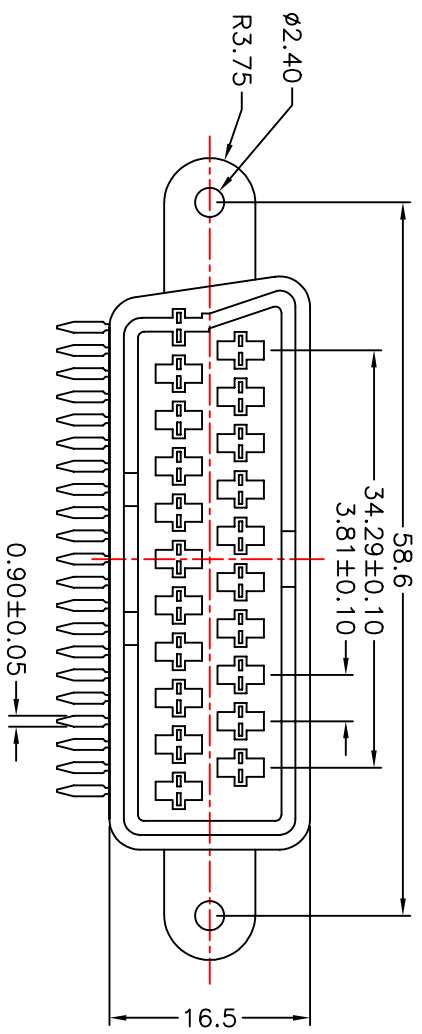


REV.	NOTES	DATE
A	RELEASED	2006/12/21



- NOTES:
1. MATERIALS
- 1.1 Insulator: Pc UL94V-0
- 1.2 Contact: Brass
- 1.3 Contact Plating: Tin Plated
2. SPECIFICATIONS
- 2.1 Current Rating: 3.0Amp
- 2.2 Contact Resistance: 25mΩ Max
- 2.3 Dielectric Strength: 1000V AC for one minute
- 2.4 Insulator Resistance: 1000MΩ Min. (at 500V DC)
- 2.5 Operation Temperature: -55°C TO +105°C

DIMENSIONS TOLERANCE		圖名 (NAME)	
METRIC	0 = ±.3	料號 (PART NUMBER)	ASC+0330-40CB2
	.00 = ±.20	圖號 (DRAW NUMBER)	RASC033040CB2
	.0000 = ±.XXX	圖檔 (FILE NAME .DWG)	E:GCT/A/SC/03
	ANG. = ±2°	比例 (SCALE)	1/1
		圖紙 (S/DWG)	A4
		頁次 (SHEET)	1
		版本 (REV.)	A
單位 (UNITS)	mm		
數量 (QTY)	N/A		
材料 (MATERIAL)	SEE NOTE		
處理 (FINISH)	SEE NOTE		
繪圖 (DRAW)			
設計 (DE'N)			
審核 (CHK'K)			
核准 (APP'D)			

90度母座圓耳錫B型 PC 無腳 無毒

PCB LAYOUT