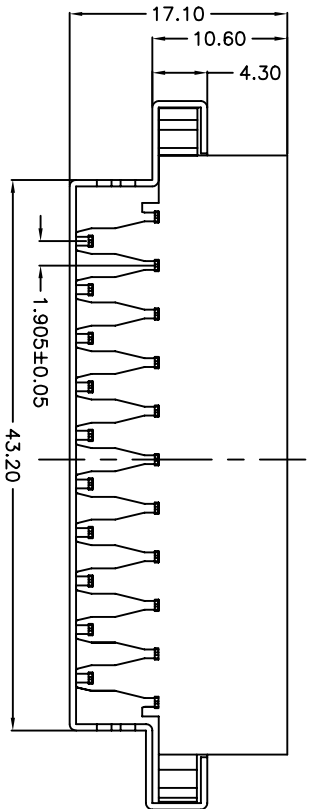
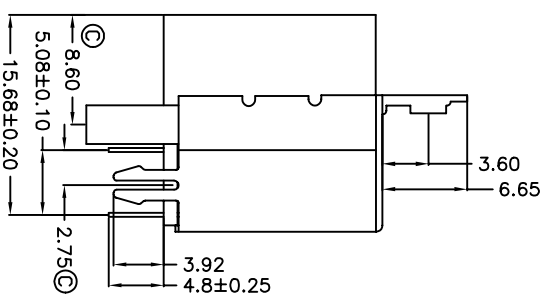
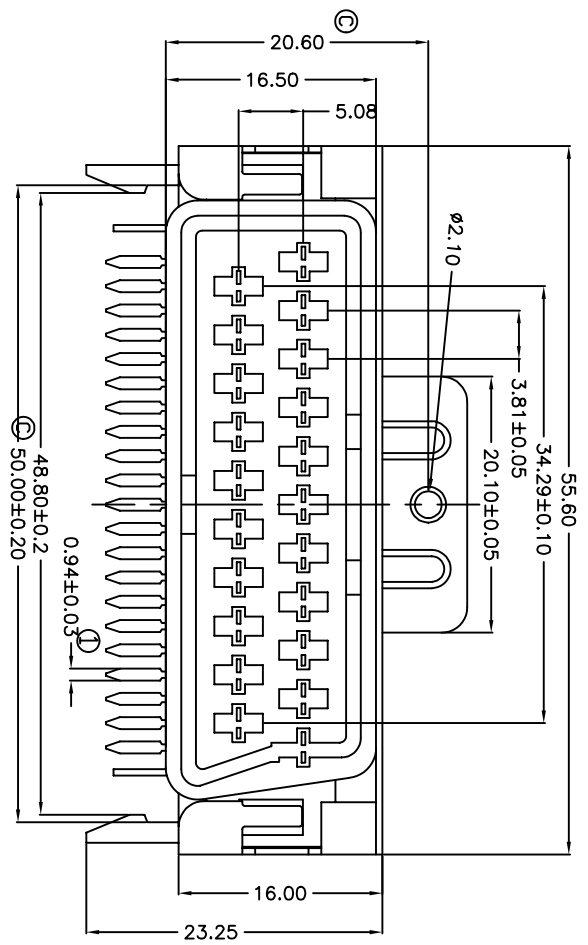
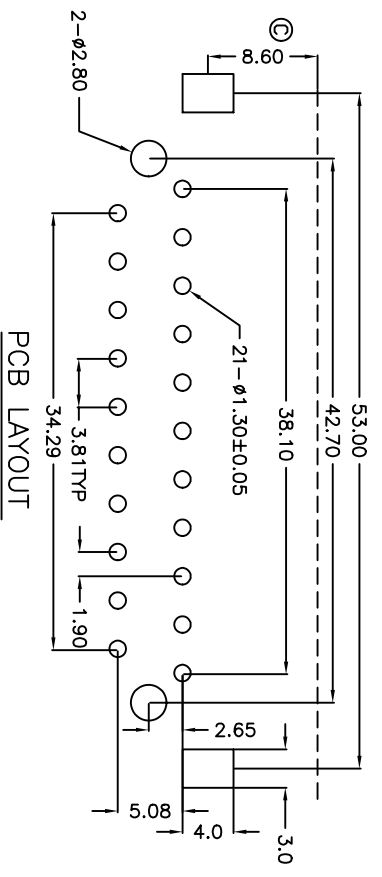


REV.	NOTES	DATE
A	RELEASED	2004/08/09
B	① 0.90±0.05 ⇔ 0.94±0.03	2004/08/13
C	⊕ 增加尺寸	2006/08/18



- NOTES:
- MATERIALS
 - Insulator: Pc
 - Contact: Brass
 - Contact Plating: Tin Plated
 - SPECIFICATIONS
 - Current Rating: 5Amp
 - Dielectric Strength: 1000V AC for one minute
 - Insulator Resistance: 5000MΩ Min. (at 500V DC)
 - Operation Temperature: -55° C to +105° C



DIMENSIONS TOLERANCE

METRIC

0 = ±.3
 .00 = ±.20
 .0000 = ±.XXX
 ANG. = ±2°

單位 (UNITS)	mm
數量 (QTY)	N/A
材料 (MATERIAL)	SEE NOTE
處理 (FINISH)	SEE NOTE
繪圖 (DRAW)	
設計 (DE'N)	
審核 (CHK)	
核准 (APP'D)	

圖名 (NAME)	
料號 (PART NUMBER)	ASC+0350-40C6
圖號 (DRAW NUMBER)	RASC035040C6
圖檔 (FILE NAME .DWG)	E:GCT/A/SC/03
比例 (SCALE)	1/1
圖紙 (SHEET)	A4
頁次 (SHEET)	1
版本 (REV.)	C

90度母座有柱有孔錫反向
 PC 無毒 有凸點加鐵殼

PCB LAYOUT