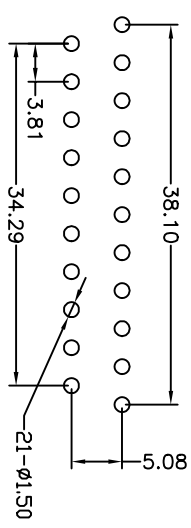
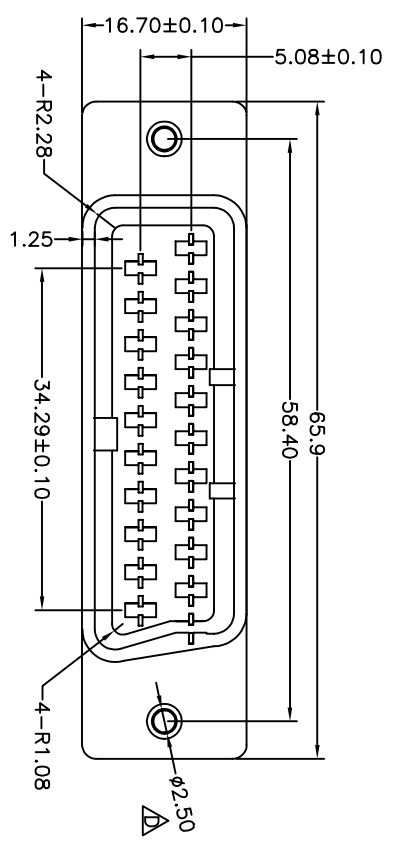
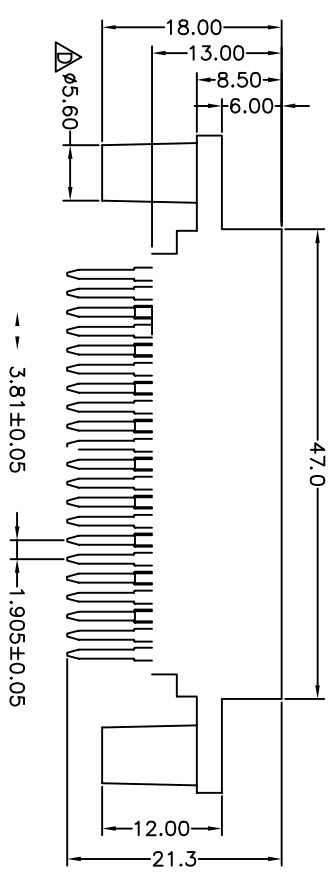


REV.	NOTES	DATE
A	RELEASED	2005/10/19
B	依ECR修改尺寸	2006/05/05
C	增加料號:ASC+0810-40CH	2006/08/04
D	Ø1.80變更爲Ø2.2;14.54變更爲14.15;增加尺寸	2007/01/05

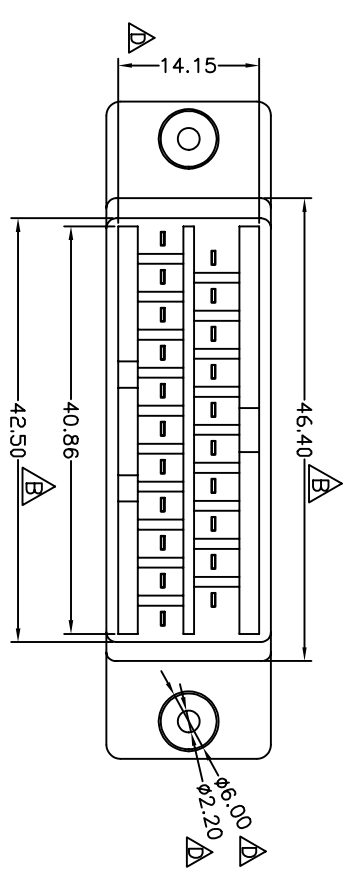


RECOMMEND P.C.BOARD LAYOUT



- NOTES:
- MATERIALS
 - Insulator:PC
 - Contact:Brass, 0.3T
 - SPECIFICATIONS
 - Current Rating: 3 Amp
 - Dielectric Strength:1000V AC for one minute
 - Insulator Resistance:1000M ohms Min
 - Contact Resistance:25m ohms Max
 - Operation temperature:-55°C to +105°C
 - INSERTION FORCE:9.0kg max
 - EXTRACTION FORCE:1.5kg min

PART NO.	CONTACT PLATING	COLOR
ASC+0810-40C	TIN PLATED	BLACK
ASC+0810-10C	PLATED GOLD	BLACK
ASC+0810-40CH	TIN PLATED	GRAY



單位 (UNITS)	數量 (QTY)	材料 (MTR'L)	處理 (FINISH)	繪圖 (DRAW)	設計 (DE'N)	審核 (CHK)	核准 (APP'D)

DIMENSIONS TOLERANCE			
METRIC			
0 = ±.3			
.00 = ±.20			
.000 = ±.XXX			
.0000 = ±			
ANG = ±2°			

圖名 (NAME)	料號 (PART NUMBER)	圖號 (DRAW NUMBER)	圖檔 (FILE NAME .DWG)
A	ASC+0810-40C	RASC081040C	D:\ZSB\CP1

比例 (SCALE)	圖紙 (SHEET)	頁次 (SHEET)	版次 (REV.)
1/1	A4	1	D