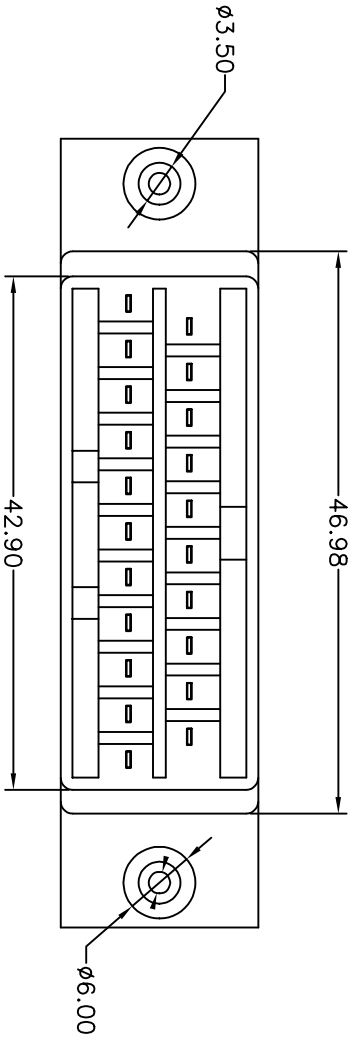
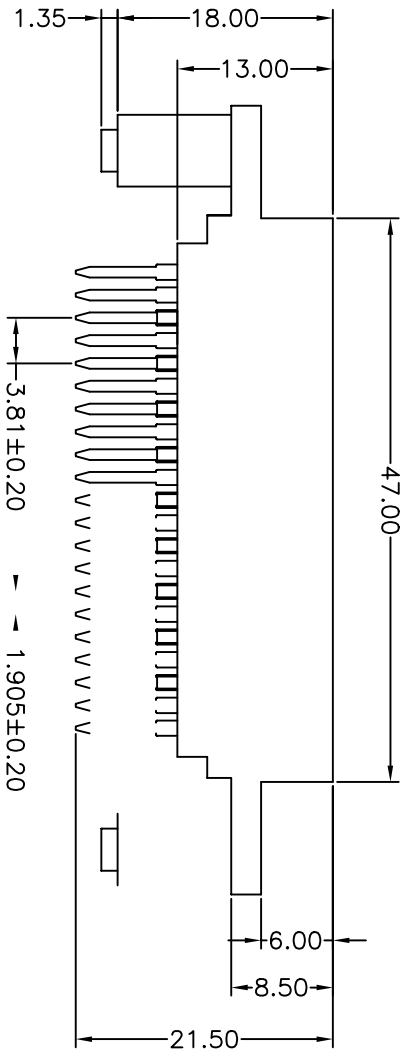
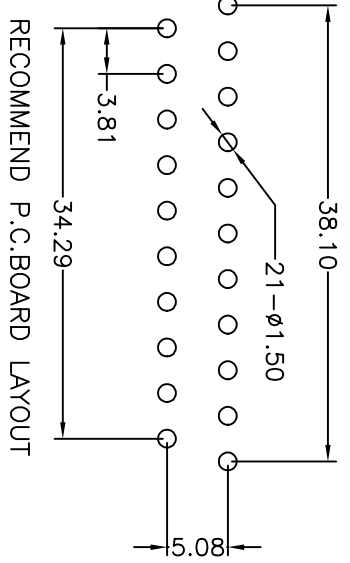
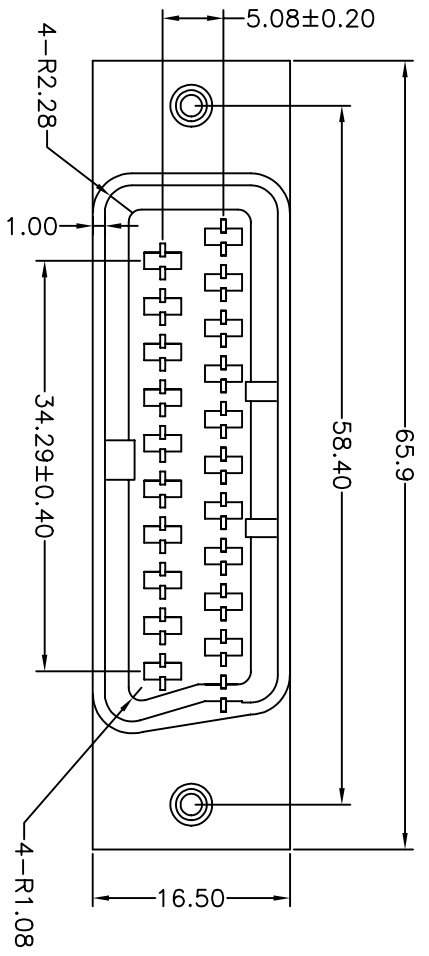


REV.	NOTES	DATE
A	RELEASED	2004/04/16
B	修改圖面	2004/09/14



- NOTES:
- MATERIALS
 - Insulator:PC
 - Contact:Brass, 0.3T
 - SPECIFICATIONS
 - Current Rating: 3Amp
 - Dielectric Strength:1000V AC for one minute
 - Insulator Resistance:5000 M ohms Min
 - contact Resistance:30m ohms Max
 - Operation temperature:-55°C to +105°C
 - INSERTION FORCE:<5kg
 - EXTRACTION FORCE:>1.5kg

DIMENSIONS TOLERANCE

METRIC
0 = ±.3
.00 = ±.20
.0000 = ±.XXX
ANG. = ±2°

單位 (UNITS)	數量 (QTY)	材料 (MATERIAL)	處理 (FINISH)	圖名 (NAME)
SEE NOTE	SEE NOTE	SEE NOTE	SEE NOTE	180度母座錫有耳(加固定柱)
繪圖 (DRAW)				
設計 (DE'N)		料號 (PART NUMBER)	ASC+0810-40C1	
審核 (CHK)		圖號 (DRAW NUMBER)	RASC081040C1	
核准 (APP' D)		圖檔 (FILE NAME .DWG)	E:GCT/AV/SC/08	
		比例 (SCALE)	1/1	
		圖紙 (SHEET)	A4	
		頁次 (SHEET)	1	
		版本 (REV.)	B	