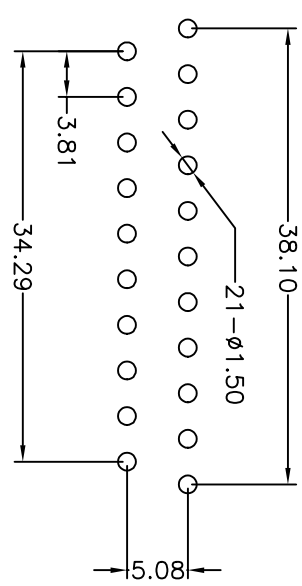
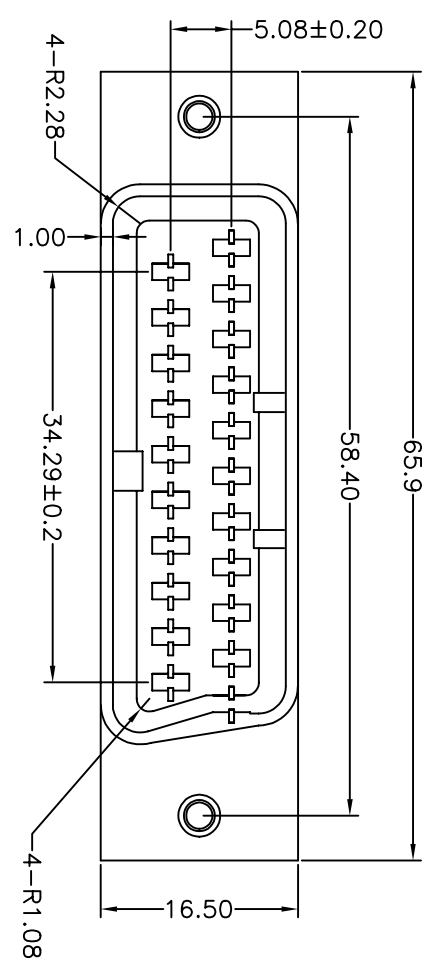
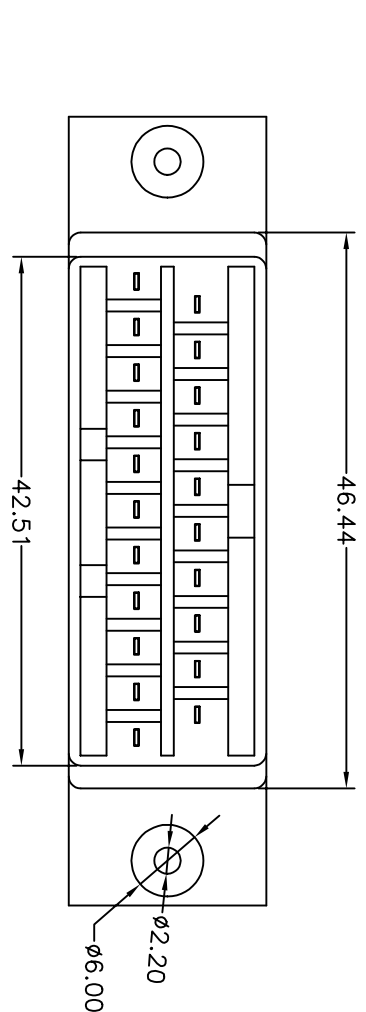


REV.	NOTES	DATE
A	RELEASED	2006/01/10



RECOMMEND P.C. BOARD LAYOUT

- NOTES:
- MATERIALS
 - Insulator:PC
 - Contact:Brass, 0.3T
 - SPECIFICATIONS
 - Current Rating: 3Amp
 - Dielectric Strength:1000V AC for one minute
 - Insulator Resistance:1000 M ohms Min
 - Insulator Resistance:30m ohms Max
 - Operation temperature:-55°C to +105°C
 - INSERTION FORCE:<5Kg
 - EXTRACTION FORCE:>1.5kg



DIMENSIONS TOLERANCE		METRIC	
0 = ±.3		0 = ±.3	
.00 = ±.20		.00 = ±.20	
.0000 = ±.XXX		.0000 = ±.XXX	
ANG. = ±2°		ANG. = ±2°	
單位 (UNITS)	mm	數量 (QTY)	N/A
材料 (MTR'L)	SEE NOTE	處理 (FINISH)	SEE NOTE
繪圖 (DRAW)		圖名 (NAME)	180度母座金 有耳 螺絲孔直徑2.2 PC 無毒
設計 (DE'N)		料號 (PART NUMBER)	ASC+0810-10C1
審核 (CHK)		圖號 (DRAW NUMBER)	RASC081010C1
核准 (APP'D)		圖檔 (FILE NAME .DWG)	E:GCT/ASC/08
		比例 (SCALE)	1/1
		圖紙 (SHEET)	A4
		頁次 (SHEET)	1
		版次 (REV.)	A