

2X32/3X32 IDC 线缆连接器 1810 系列

2x32/3x32 IDC cable connector 1810 Series



特点

此类连接器可提供快捷, 经济及高效的连接
 双排或三排
 引脚间距: 标准 2.54mm
 引脚为IDC连接方式

电气特性

额定电流: 1 A
 接触电阻: 20 m
 绝缘电阻: 1000 M
 耐电压: 1000 V.r.m.s.

机械特性

插入力: 0.75 N/pin
 拔出力: 0.15 N/pin
 适用环境: - 55 ~ + 125

Features

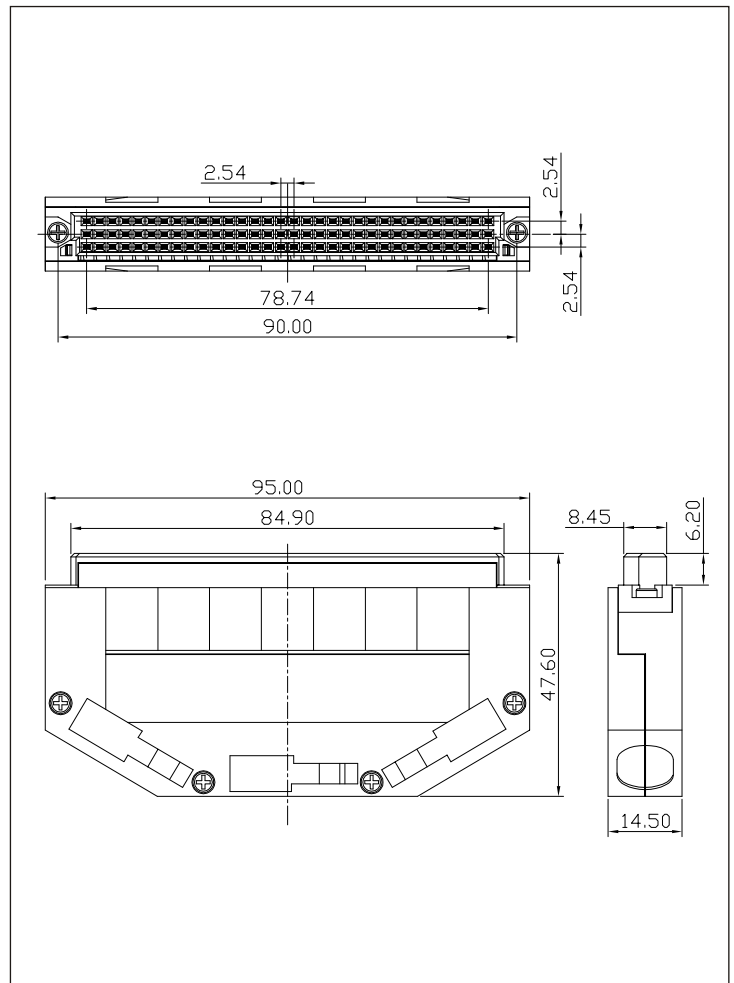
The contacts offers quick efficient and
 And economic termination possibilities.
 Double or triple are available.
 Pitch: standard 2.54mm.
 IDC Contact.

Electrical

Current rating: 1A
 Contact resistance: 20m
 Insulation resistance: 1000 M
 Dielectric withstand voltage: 1000V.r.m.s.

Mechanical

Insertion force: 0.75N/pin
 Extraction force: 0.15N/pin
 Operating temperature: -55 ~ +125



1810 - X32 - XX - X

端子安装形式 (Contact loading pattern)
 1. FULL (A+B+C)
 2. A+C
 X. 客户指定 (Customer specifies)

电镀等级 (Grade of the plating)

代码(code)	触点镀层(Contacts plating)
2	GLASS I
3	GLASS II
4	GLASS III

线规号 (Wire gauge)

代码(code)	线规号(Wire gauge)
1	AWG24/26
2	AWG28/30

引脚代码 (Code of contacts)

代码(code)	定义 (Definition)
332	3x32 IDC Cable connector
232	2x32 IDC Cable connector

1810 系列 (1810 Series)