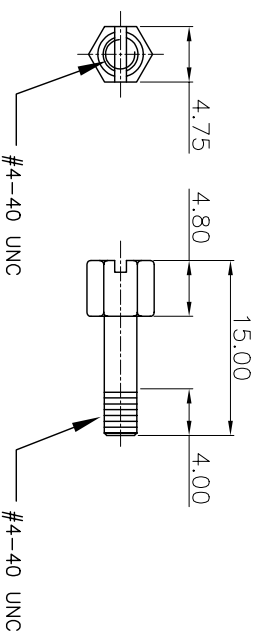
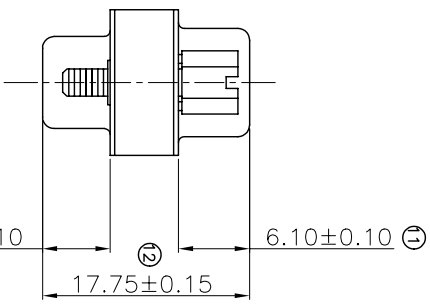
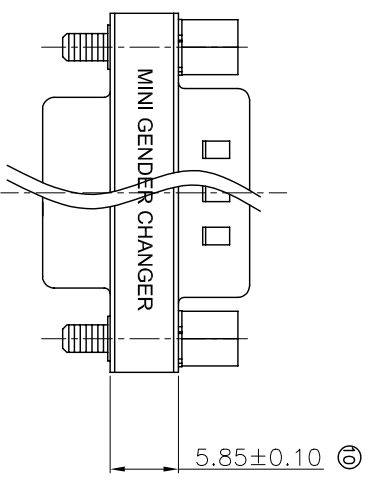
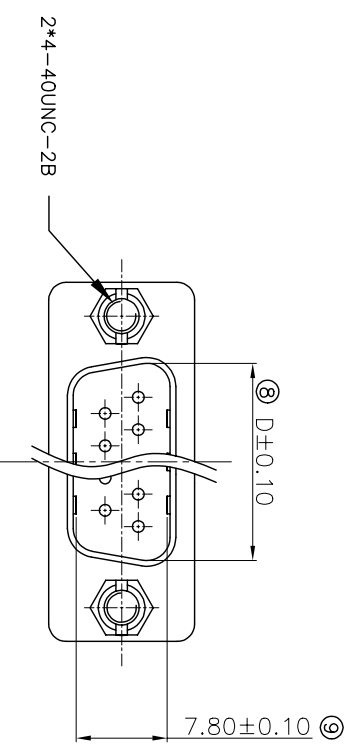
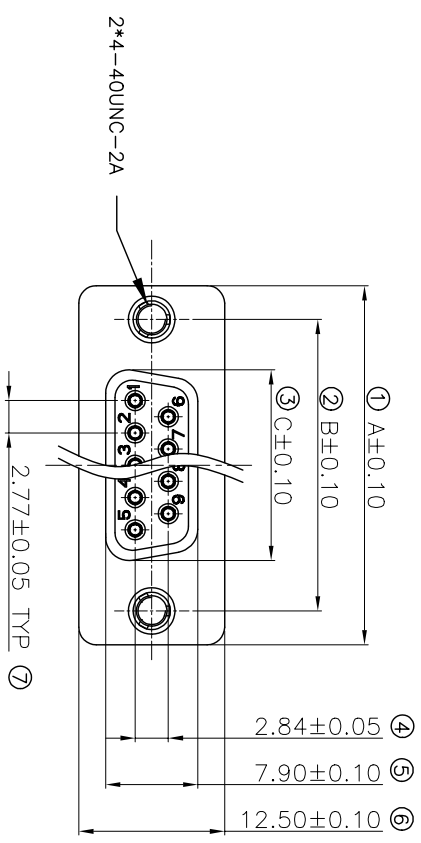


REV	MODIFICATION	DATE	DRAW	APPROVE
A	NEW DWG	2007.08.05	HUANG	KEVIN



Screw specification

NOTES
 MARK ⑩ IS MAJOR TEST DIMENSION
 1: MATERIAL:
 HOUSING: P BT+30%G.F, BLOVE, UL94V-0
 CONTACT: BRASS
 2: FINISH:
 CONTACT PLATING: GOLD PLATED
 3: SPECIFICATION:
 CURRENT RATING: 5A
 WITHSTANDING VOLTAGE: AC 1000V 5s
 INSULATION RESISTANCE: 1000M Ω 500V DC
 OPERATING TEMPERATURE: -55°C~105 °C



PIN NO.	DIM A	DIM B	DIM C	DIM D	P/N
9P	30.80	24.99	16.35	16.92	182-009ZBXPB01
15P	39.20	33.30	24.70	25.25	182-015ZBXPB01
25P	53.05	47.04	38.40	38.96	182-025ZBXPB01

-TOLERANCES-
 公差參考表

UNLESS OTHERWISE SPECIFIED		TITLE:	
X.X ±0.25	X.X° ±3°	產品名稱: DB 1.0 M/F 转接头	
X.XX ±0.15	X.XX° ±1°	APPD: KEVIN	PRODUCT NO: 182-XXXXZBXPB01
X.XXX ±0.05	X.XXX° ±0.5°	CHECK: TENA	產品編號: 182-XXXXZBXPB01
		DRAW: HUANG	DATE: 2007.08.05
			SCALE: FREE
			UNIT: MM
			TYPE: H
			PAGE: 1/1