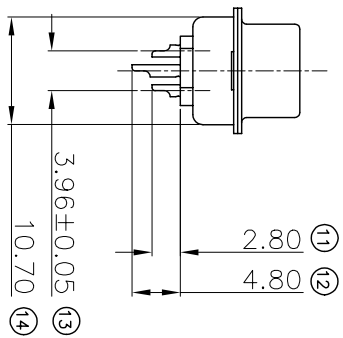
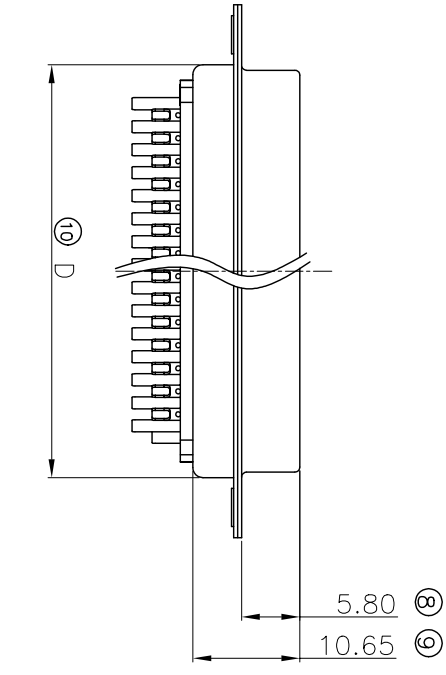
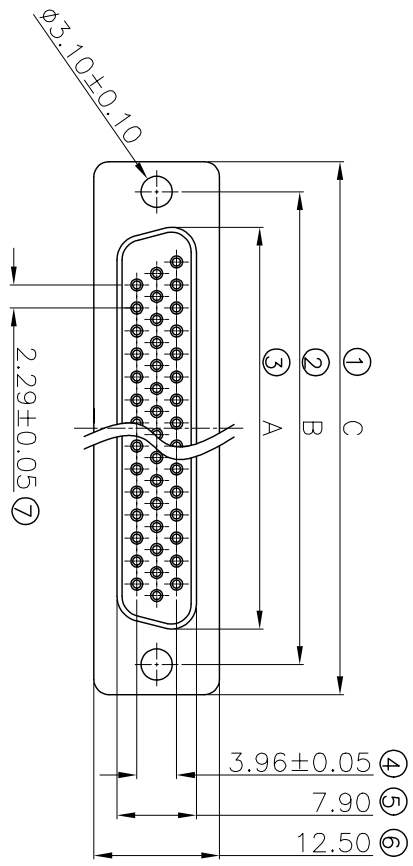


REV	MODIFICATION	DATE	DRAW	APPROVE
A	NEW DWG	07/06/13	HUANG	KEVIN

NOTES
 MARK⊗ IS MAJOR TEST DIMENSION
 1: MATERIAL:
 HOUSING: PBT+30%G.F, BLACK, UL94V-0
 CONTACT: BRASS/PHOSPHOR BRONZE
 2: FINISH:
 CONTACT PLATING: 100μ" TIN-LEAD OVER
 50μ" NICKEL.
 3: SPECIFICATION:
 CURRENT RATING: 5A
 WITHSTANDING VOLTAGE: AC 1000V 1MINUTE
 INSULATION RESISTANCE: 1000MΩ 500V DC
 OPERATING TEMPERATURE: -55°C~105°C



PIN NO.	A	B	C	D	P/N
15P	16.35	24.99	30.80	19.20	153-015FBXPK01
26P	24.70	33.30	39.20	27.70	153-026FBXPK01
44P	38.40	47.04	53.05	41.10	153-044FBXPK01
62P	55.80	63.50	69.40	57.30	153-062FBXPK01

UNLESS OTHERWISE SPECIFIED
 公差參考表

APPD:	APPD:	TITLE:
X.X ±0.25	X.X° ±3°	產品名稱 :HDB 0.76 FEMALE成品
X.XX ±0.15	X.XX° ±1°	PRODUCT NO: 產品編號 : 153-XXXXFBXPK01
X.XXXX ±0.05	X.XXXX° ±0.5°	DATE
		SCALE
		UNIT
		TYPE
		PAGE

REV	MODIFICATION	DATE	DRAW	APPROVE
A	NEW DWG	07/06/13	HUANG	KEVIN