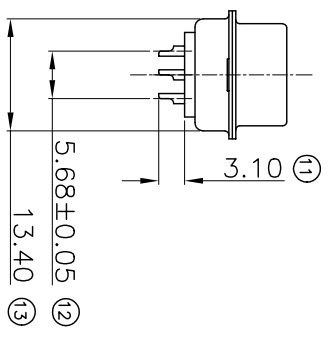
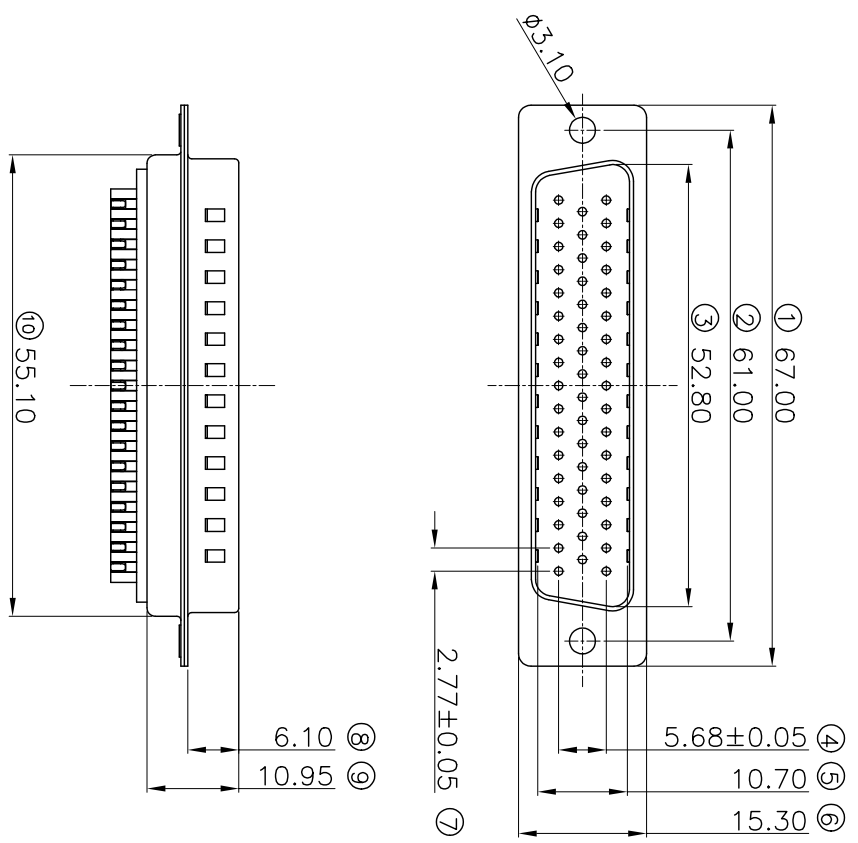


REV	MODIFICATION	DATE	DRAW	APPROVE
A	NEW DWG	07/06/20	HUANG	KVIEN

NOTES  
 1: MATERIAL:  
 HOUSING: PBT+30%GF, BLACK, UL94V-0  
 CONTACT: BRASS/PHOSPHOR BRONZE  
 2: FINISH:  
 CONTACT PLATING: 100μ" TIN-LEAD OVER  
 50μ" NICKEL.  
 3: SPECIFICATION:  
 CURRENT RATING: 5A  
 WITHSTANDING VOLTAGE: AC 1000V 1MINUTE  
 INSULATION RESISTANCE: 1000MΩ 500V DC  
 OPERATING TEMPERATURE: -55°C~105°C



UNLESS OTHERWISE SPECIFIED 公差參考表		TITLE: 產品名稱: HDB 50P MALE 成品	
X.X ±0.25	X.X° ±3°	APPD: 核准: KEVIN	PRODUCT NO: 產品編號: 153-050MBXP01
X.XX ±0.15	X.XX° ±1°	CHECK: 校對: TENA	DATE
X.XXX ±0.05	X.XXX° ±0.5°	DRAW: 繪圖: HUANG	SCALE UNIT TYPE PAGE

1	2	3	4	5	6	7	8	9	10
A	B	C	D	E	F	G	A	B	C