

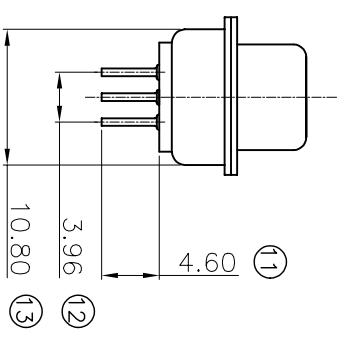
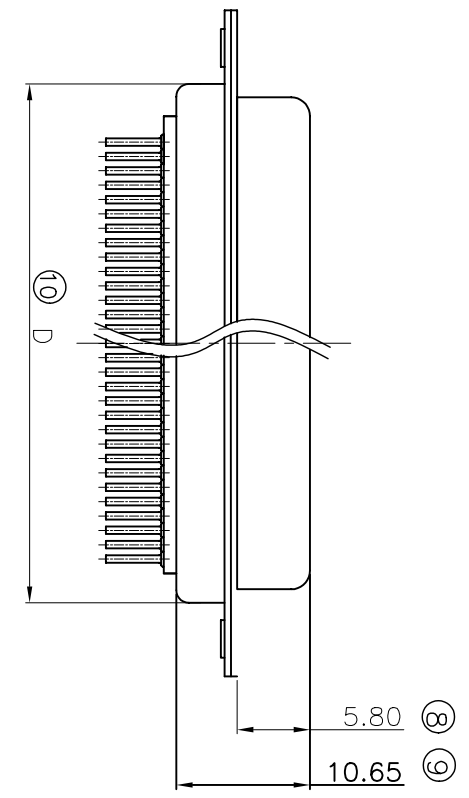
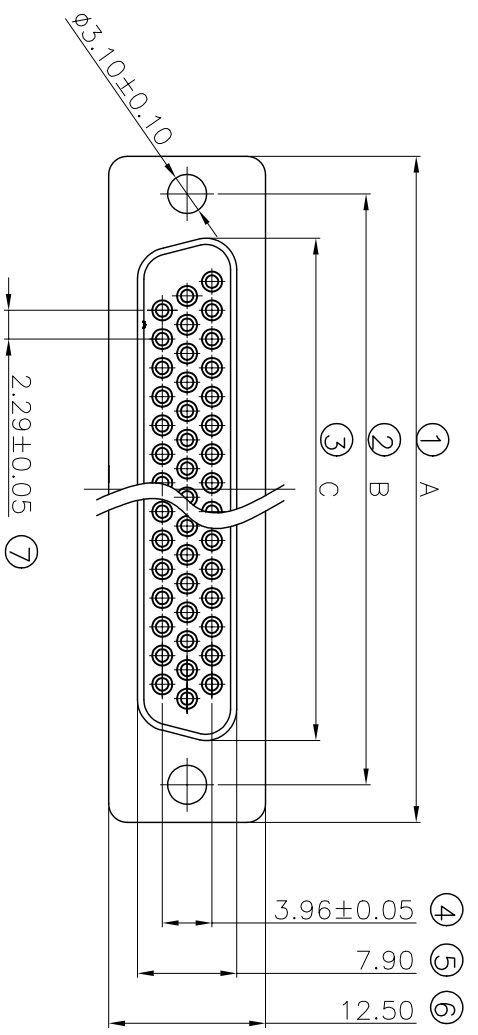
REV	MODIFICATION	DATE	DRAW	APPROVE
A	NEW DWG	07/08/10	HUANG	KEVIN

NOTES

1: MATERIAL: PBT+30%GF, BLACK, UL94V-0  
 HOUSING: BRASS/PHOSPHOR BRONZE

2: FINISH: CONTACT PLATING: 100μ" TIN-LEAD OVER  
 50μ" NICKEL.

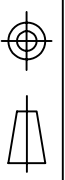
3: SPECIFICATION: CURRENT RATING: 5A  
 WITHSTANDING VOLTAGE: AC 1000V 1MINUTE  
 INSULATION RESISTANCE: 1000MΩ 500V DC  
 OPERATING TEMPERATURE: -55°C~105°C



PIN NO.	DIM A	DIM B	DIM C	DIM D	P/N
15P	30.80	24.99	16.35	19.20	163-015FBXPK01
26P	39.20	33.30	24.70	27.70	163-026FBXPK01
44P	53.05	47.04	38.40	41.10	163-044FBXPK01
62P	69.40	63.50	54.80	57.30	163-062FBXPK01

UNLESS OTHERWISE SPECIFIED  
 公差參考表

X.X ±0.25	X.X° ±3°
X.XX ±0.15	X.XX° ±1°
X.XXX ±0.05	X.XXX° ±0.5°



TITLE: 產品名稱: HDP 0.76 FEMALE 成品

APPD: KEVIN	PRODUCT NO: 163-XXXXFPXPK01
CHECK: TENA	DATE: 2007.08.10
DRAW: HUANG	SCALE: FREE
	UNIT: MM
	TYPE: H
	PAGE: 1/2

1	2	3	4	5	6	7	8	9	10
A	B	C	D	E	F	G			