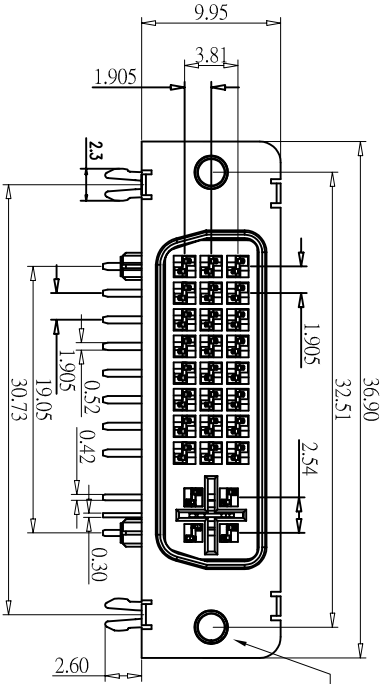
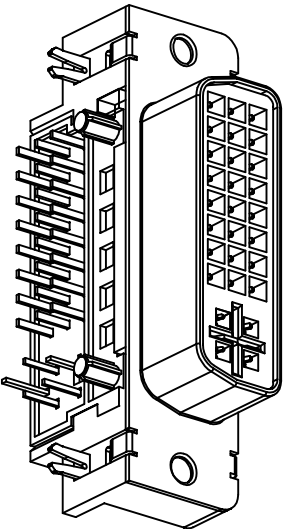


SALES FORMAT

36.90  
32.51  
9.95  
1.905  
3.81  
2.54  
2.3  
1.905  
0.52  
0.42  
0.30  
30.73  
2.60



4#-40UNC



ROHS

REV	DESCRIPTION	MODIFICATION	DEAT
A/0	新制定		05.08.04
A/1	變更一	料號編碼變更	06.05.12

\*MATERIAL

BODY : PB130% UL 94V-0 RATED, COLOR: WHITE  
LATCH : PA66+30% G.F 94V-0 RATED, COLOR: WHITE  
CONTACTS : BRASS  
CONTACT PLATING : GOLD PLATING OVER NICKEL ON CONTACT AREA TIN PLATING ON TERMINAL

\*MECHANICAL

MATING FORCE : 4.5 KG MAX. @ 25 MM/MINUTE  
UNMATING FORCE : 1.0 KG MIN. AND 4.0 KG MAX. @ 25 MM/MINUTE  
DURABILITY : 100 MATING CYCLES

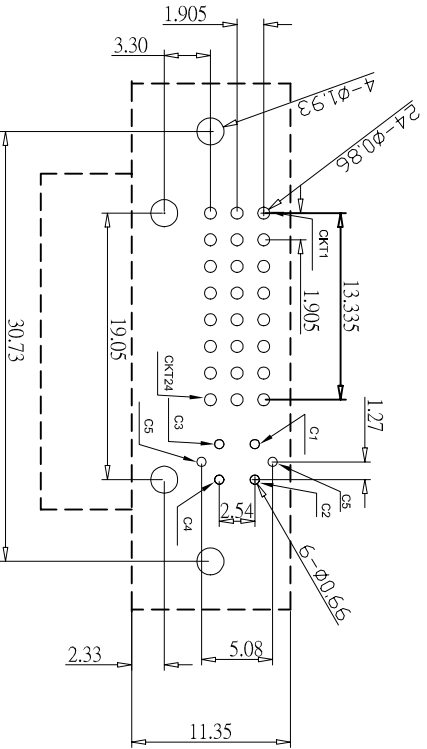
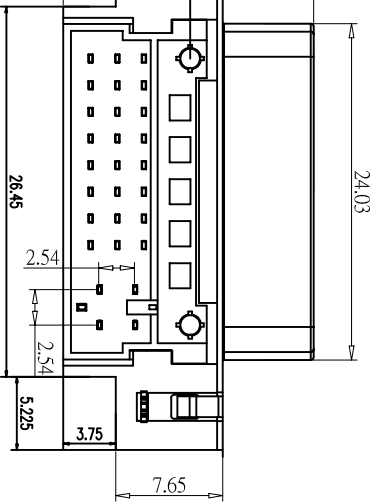
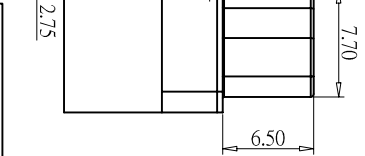
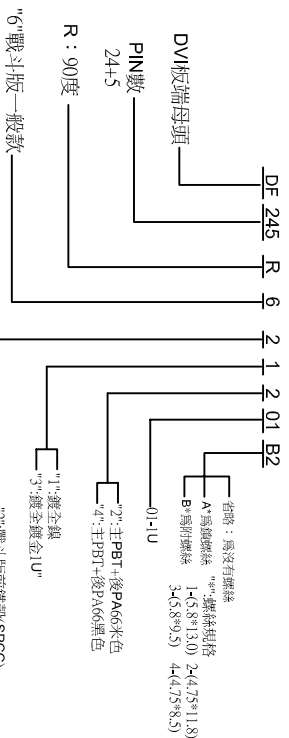
\*ELECTRICAL SPECIFICATION

INSULATION RESISTANCE : 1000 MEGOHMS MIN  
DIELECTRIC WITHSTANDING VOLTAGE : 500 V DC RMS  $\pm$  50 V, 60 HZ  
CURRENT RATING : 1.5 AMPERES MIN  
SHELL RESISTANCE : 50 MILLOHMS MAX. INITIAL; 50 MILLOHMS MAX. CHANGE FROM INITIAL  
CONTACT RESISTANCE : 20 MILLOHMS MAX.

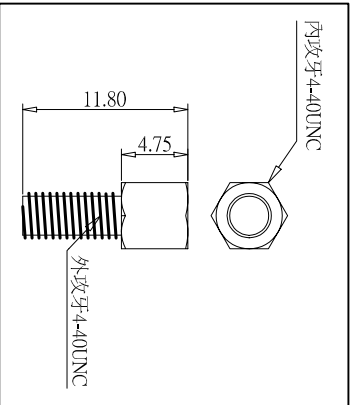
\*ENVIRONMENTAL  
OPERATING TEMPERATURE :  $-20^{\circ}$  TO  $85^{\circ}$

\*HOW TO ORDER

PART NUMBER :



P.C.B LAYOUT



未標示公差尺寸值	TITLE:	DVI(24+5)6F90度附4.75*11.80		
METRIC	PRODUCT NO:	DF245R6-21201B2		
.0= $\pm$ 0.35	FILE NO:	ZK-3-D-001		
.00= $\pm$ 0.25	SCALE	1:1	REV	A/0
.000= $\pm$ 0.15				

DRAWN BY	聶玉忠
DESIGNED BY	
APPROVAL BY	
DRAW NO	COSI-412
UNIT	mm