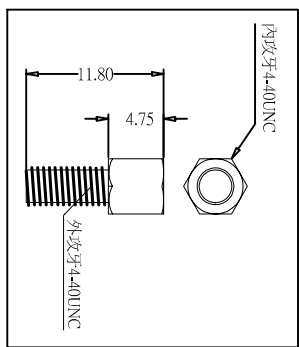
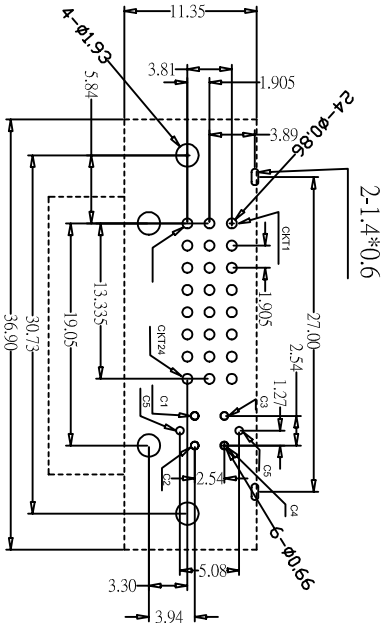
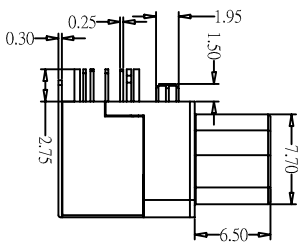
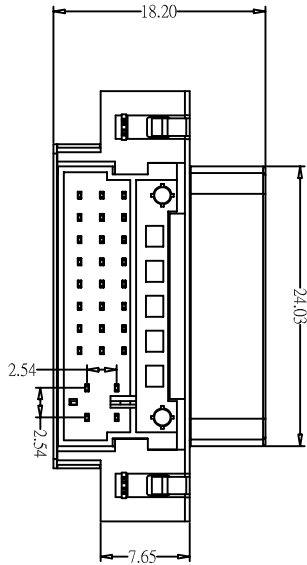
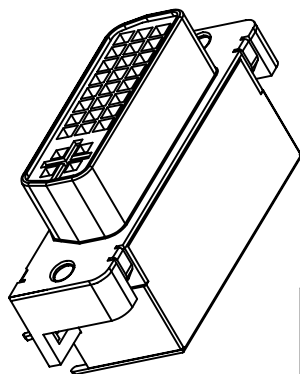
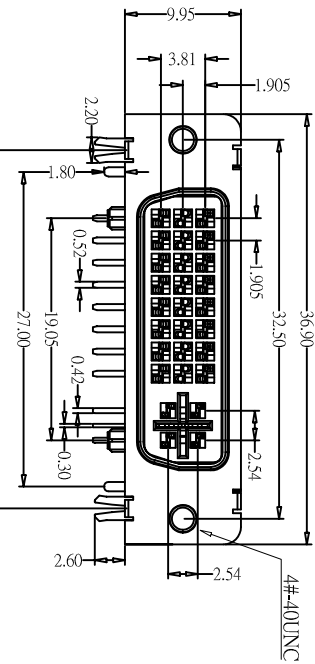


RoHS

REV	DESCRIPTION	MODIFICATION	DATE
A/0	新制定		05.08.16
A/1	變更一	料號編碼變更	06.05.12



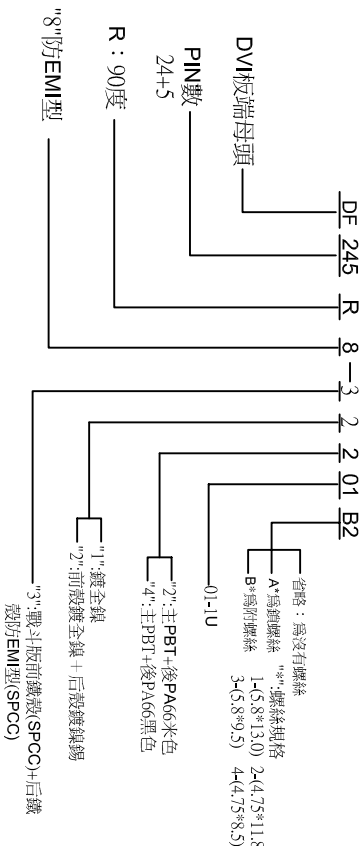
**\*MATERIAL**  
 BODY : PB130% UL 94V-0 RATED, COLOR: WHITE  
 LATCH : PA66+30%GF 94V-0 RATED, COLOR: WHITE  
 CONTACTS : BRASS  
 CONTACT PLATING : GOLD PLATING OVER NICKEL ON CONTACT AREA TIN PLATING ON TERMINAL

**\*MECHANICAL**  
 MATING FORCE : 4.5 KG MAX. @ 25 MM/MINUTE  
 UNMATING FORCE: 1.0 KG MIN. AND 4.0 KG MAX. @ 25 MM/MINUTE  
 DURABILITY: 100 MATING CYCLES

**\*ELECTRICAL SPECIFICATION**  
 INSULATION RESISTANCE : 1000 MEGOHMS MIN  
 DIELECTRIC WITHSTANDING VOLTAGE : 500 V DC RMS ± 50 V 60 HZ  
 CURRENT RATING: 1.5 AMPERES MIN  
 SHELL RESISTANCE: 50 MIILOHMS MAX,INITIAL; 50 MIILOHMS MAX.CHANGE FROM INITIAL  
 CONTACT RESISTANCE : 20 MIILOHMS MAX.

**\*ENVIRONMENTAL**  
 OPERATING TEMPERATURE : -20\*TO85\*  
**\*HOW TO ORDER**

PART NUMBER :



P.C.B LAYOUT

未標示公差尺寸值  
 METRIC  
 .0=±0.35  
 .00=±0.25  
 .000=±0.15

TITLE:	DFI(24+5)8F90度附4.75*11.8	DRAWN BY	聶玉忠
PRODUCT NO:	DF245R8-32201B2	DESIGNED BY	
FILE NO:	ZK-3-D-001	APPROVAL BY	
SCALE	1:1	REV	A/1
UNIT	mm	DRAW NO	COSI-410