

RoHS

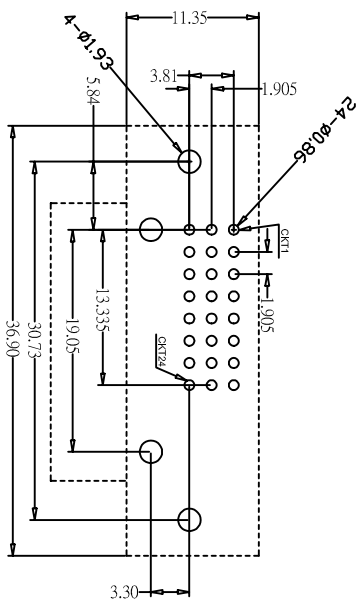
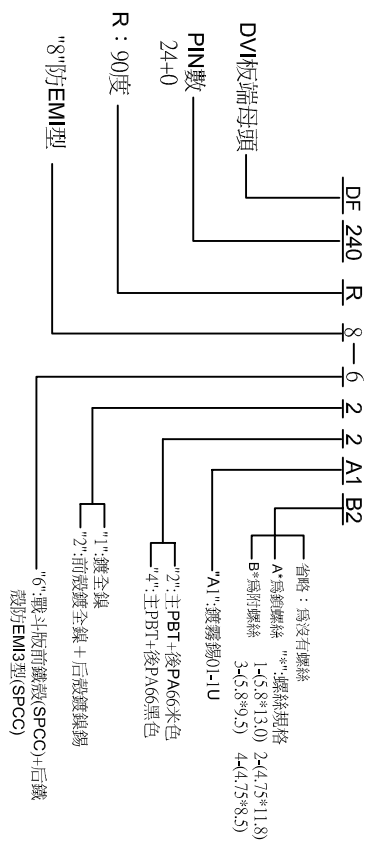
REV	DESCRIPTION	MODIFICATION	DATE
A/0	新制定		06.06.01

***MATERIAL**
 BODY : PBT30% UL 94V-0 RATED, COLOR: WHITE
 LATCH : PA66+30% GF 94V-0 RATED, COLOR: WHITE
 CONTACTS : BRASS
 CONTACT PLATING : GOLD PLATING OVER NICKEL ON CONTACT
 AREA TIN PLATING ON TERMINAL

***MECHANICAL**
 MATING FORCE : 4.5 KG MAX. @ 25 MM/MINUTE
 UNMATING FORCE : 1.0 KG MIN. AND 4.0 KG MAX. @ 25 MM/MINUTE
 DURABILITY : 100 MATING CYCLES

***ELECTRICAL SPECIFICATION**
 INSULATION RESISTANCE : 1000 MEGOHMS MIN
 VOLTAGE RATING : 40 VOLTS AC RMS
 DIELECTRIC WITHSTANDING VOLTAGE : 500 V DC RMS ± 50 V.60 HZ
 CURRENT RATING : 1.5 AMPERES MIN
 SHELL RESISTANCE : 50 MIILOHMS MAX,INITIAL;
 MAX.CHANGE FROM INITIAL
 CONTACT RESISTANCE : 20 MIILOHMS MAX.

***ENVIRONMENTAL**
 OPERATING TEMPERATURE : -20° TO 85°
***HOW TO ORDER**
 PART NUMBER :



P.C.B LAYOUT

未標示公差尺寸值		TITLE: DVI(24+0)8F90度附螺絲EMI3型(鍍霧鍍)		DRAWN BY 聶玉忠	
METRIC	.0=±0.35	PRODUCT NO:	DF240R8-622A1B2	DESIGNED BY	
	.00=±0.25	FILE NO:	ZK-3-D-001	APPROVAL BY	
	.000=±0.15	SCALE	1:1 REV	UNIT	mm
				DRAW NO	COSI-423