

REV	MODIFICATION	DATE	DRAW
E	EN-06-0529	95/06/05	TERENCE
F	EN-06-0624	95/06/23	TERENCE
G	EN-07-0303	96/03/05	TERENCE

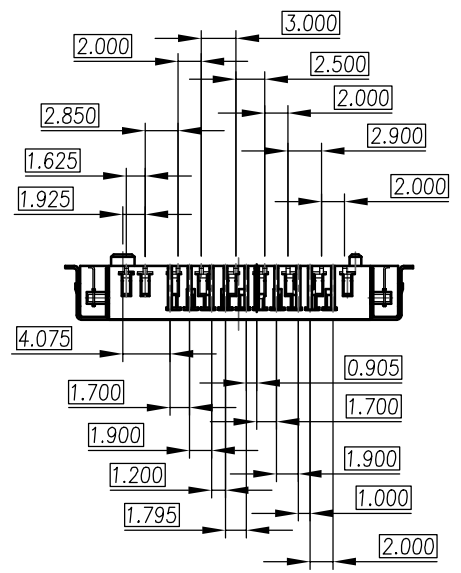
Ordering Information:
 AIO4X-241XXBXX X

0 : W/O MYLAR
 1 : WITH MYLAR

Contact Area Plating:
 05--5u" Gold Plating
 10--10u" Gold Plating
 15--15u" Gold Plating

0 : W/O LOGO
 1 : WITH LOGO

0 : TIN/LEAD PLATING
 T : LEAD FREE

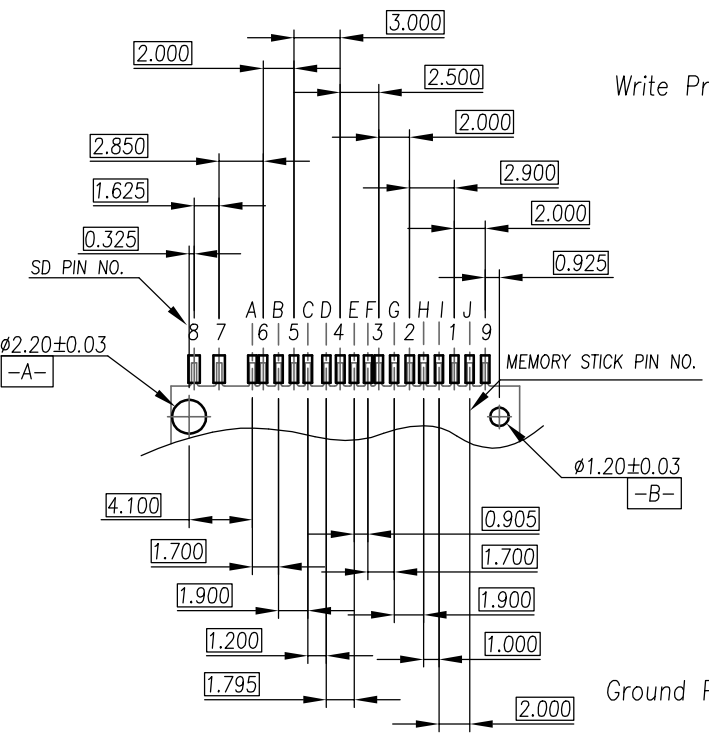


DIMENSION IN mm [Inch]		PROD. SPEC.	TITLE	
		SP0060	SD,MMC,MEMORY STICK,XD 4 IN 1 CONNECTOR	
TOLERANCE UNLESS OTHERWISE SPECIFIED		PKG. SPEC.	FILE NO. KFP-060	DWG NO. AIO4X-241XXBXXX
.X±0.30	X.*±	PPP-AIO-003	SIZE A4	CUSTOMER DRAWING
.XX±0.20	.X.*±	APPROVE	PROJ.	SHEET 1 / 3
.XXX±0.10	.XX.*±	CHECK	SCALE 3:2	REV G
		DRAW		

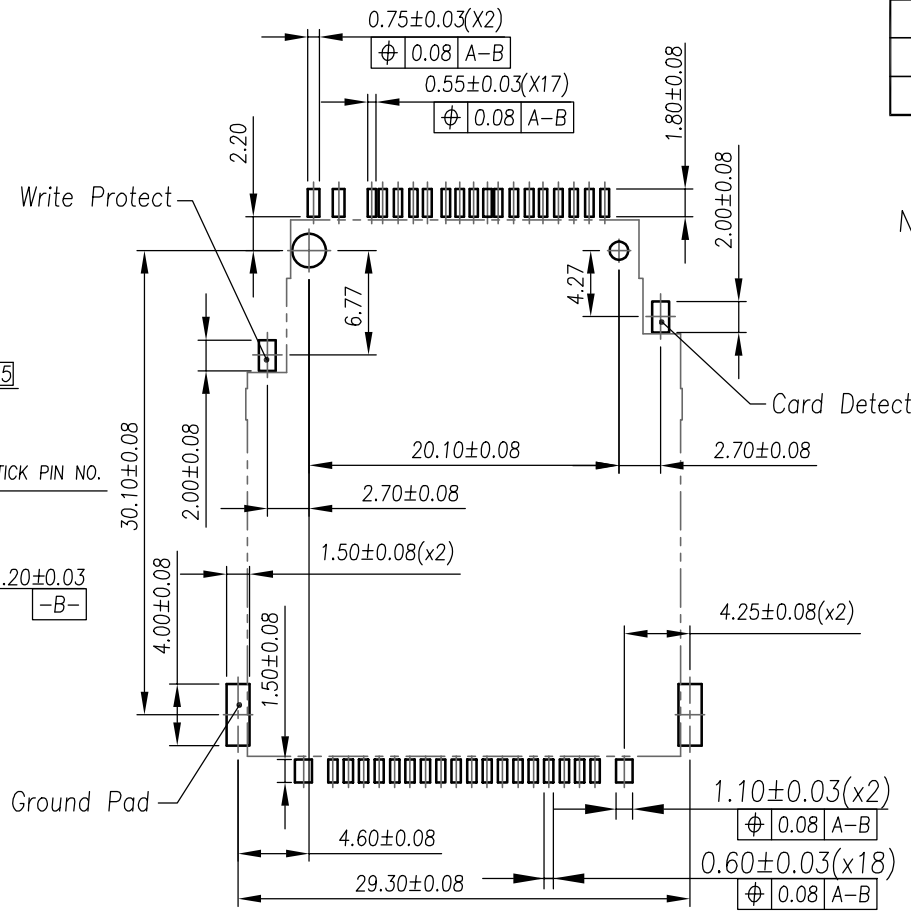
REV	MODIFICATION	DATE	DRAW
E	EN-06-0529	95/06/05	TERENCE
F	EN-06-0624	95/06/23	TERENCE
G	EN-07-0303	96/03/05	TERENCE

F
E
D
C
B
A

F
E
D
C
B
A



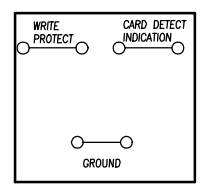
PCB LAYOUT TOP VIEW (DETAIL)



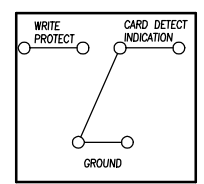
PCB LAYOUT TOP VIEW

NOTES:

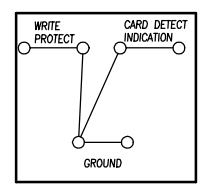
- Material:
 - Housing: Thermoplastic UL94V-0
 - Color: Black
 - Contact: Phosphor Bronze
 - Tin/Lead 100u" at Solder Tail, See "Ordering Information" for Contact Area Plating
 - Mounting Ear, Brass Nickel plating for all.
- Specification:
 - Electrical Characteristics:
 - A-1. Contact Resistance: 100 MΩ Max.
 - A-2. Dielectric Withstanding Voltage: 500VAC Max. With 1 Minute
 - A-3. Insulation Resistance: 1000 MΩ Min.
 - A-4. Current Rating: 0.5A AC/DC MAX.
 - Rated Voltage: 5V RMS Min.
 - Mechanical Characteristics:
 - B-1. Insertion Force: 9.80 N Max.
 - B-2. Separation Force: 1.96 N Min.
 - B-3. Retention Force: 4.9 N Min.
 - Per Contact
 - B-4. Operating Temperature: -25°C ~ +90°C



WITHOUT CARD



CARD INSERTED
WRITE PROTECT : LOCK



CARD INSERTED
WRITE PROTECT : UNLOCK

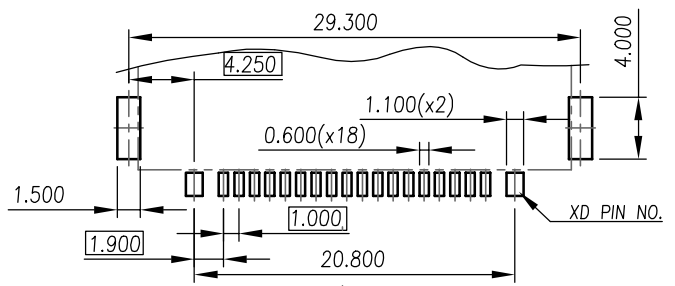
DIMENSION IN mm [Inch]		PROD. SPEC.
TOLERANCE UNLESS OTHERWISE SPECIFIED		SP0060
.X±0.30	X.*±	PKG. SPEC. PPP-A10-003
.XX±0.20	.X.*±	APPROVE
.XXX±0.10	.XX.*±	CHECK
		DRAW

TITLE		CUSTOMER DRAWING
SD, MMC, MEMORY STICK, XD 4 IN 1 CONNECTOR		
FILE NO. KFP-060	DWG NO. A104X-241XXBXXX	
SIZE A4	PROJ.	SHEET 2 / 3
SCALE 2:1	REV G	

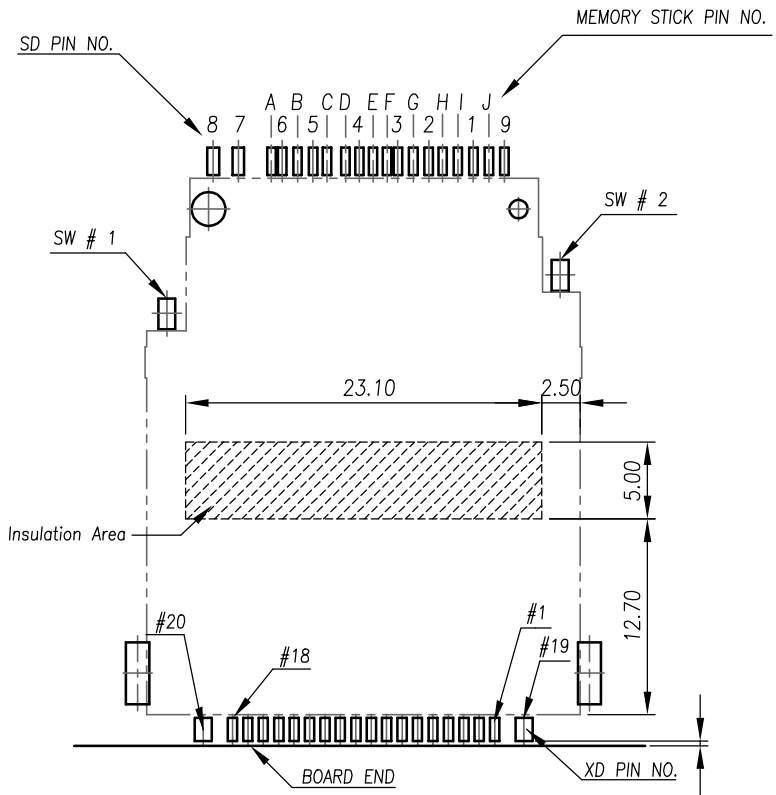
1 2 3 4 5 6 7 8

REV	MODIFICATION	DATE	DRAW
E	EN-06-0529	95/06/05	TERENCE
F	EN-06-0624	95/06/23	TERENCE
G	EN-07-0303	96/03/05	TERENCE

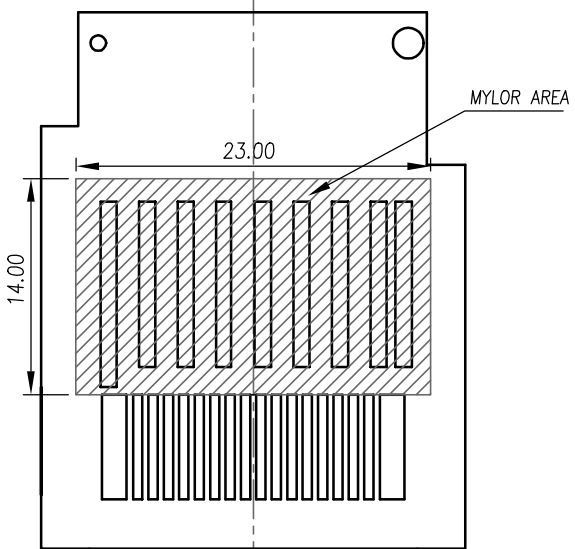
F



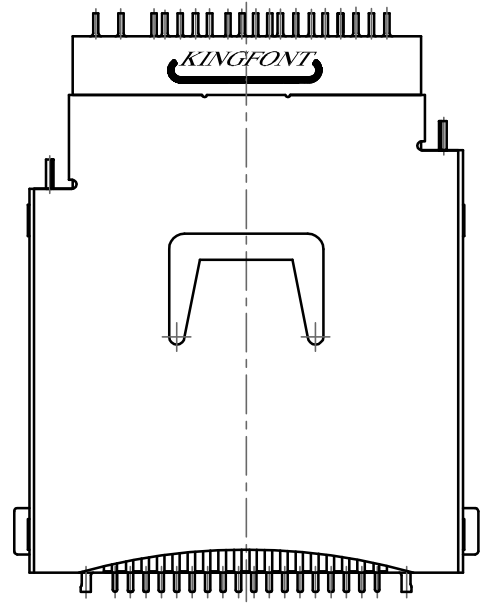
E



D



C



B

SD & MMC		MS		XD			
PIN	NAME	PIN	NAME	PIN	NAME	PIN	NAME
1	CD/DAT3	A	VSS	1	GND	12	D2
2	CMD/DI	B	BS	2	R/B#	13	D3
3	VSS1	C	VCC	3	RE#	14	D4
4	VDD	D	SDIO	4	CE#	15	D5
5	CLK/SCLK	E	Reserved	5	CLE	16	D6
6	VSS2	F	INS	6	ALE	17	D7
7	DAT0	G	Reserved	7	WE#	18	VCC
8	DAT1	H	SCLK	8	WP#	19	CD#
9	DAT2	I	VCC	9	GND	20	NC
		J	VSS	10	D0		
				11	D1		

PCB LAYOUT TOP VIEW

A

DIMENSION IN mm [Inch]		PROD. SPEC. SP0060	
TOLERANCE UNLESS OTHERWISE SPECIFIED		PKG. SPEC. PPP-A10-003	
.X±0.30	X.*±	APPROVE	
.XX±0.20	.X.*±	CHECK	
.XXX±0.10	.XX.*±	DRAW	
		TITLE SD,MMC,MEMORY STICK,XD 4 IN 1 CONNECTOR	
		CUSTOMER DRAWING	
		FILE NO. KFP-060	DWG NO. A104X-241XXBXXX
SIZE A4		PROJ. SHEET 3 / 3	
		SCALE 2:1	REV G