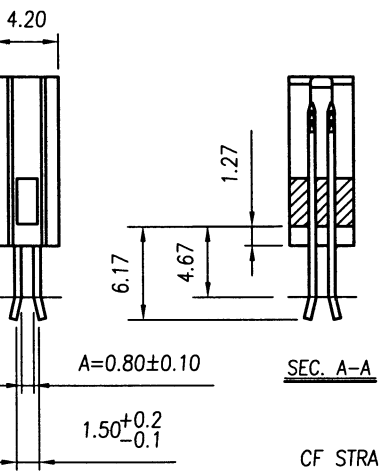
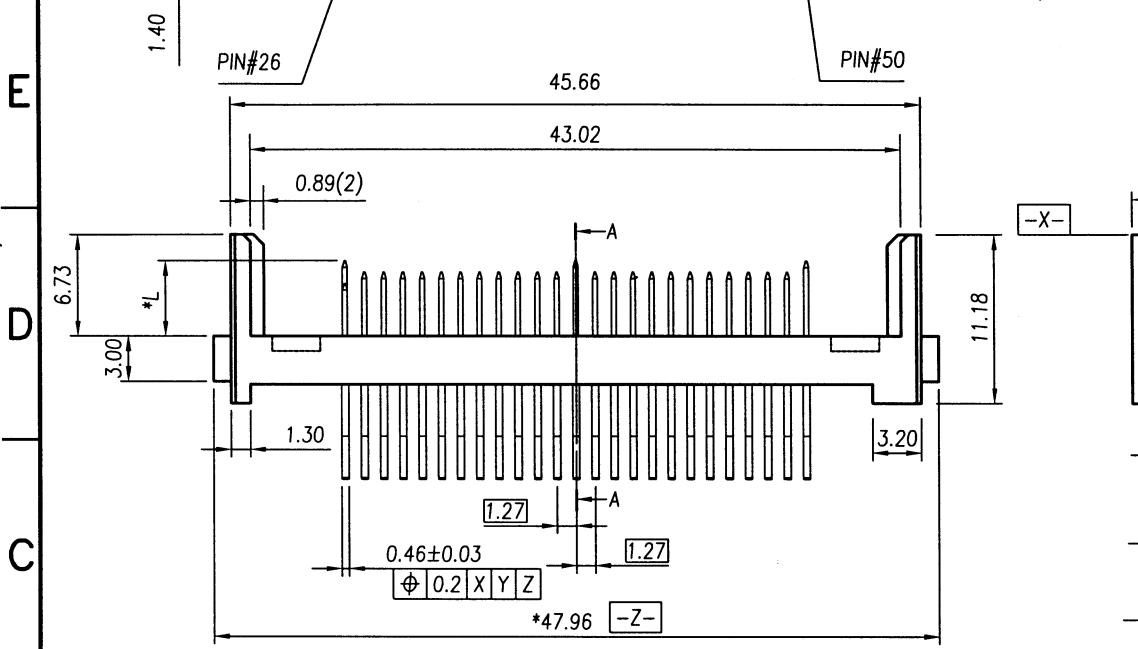


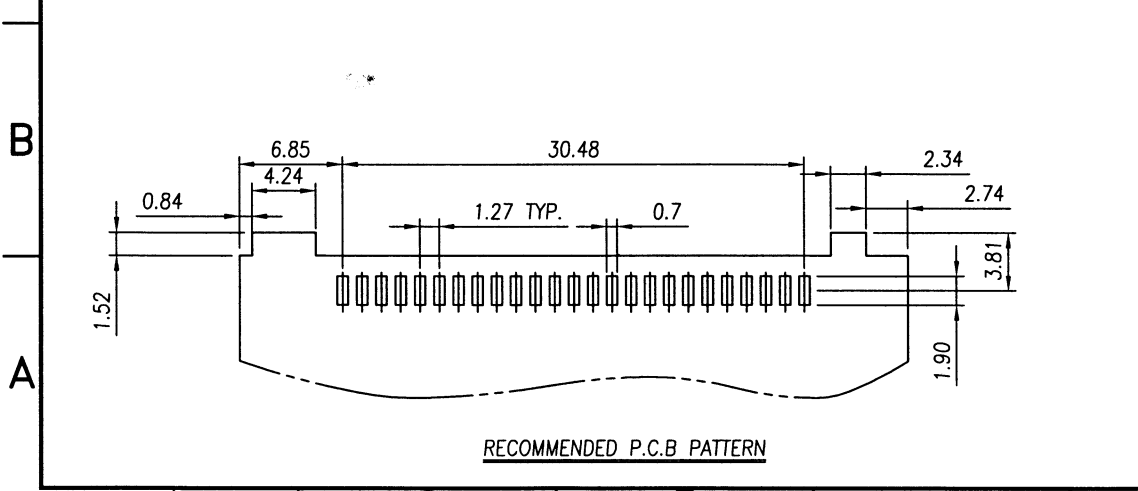
Pin Type	Interface Dim L	Pin Type	REV	MODIFICATION	DATE	DRAW
Detect	3.5 mm	25,26				
General	4.25 mm	All Other Pins				
Power	5.0 mm	1,13,38,50				



**SPECIFICATIONS:**  
 HOUSING : High Temperature Plastic, UL 94V-0  
 CONTACT : Copper Alloys  
 VOLTAGE RATING : 100VAC  
 CURRENT RATING : 0.5A  
 CONTACT RESISTANCE:40 mΩ max.  
 INSULATION RESISTANCE:1000M Ω max.  
 DIELECTRIC STRENGTH : 500VAC/1min  
 OPERATION TEMPERATURE : -40°C~85°C

CFCMC- 6 50 XX B 00 3  
 Dim-A  
 3-0.80 mm

Contact Area Plating:  
 01-Gold Flash Gold Plating.  
 05-5U" Gold Plating.  
 15-15U" Gold Plating.



DIMENSION IN mm [Inch]		PROD. SPEC. SPO049	TITLE CF STRADDLE MOUNT (A TYPE)		CUSTOMER DRAWING
TOLERANCE UNLESS OTHERWISE SPECIFIED		PKG. SPEC.	APPROVE	FILE NO. KFP-049	DWG NO. CFCMC-650XXB003
.X±0.30	X'± 1'		CHECK	PROJ.	SHEET 1 / 1
.XX±0.20	.X'± 0.5'		DRAW	SCALE 2:1	REV A
.XXX±0.10	.XX'± 0.25'			SIZE A4	