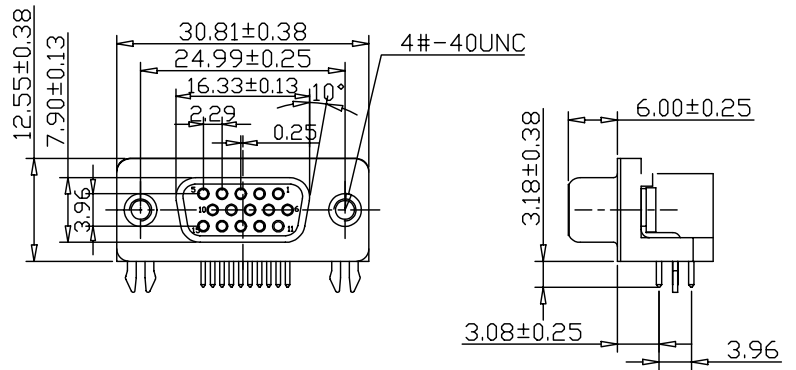
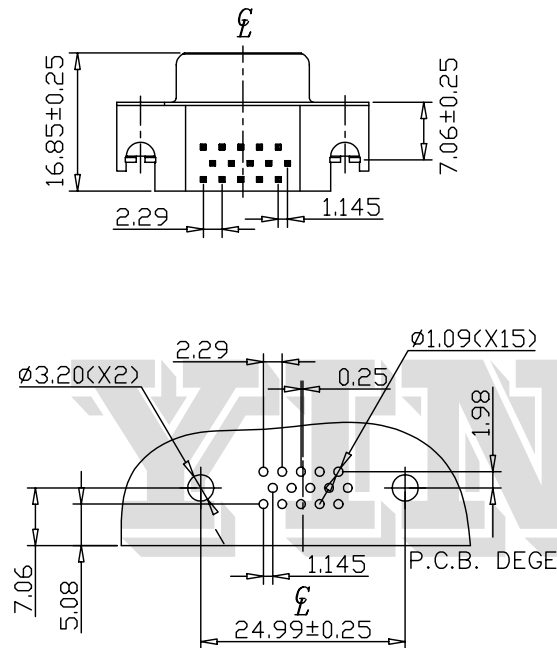
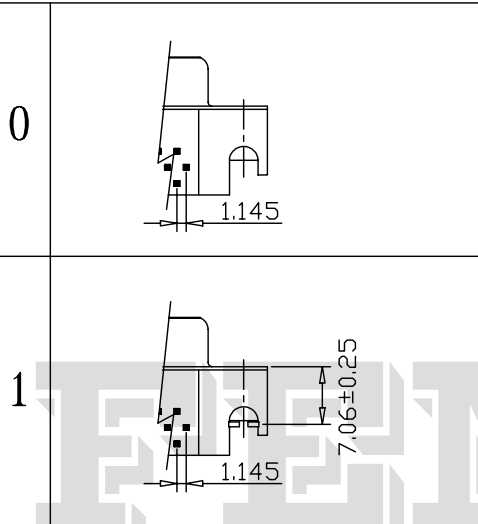


D111SERIES

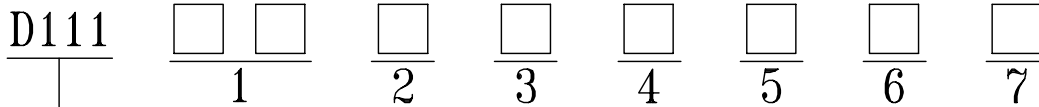
SHORT BODY D-SUB, RIGHT ANGLE, 5.08mm FOOTPRINT



5: BOARD MOUNTING OPTION



RECOMMENDED P.C.B. LAYOUT



SERIES NO.

1 : NUMBER OF POSITION

15: 15-POSITIONS

2 : CONTACT STYLE

S: SOCKET

3 : CONTACT FINISH

0: FLASH GOLD
1: 15u" GOLD
2: 30u" GOLD

4 : FRONT SHELL FLNISH

0: ZINC CHROMATED
1: TIN/LEAD OVER NICKEL
2: NICKEL

5 : BOARD MOUNTING OPTION

0: NONE
1: 2-FINGER BOARDLOCK

6 : FLANGE MOUNTING OPTION

0: #4-40 THREADED HOLE
1: #4-40 THREADED HOLE WITH #4-40UNC SCREWLOCK INSTALLED
2: #4-40 THREADED HOLE WITH #4-40UNC SCREWLOCK BULK-PACKED
3: Ø3.05mm CLEAR HOLE
4: M3 THREADED HOLE
5: M3 THREADED HOLE WITH M3 SCREWLOCK INSTALLED
6: M3 THREADED HOLE WITH M3 SCREWLOCK BULK-PACKED

7 : COLOR STYLE

1: BLACK(STANDARD)
2: FOR PC99 FOLLOW PANTONE COLOR

7: #4-40 THREADED SCREWLOCK CLINCHED-MOUNT INSTALLED
8: SPECIAL SCREW AVAILABLE
A: #4-40 HEX STANDOFF SCREWLOCK