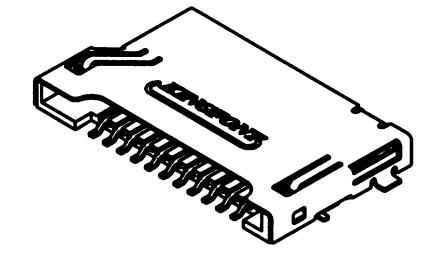


REV	MODIFICATION	DATE	DRAW
B	EN-05-0226	02-22-94	Gary



Ordering Information:

MDBMF-X12XXBXX1

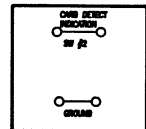
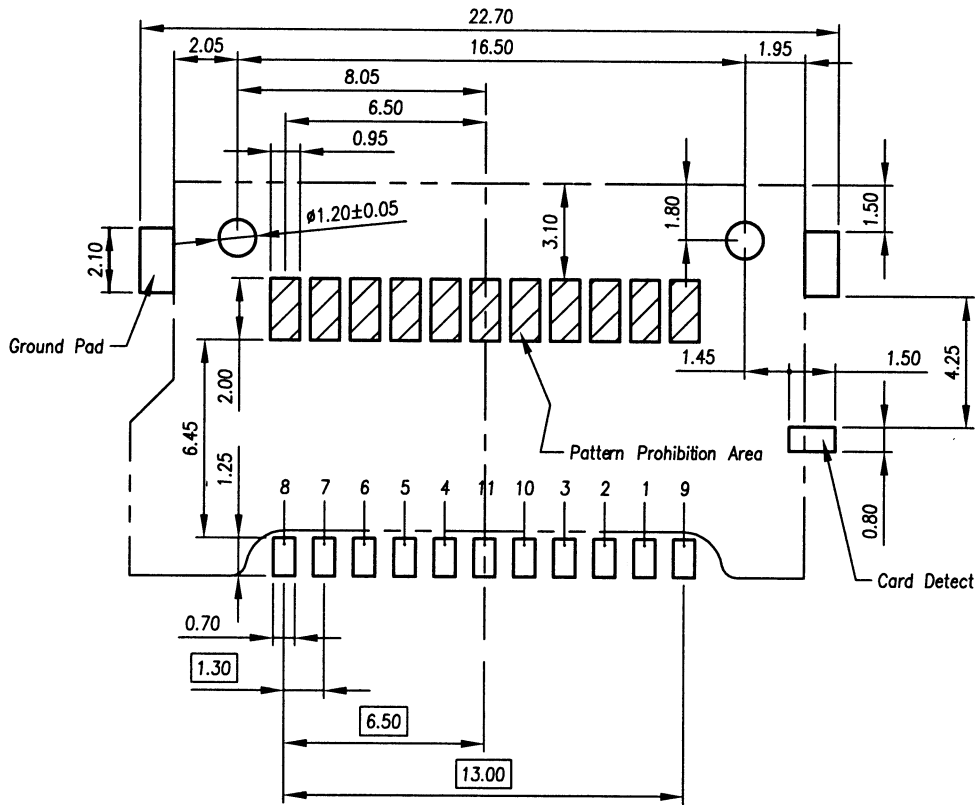
PACKAGE:  
 0 : TRAY  
 1 : TAPE REEL

Contact Area Plating:  
 05-- 5u" Gold Plating  
 10-- 10u" Gold Plating  
 15-- 15u" Gold Plating

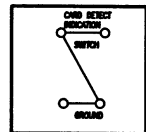
Plating Type:  
 0 : Tin-Lead 90/10  
 T : Lead Free  
 0 : WITHOUT LOGO  
 1 : WITH LOGO

DIMENSION IN mm [Inch]		PROD. SPEC. SP0082		TITLE MINI SD CARD CONNECTOR		CUSTOMER DRAWING	
TOLERANCE UNLESS OTHERWISE SPECIFIED		PKG. SPEC. PPP-MDB-001		MANUAL TYPE			
.X±0.30	X.±	APPROVE	<i>[Signature]</i>	FILE NO. KFP-082	DWG NO. MDBMF-X12XXBXX1		
.XX±0.20	.X.±	CHECK	<i>[Signature]</i>	SIZE <b>A4</b>	PROJ.	SHEET 1 / 2	
.XXX±0.05	.XX.±	DRAW	<i>[Signature]</i>	SCALE 2:1	REV B		

REV	MODIFICATION	DATE	DRAW
B	EN-05-0226	02-22-94	Gary



WITHOUT CARD



CARD INSERTED

MINI-SD CARD

NOTES:

1. Material:

Housing: Thermoplastic UL94V-0

Color: Black

Contact: Phosphor Bronze.

Tin/Lead 100u" at Solder Tail, See

"Ordering Information" for Contact Area Plating

Cover: Phosphor Bronze, Nickel plating for all.

MINI-SD	NAME
1	CD/DAT3
2	CMD/DI
3	VSS1
4	VDD
5	CLK/SCLK
6	VSS2
7	DAT0
8	DAT1
9	DAT2
10	
11	

P.C.B Layout ( Top View )

DIMENSION IN mm [Inch]		PROD. SPEC.	TITLE	
TOLERANCE UNLESS OTHERWISE SPECIFIED		SP0082	MINI SD CARD CONNECTOR MANUAL TYPE	
.X±0.30	X.±	PKG. SPEC.	FILE NO. KFP-082	DWG NO. MDBMF-X12XXBXX1
.XX±0.20	.X.±	PPP-MDB-001	PROJ.	SHEET 2 / 2
.XXX±0.10	.XX.±	APPROVE	SCALE 2:1	REV B
		CHECK		
		DRAW		