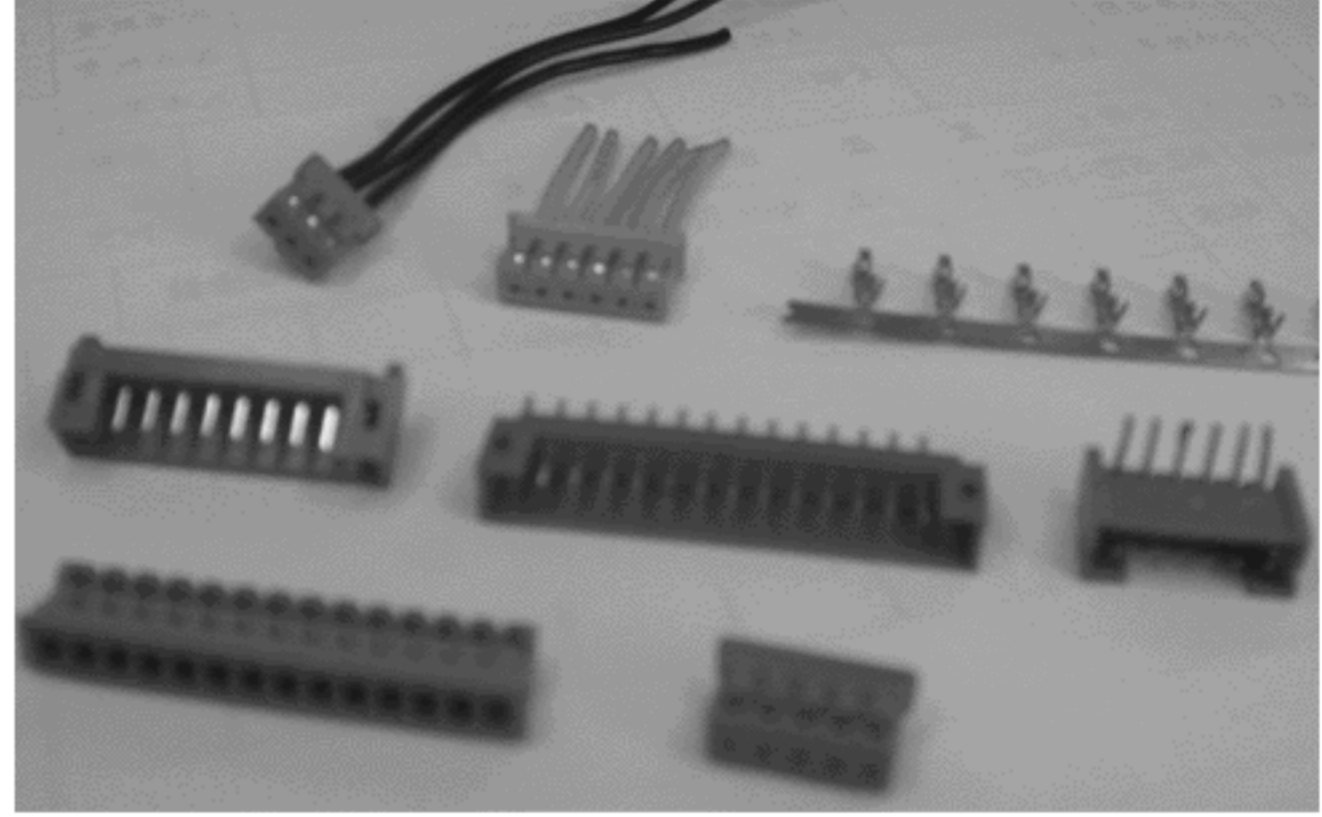


0.079" (2.00mm) Pitch Disconnectable Connector

1101 Series

SPECIFICATION

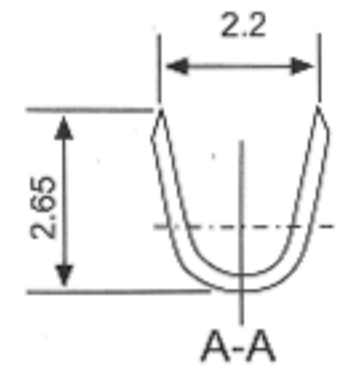
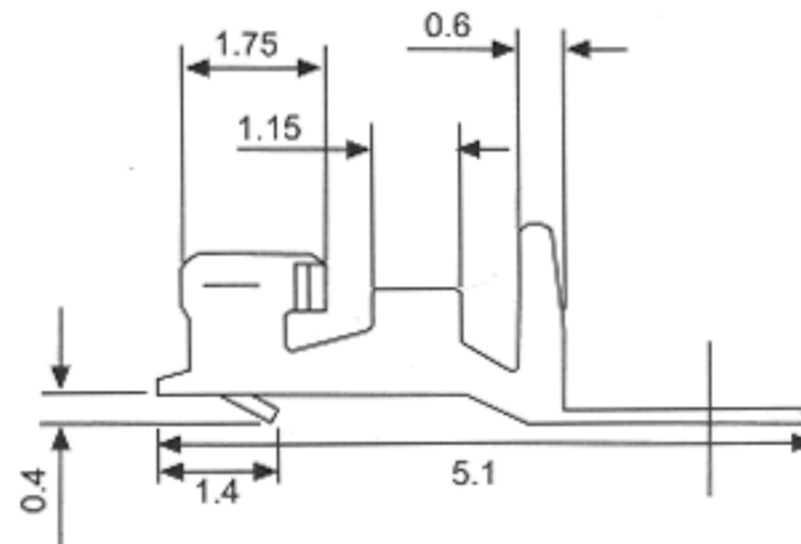
Poles:2-15
Voltage rating: AC,DC 250V
Current rating: AC,DC 2A
Withstand voltage:800V AC/min.
Insulation resistance:1000M Ω /min.
Temperature range:-25°C~ +85°C
Applicable PC board thickness:0.063" (1.6mm)
Contact resistance:Initial value/10m Ω max.
After environmental testing/20m Ω max.



TERMINAL

Part No:1101T
Applicable wires:AWG#22-28
Material:Phos.Bronze(Brass)
Finish:Tin plated 40 μ " min
Hardness:H
Thickness:0.2mm

TERMINAL 1101T

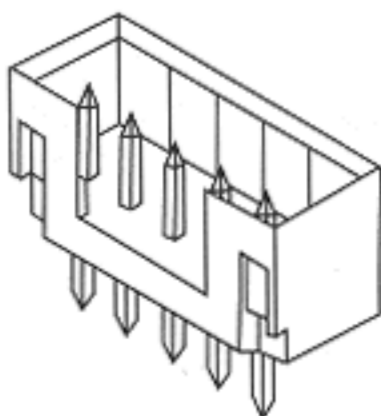
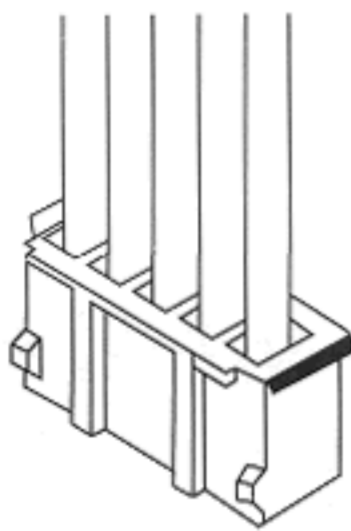
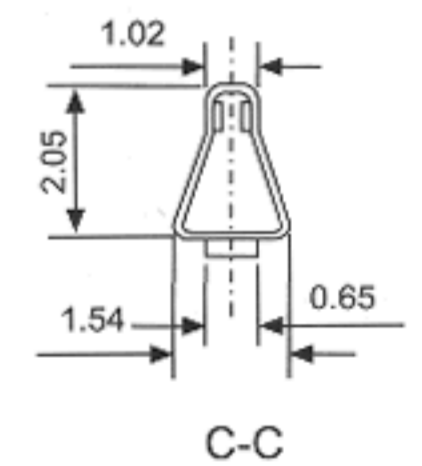
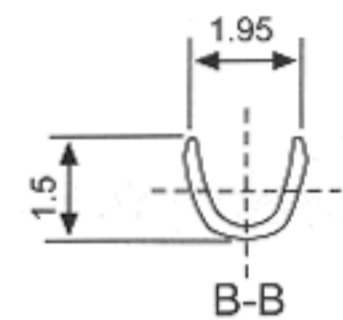
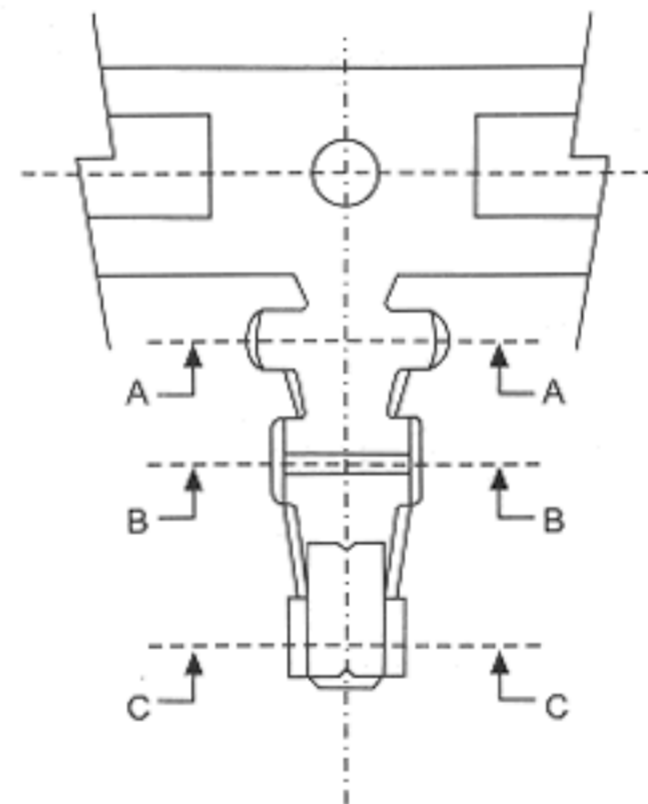


HOUSING

Part No:1101H
Poles:2-15
Material:Nylon 66,UL 94V-0
Color:Brown

WAFER

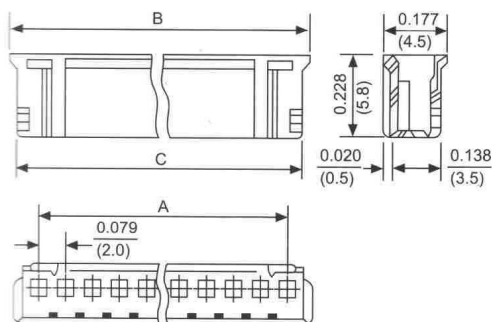
Part No:1101S(180°)
1101R(90°)
Poles:2-15
Material:Post:Brass.Tin/plated
Base:Nylon 66, UL 94V-0
Color:Brown/White



0.079" (2.00mm) Pitch Disconnectable Connector

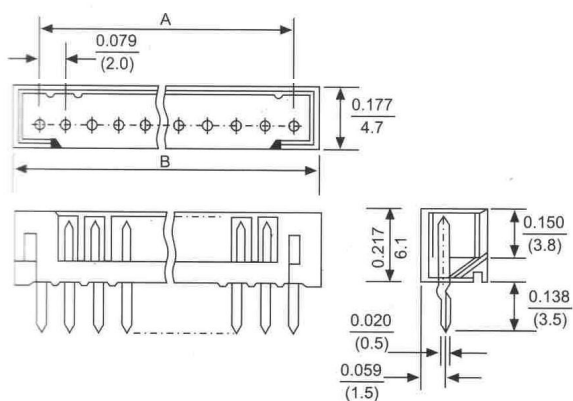
1101 Series

HOUSING 1101H



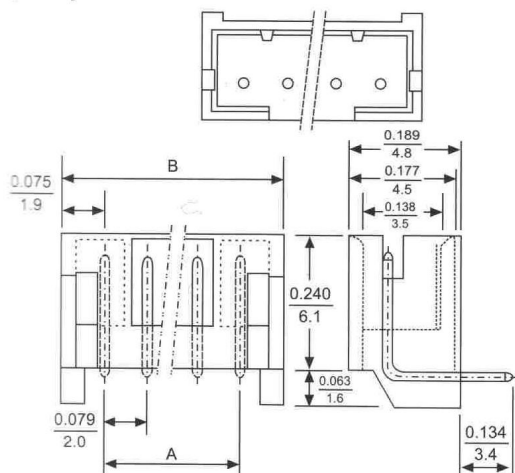
POLES	PART NO.	DIMENSION IN.(MM)		
		A	B	C
2	1101H-2P	2.0	0.220(5.6)	0.177(4.5)
3	1101H-3P	4.0	0.299(7.6)	0.256(6.5)
4	1101H-4P	6.0	0.378(9.6)	0.335(8.5)
5	1101H-5P	8.0	0.457(11.6)	0.413(10.5)
6	1101H-6P	10.0	0.535(13.6)	0.492(12.5)
7	1101H-7P	12.0	0.614(15.6)	0.571(14.5)
8	1101H-8P	14.0	0.693(17.6)	0.650(16.5)
9	1101H-9P	16.0	0.772(19.6)	0.728(18.5)
10	1101H-10P	18.0	0.850(21.6)	0.807(20.5)
11	1101H-11P	20.0	0.929(23.6)	0.886(22.5)
12	1101H-12P	22.0	1.008(25.6)	0.965(24.5)
13	1101H-13P	24.0	1.087(27.6)	1.043(26.5)
14	1101H-14P	26.0	1.165(29.6)	1.122(28.5)
15	1101H-15P	28.0	1.244(31.6)	1.201(30.5)

MAFER 1101S(180°)



POLES	PART NO.		DIMENSION IN.(MM)	
	TOP ENTRY TYPE	SIDE ENTRY TYPE	A	B
2	1101S-2P	1101R-2P	0.079(2.0)	0.236(6.0)
3	1101S-3P	1101R-3P	0.157(4.0)	0.315(8.0)
4	1101S-4P	1101R-4P	0.236(6.0)	0.394(10.0)
5	1101S-5P	1101R-5P	0.315(8.0)	0.472(12.0)
6	1101S-6P	1101R-6P	0.394(10.0)	0.551(14.0)
7	1101S-7P	1101R-7P	0.472(12.0)	0.630(16.0)
8	1101S-8P	1101R-8P	0.551(14.0)	0.709(18.0)
9	1101S-9P	1101R-9P	0.630(16.0)	0.787(20.0)
10	1101S-10P	1101R-10P	0.709(18.0)	0.866(22.0)
11	1101S-11P	1101R-11P	0.787(20.0)	0.945(24.0)
12	1101S-12P	1101R-12P	0.866(22.0)	1.024(26.0)
13	1101S-13P	1101R-13P	0.945(24.0)	1.102(28.0)
14	1101S-14P	1101R-14P	1.024(26.0)	1.181(30.0)
15	1101S-15P	1101R-15P	1.102(28.0)	1.260(32.0)

MAFER 1101R(90°)



P.C.B LAYOUT

