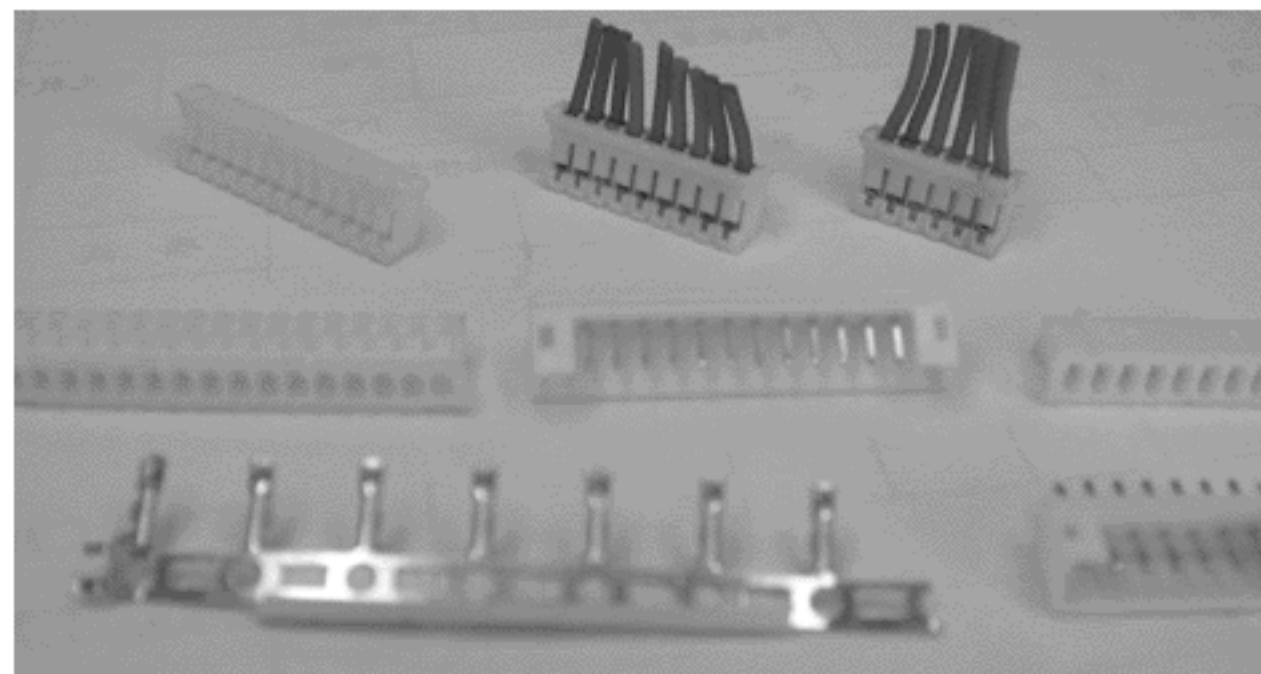


0.079" (2.00mm) Pitch Disconnectable Connector

1124 Series

SPECIFICATION

Poles:2-15
 Voltage rating: AC,DC 250V
 Current rating: AC,DC 2A
 Withstand voltage:800V AC/min.
 Insulation resistance:1000M Ω /min.
 Temperature range:-25°C~ +85°C
 Applicable PC board thickness:0.031 " ~ 0.063 " (0.8~1.6mm)
 Contact resistance:Initial value/10m Ω max.
 After environmental testing/20m Ω max.



TERMINAL

Part No:1124T
 Applicable wires:AWG#22-28
 Material:Phos.Bronze(Brass)
 Finish:Tin / plated 40 μ " min.
 Hardness:H
 Thickness:0.2mm

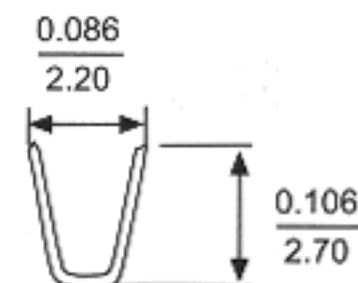
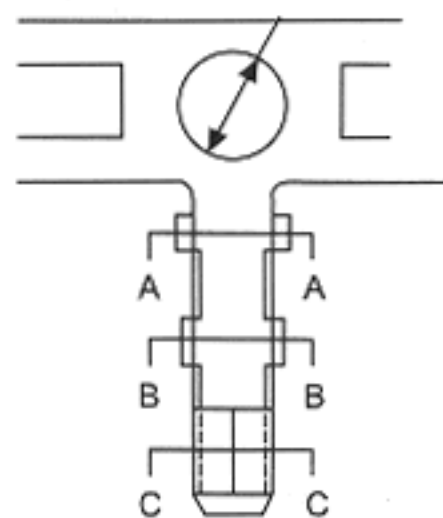
HOUSING

Part No:1124H
 Poles:2-16 & 20
 Material:Nylon 66,UL 94V-0 Natural

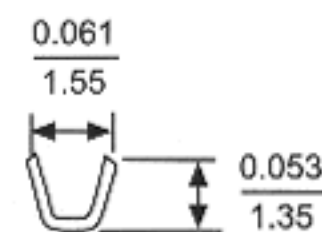
WAFER

Part No:1124S(180°) 1124R(90°)
 Poles:2-16 & 20
 Material:Post:Brass.Tin/plated
 Base:Nylon 66, UL 94V-0
 Dimension: $\frac{\text{inch}}{\text{mm}}$

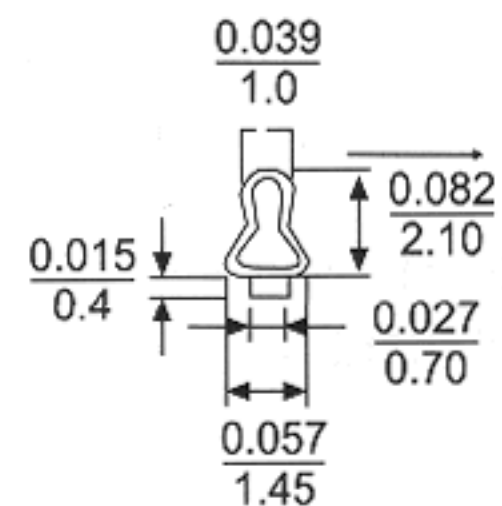
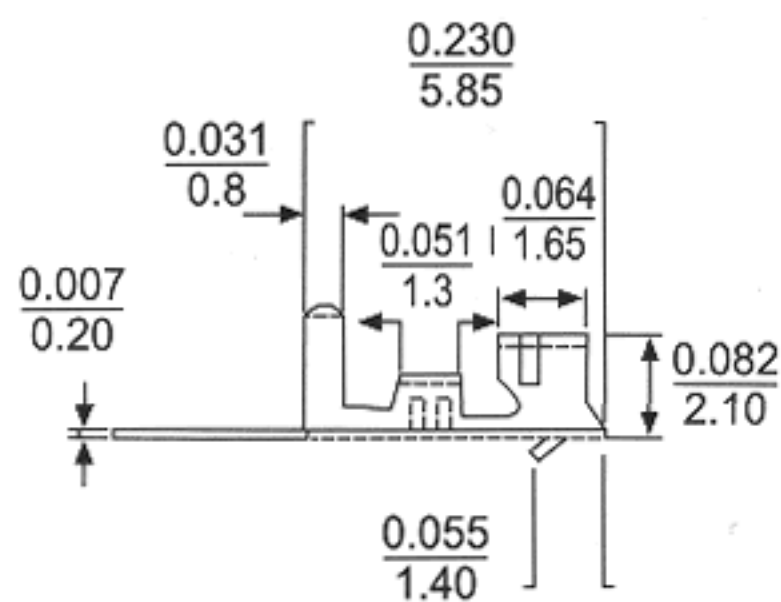
TERMINAL 1124T



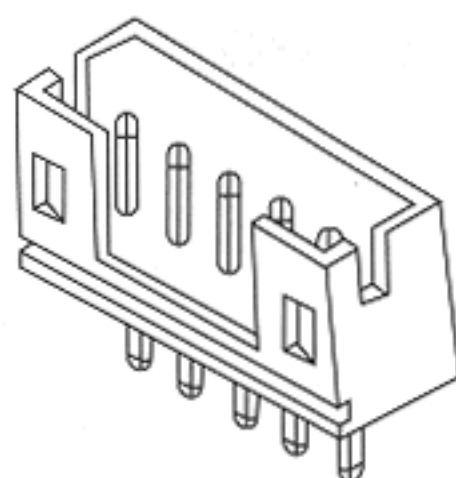
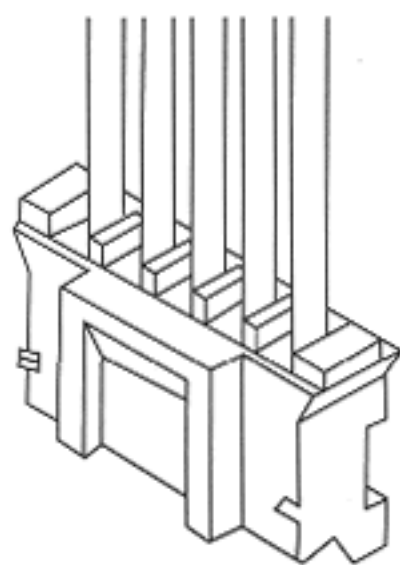
SECT A-A



SECT B-B



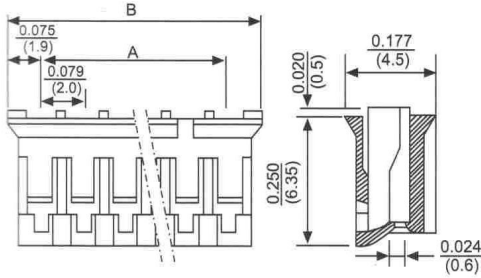
SECT C-C



0.079" (2.00mm) Pitch Disconnectable Connector

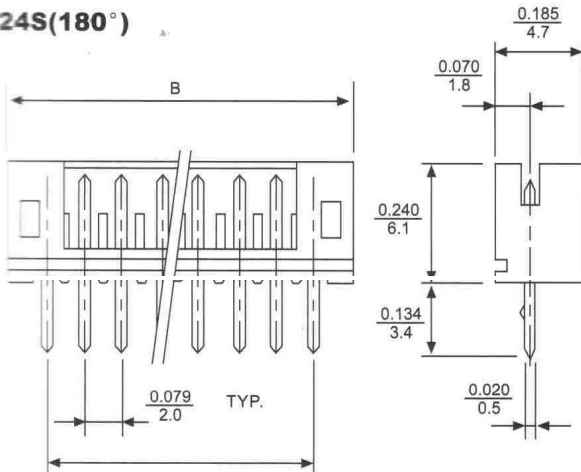
1124 Series

HOUSING 1124H



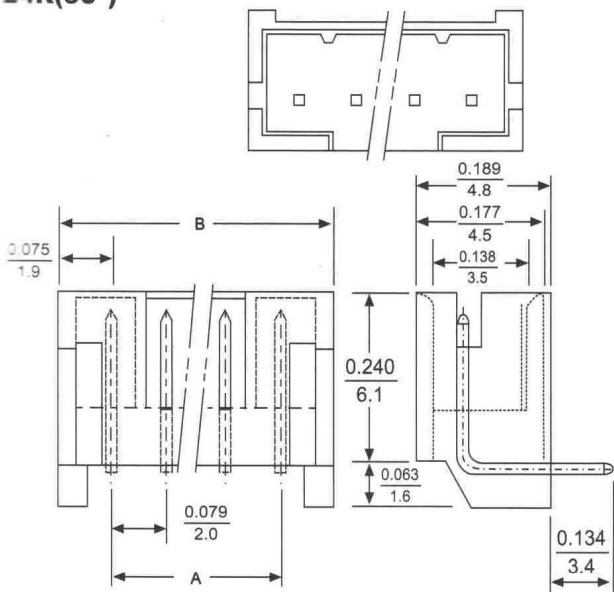
| POLES | PART NO. | DIMENSION IN.(MM) | |
|-------|-----------|-------------------|-------------|
| | | A | B |
| 2 | 1124H-2P | 0.079(2.0) | 0.228(5.8) |
| 3 | 1124H-3P | 0.157(4.0) | 0.307(7.8) |
| 4 | 1124H-4P | 0.236(6.0) | 0.386(9.8) |
| 5 | 1124H-5P | 0.315(8.0) | 0.465(11.8) |
| 6 | 1124H-6P | 0.394(10.0) | 0.543(13.8) |
| 7 | 1124H-7P | 0.472(12.0) | 0.622(15.8) |
| 8 | 1124H-8P | 0.551(14.0) | 0.701(17.8) |
| 9 | 1124H-9P | 0.630(16.0) | 0.780(19.8) |
| 10 | 1124H-10P | 0.709(18.0) | 0.858(21.8) |
| 11 | 1124H-11P | 0.787(20.0) | 0.937(23.8) |
| 12 | 1124H-12P | 0.866(22.0) | 1.016(25.8) |
| 13 | 1124H-13P | 0.945(24.0) | 1.094(27.8) |
| 14 | 1124H-14P | 1.024(26.0) | 1.173(29.8) |
| 15 | 1124H-15P | 1.104(28.0) | 1.252(31.8) |
| 16 | 1124H-16P | 1.181(30.0) | 1.331(33.8) |
| 17 | 1124H-17P | 1.260(32.0) | 1.409(35.8) |
| 18 | 1124H-18P | 1.339(34.0) | 1.488(37.8) |
| 19 | 1124H-19P | 1.417(36.0) | 1.567(39.8) |
| 20 | 1124H-20P | 1.496(38.0) | 1.646(41.8) |

WAFER 1124S(180°)

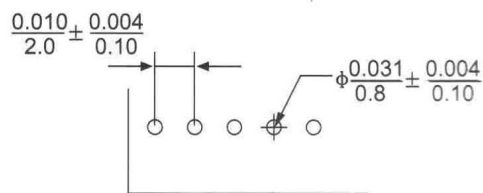


| POLES | PART NO. | | DIMENSION IN.(MM) | |
|-------|----------------|----------------|-------------------|-------------|
| | Top entry type | Top entry type | A | B |
| 2 | 1124S-2P | 1124R-2P | 0.079(2.0) | 0.236(6.0) |
| 3 | 1124S-3P | 1124R-3P | 0.157(4.0) | 0.315(8.0) |
| 4 | 1124S-4P | 1124R-4P | 0.236(6.0) | 0.394(10.0) |
| 5 | 1124S-5P | 1124R-5P | 0.315(8.0) | 0.472(12.0) |
| 6 | 1124S-6P | 1124R-6P | 0.394(10.0) | 0.551(14.0) |
| 7 | 1124S-7P | 1124R-7P | 0.472(12.0) | 0.630(16.0) |
| 8 | 1124S-8P | 1124R-8P | 0.551(14.0) | 0.709(18.0) |
| 9 | 1124S-9P | 1124R-9P | 0.630(16.0) | 0.787(20.0) |
| 10 | 1124S-10P | 1124R-10P | 0.709(18.0) | 0.866(22.0) |
| 11 | 1124S-11P | 1124R-11P | 0.787(20.0) | 0.945(24.0) |
| 12 | 1124S-12P | 1124R-12P | 0.866(22.0) | 1.024(26.0) |
| 13 | 1124S-13P | 1124R-13P | 0.945(24.0) | 1.102(28.0) |
| 14 | 1124S-14P | 1124R-14P | 1.024(26.0) | 1.181(30.0) |
| 15 | 1124S-15P | 1124R-15P | 1.104(28.0) | 1.260(32.0) |
| 16 | 1124S-16P | 1124R-16P | 1.181(30.0) | 1.338(34.0) |
| 17 | 1124S-17P | 1124R-17P | 1.260(32.0) | 1.417(36.0) |
| 18 | 1124S-18P | 1124R-18P | 1.339(34.0) | 1.496(38.0) |
| 19 | 1124S-19P | 1124R-19P | 1.417(36.0) | 1.575(40.0) |
| 20 | 1124S-20P | 1124R-20P | 1.496(38.0) | 1.654(42.0) |

WAFER 1124R(90°)



P.C.B LAYOUT



0.079(2.00mm) Pitch Wire to Board Connector SMT TYPE 90⁰

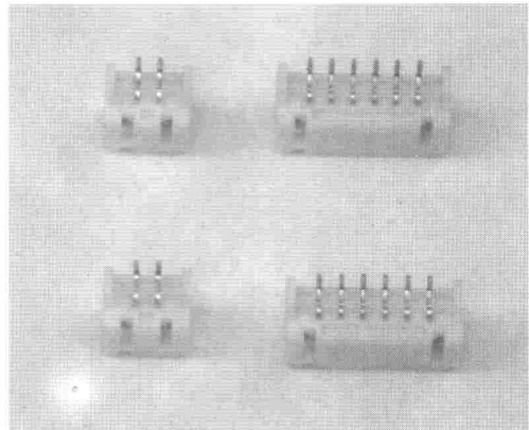
1124 Series

Features:

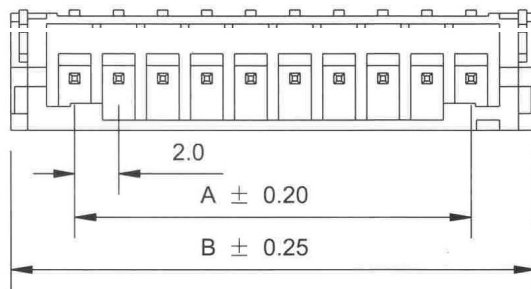
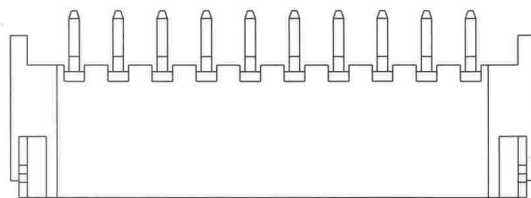
Insulator: Nylon6T
 Contact: Brass
 Finish: Tin Plated

Specifications:

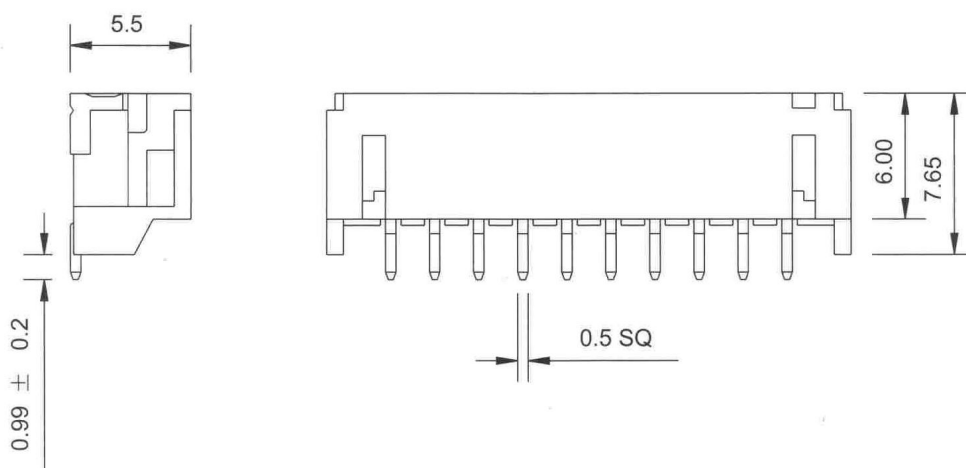
Voltage rating: AC/DC.250V
 Current rating: AC/DC.2A
 Withstand Voltage: 800V AC/min
 Insulation resistance: 1000M Ω min
 Temperature range: -25 $^{\circ}$ C - +85 $^{\circ}$ C

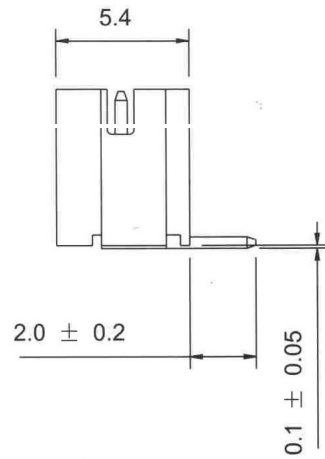
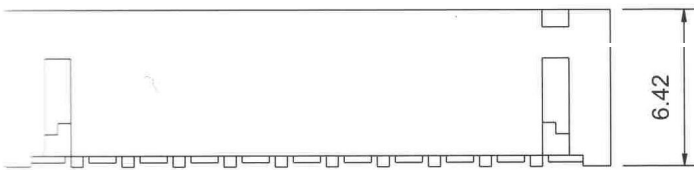
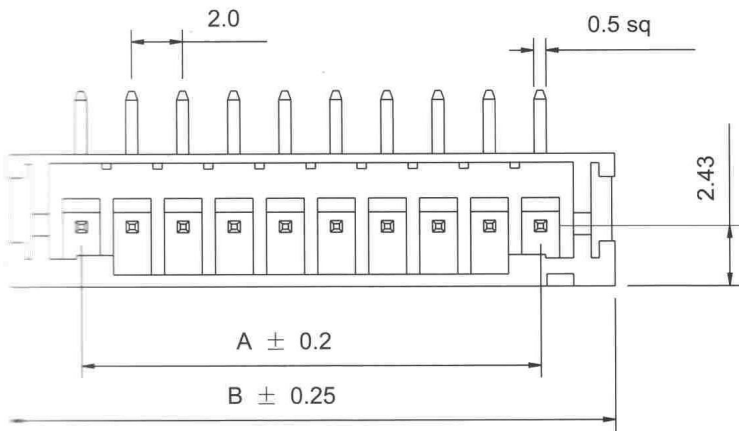


1124R SMT90⁰



| Circuits | Dim.A | Dim.B |
|----------|-------|-------|
| 2 | 2.0 | 7.98 |
| 3 | 4.0 | 9.98 |
| 4 | 6.0 | 11.98 |
| 5 | 8.0 | 13.98 |
| 6 | 10.0 | 15.98 |
| 7 | 12.0 | 17.98 |
| 8 | 14.0 | 19.98 |
| 9 | 16.0 | 21.98 |
| 10 | 18.0 | 23.98 |
| 11 | 20.0 | 25.98 |
| 12 | 22.0 | 27.98 |
| 13 | 24.0 | 29.98 |
| 14 | 26.0 | 31.98 |
| 15 | 28.0 | 33.98 |
| 16 | 30.0 | 35.98 |





| Circuits | Dim.A | Dim.B |
|----------|-------|-------|
| 2 | 2.0 | 7.98 |
| 3 | 4.0 | 9.98 |
| 4 | 6.0 | 11.98 |
| 5 | 8.0 | 13.98 |
| 6 | 10.0 | 15.98 |
| 7 | 12.0 | 17.98 |
| 8 | 14.0 | 19.98 |
| 9 | 16.0 | 21.98 |

| Circuits | Dim.A | Dim.B |
|----------|-------|-------|
| 10 | 18.0 | 23.98 |
| 11 | 20.0 | 25.98 |
| 12 | 22.0 | 27.98 |
| 13 | 24.0 | 29.98 |
| 14 | 26.0 | 32.98 |
| 15 | 28.0 | 33.98 |
| 16 | 30.0 | 35.98 |