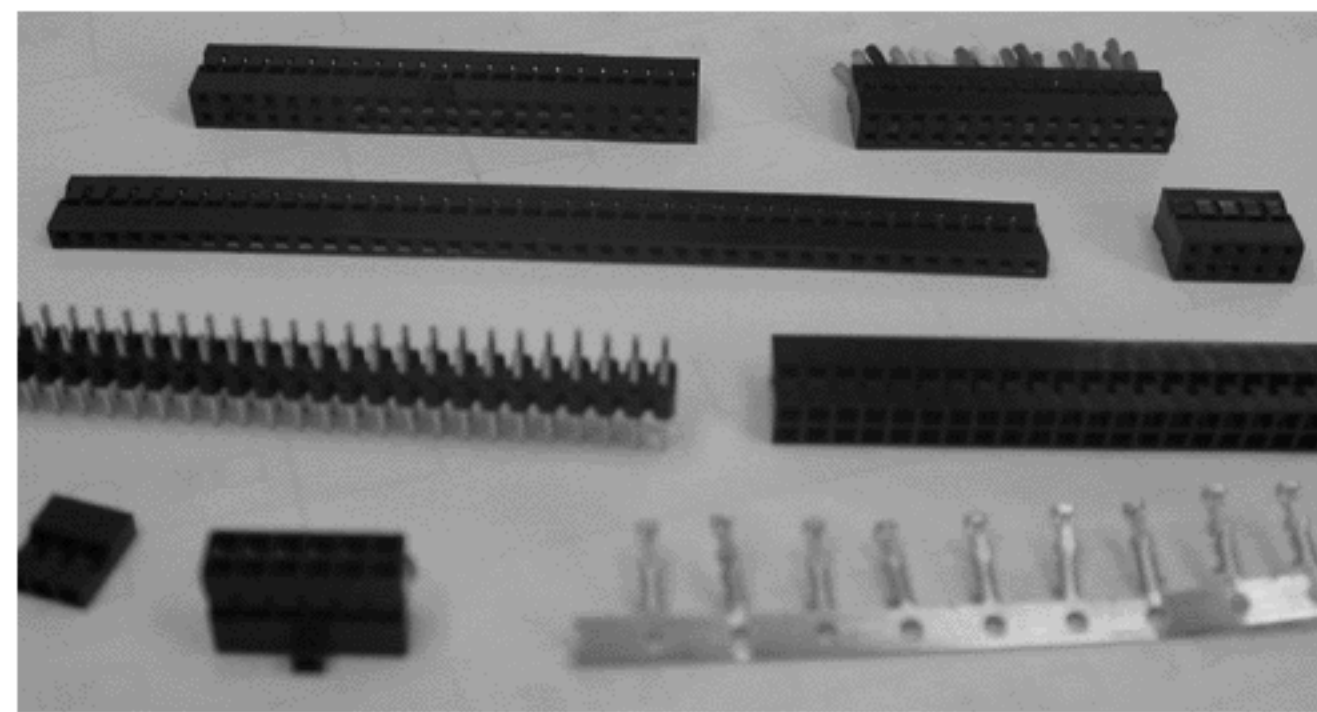


0.079" (2.00mm) Pitch Crimp Connector & Pin Header

1126/1127 Series

SPECIFICATION

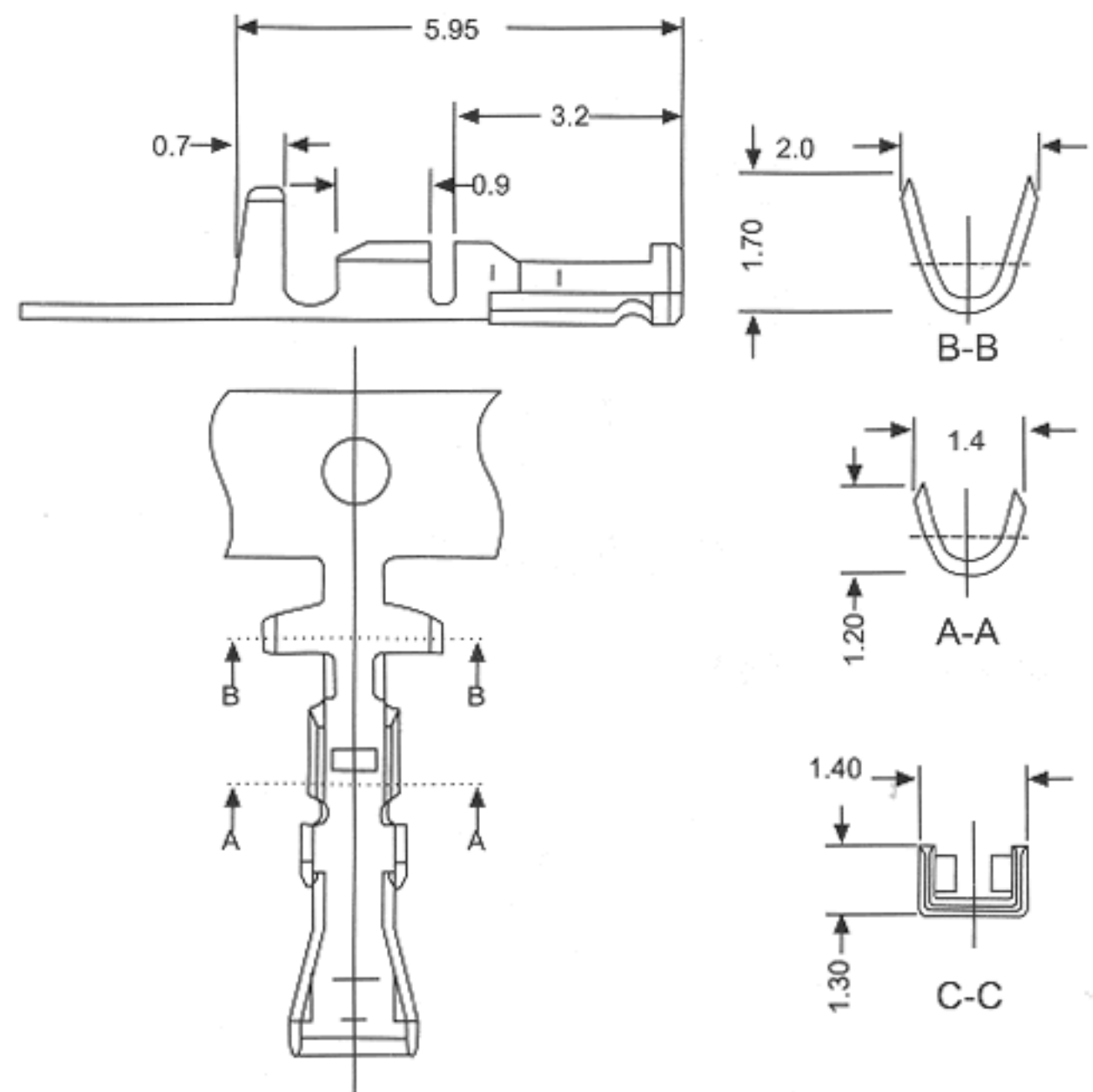
Poles: 2-20 (Single row), 1126 Series
 4-80 (Double row), 1127 Series
 Voltage rating: AC 250V, DC 350V
 Current rating: AC, DC, 3A
 Withstand voltage: 1000V AC/min.
 Insulation resistance: 1000M Ω /min.
 Temperature range: -25°C ~ +85°C
 Applicable PC board thickness: 0.063" (1.6mm)
 Contact resistance: Initial value/10m Ω max.
 After environmental testing/20m Ω max.



TERMINAL

Part No: 1127T
 Applicable wires: AWG#22-28
 Material: Phos. Bronze (Brass)
 Finish: Gold-plated/gold flash
 Hardness: H
 Thickness: 0.2mm

TERMINAL 1127T



HOUSING

Part No: 1126H (Single Row)
 1127H (Dual Row)
 Poles: 2-20 (Single Row)
 4-80 (Dual Row)
 Material: Nylon 66, UL 94V-1

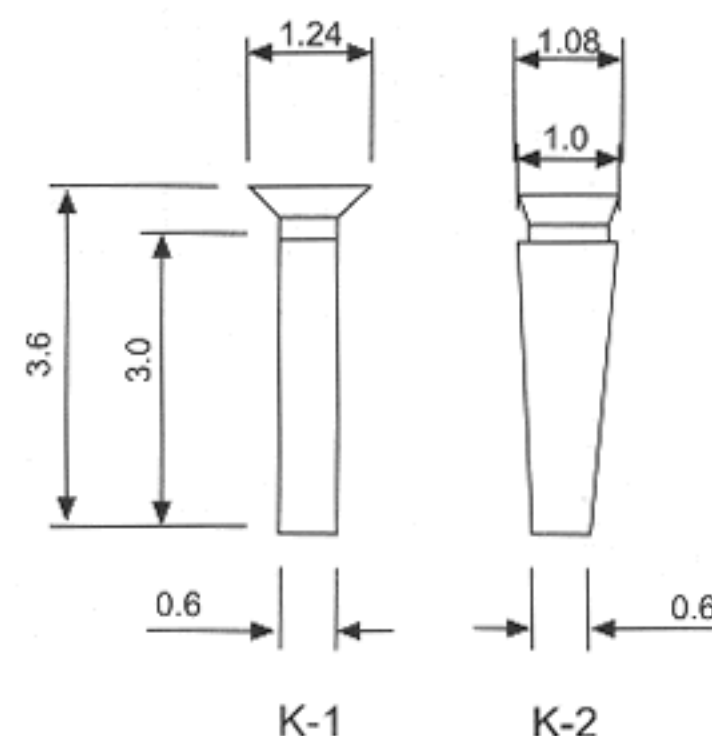
WAFER

Part No: 1126S (Single Row), 1127S (Dual Row) (180°)
 1126R (Single Row), 1127R (Dual Row) (90°)
 Poles: 2-40 (Single row)
 4-80 (Double row)
 Material: Post: Brass. Gold/plated
 Base: UL 94V-0, PBT

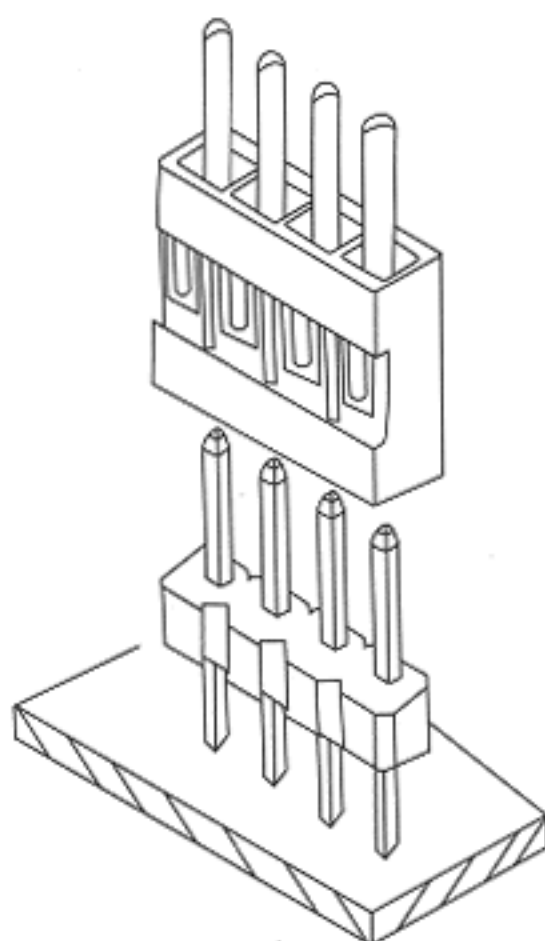
POLARIZATION KEY

Part No: 1127K-BA (Color White)
 1127K-BB (Color Black)

POLARIZATION KEY 1127K



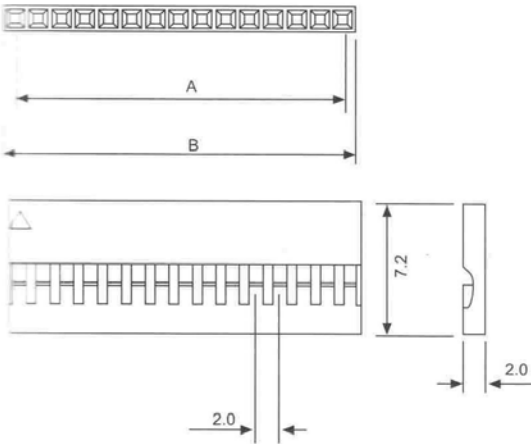
Dimension: mm



0.079" (2.00mm) Pitch Crimp Connector & Pin Header

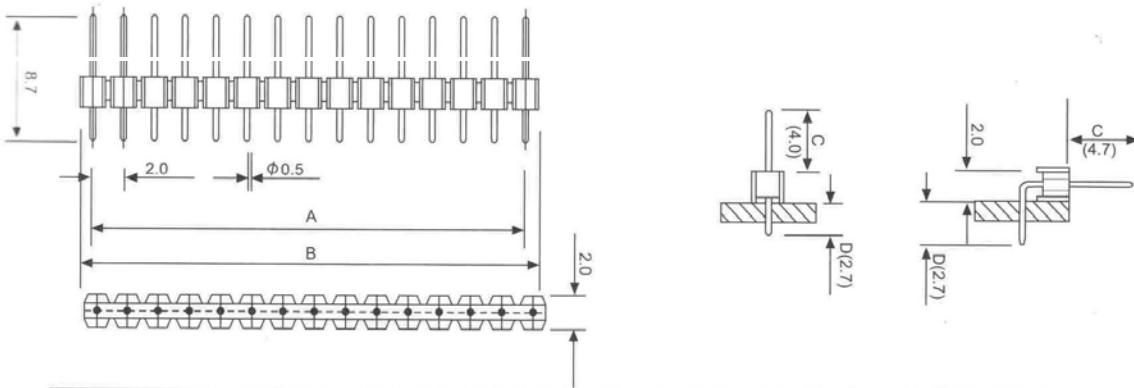
1126 Series

HOUSING 1126H



Poles	PART NO.	Dimension.(mm)		Poles	PART NO.	Dimension.(mm)	
		A	B+0.3			A	B+0.3
				1×21	1126H-1×21P	40.0	42.0
1×2	1126H-1×2P	2.0	4.0	1×22	1126H-1×22P	42.0	44.0
1×3	1126H-1×3P	4.0	6.0	1×23	1126H-1×23P	44.0	46.0
1×4	1126H-1×4P	6.0	8.0	1×24	1126H-1×24P	46.0	48.0
1×5	1126H-1×5P	8.0	10.0	1×25	1126H-1×25P	48.0	50.0
1×6	1126H-1×6P	10.0	12.0	1×26	1126H-1×26P	50.0	52.0
1×7	1126H-1×7P	12.0	14.0	1×27	1126H-1×27P	52.0	54.0
1×8	1126H-1×8P	14.0	16.0	1×28	1126H-1×28P	54.0	56.0
1×9	1126H-1×9P	16.0	18.0	1×29	1126H-1×29P	56.0	58.0
1×10	1126H-1×10P	18.0	20.0	1×30	1126H-1×30P	58.0	60.0
1×11	1126H-1×11P	20.0	22.0	1×31	1126H-1×31P	60.0	62.0
1×12	1126H-1×12P	22.0	24.0	1×32	1126H-1×32P	62.0	64.0
1×13	1126H-1×13P	24.0	26.0	1×33	1126H-1×33P	64.0	66.0
1×14	1126H-1×14P	26.0	28.0	1×34	1126H-1×34P	66.0	68.0
1×15	1126H-1×15P	28.0	30.0	1×35	1126H-1×35P	68.0	70.0
1×16	1126H-1×16P	30.0	32.0	1×36	1126H-1×36P	70.0	72.0
1×17	1126H-1×17P	32.0	34.0	1×37	1126H-1×37P	72.0	74.0
1×18	1126H-1×18P	34.0	36.0	1×38	1126H-1×38P	74.0	76.0
1×19	1126H-1×19P	36.0	38.0	1×39	1126H-1×39P	76.0	78.0
1×20	1126H-1×20P	38.0	40.0	1×40	1126H-1×40P	78.0	80.0

WAFER 1126S (180°), 1126R(90°)



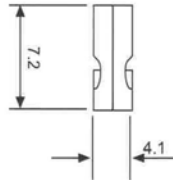
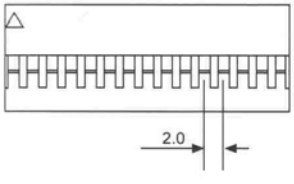
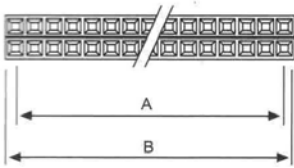
Poles	PART NO.	Dimension.(mm)	
		A	B+0.3
1×2	1126S/R1×2P	2.0	4.0
1×3	1126S/R1×3P	4.0	6.0
1×4	1126S/R1×4P	6.0	8.0
1×5	1126S/R1×5P	8.0	10.0
1×6	1126S/R1×6P	10.0	12.0
1×7	1126S/R1×7P	12.0	14.0
1×8	1126S/R1×8P	14.0	16.0
1×9	1126S/R1×9P	16.0	18.0
1×10	1126S/R1×10P	18.0	20.0
1×11	1126S/R1×11P	20.0	22.0
1×12	1126S/R1×12P	22.0	24.0
1×13	1126S/R1×13P	24.0	26.0
1×14	1126S/R1×14P	26.0	28.0
1×15	1126S/R1×15P	28.0	30.0
1×16	1126S/R1×16P	30.0	32.0
1×17	1126S/R1×17P	32.0	34.0
1×18	1126S/R1×18P	34.0	36.0
1×19	1126S/R1×19P	36.0	38.0
1×20	1126S/R1×20P	38.0	40.0

Poles	PART NO.	Dimension.(mm)	
		A	B+0.3
1×21	1126S/R1×21P	40.0	42.0
1×22	1126S/R1×22P	42.0	44.0
1×23	1126S/R1×23P	44.0	46.0
1×24	1126S/R1×24P	46.0	48.0
1×25	1126S/R1×25P	48.0	50.0
1×26	1126S/R1×26P	50.0	52.0
1×27	1126S/R1×27P	52.0	54.0
1×28	1126S/R1×28P	54.0	56.0
1×29	1126S/R1×29P	56.0	58.0
1×30	1126S/R1×30P	58.0	60.0
1×31	1126S/R1×31P	60.0	62.0
1×32	1126S/R1×32P	62.0	64.0
1×33	1126S/R1×33P	64.0	66.0
1×34	1126S/R1×34P	66.0	68.0
1×35	1126S/R1×35P	68.0	70.0
1×36	1126S/R1×36P	70.0	72.0
1×37	1126S/R1×37P	72.0	74.0
1×38	1126S/R1×38P	74.0	76.0
1×39	1126S/R1×39P	76.0	78.0
1×40	1126S/R1×40P	78.0	80.0

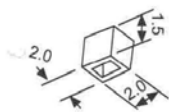
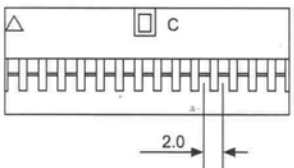
0.079" (2.00mm) Pitch Crimp Connector & Pin Header

1127 Series

HOUSING 1127H



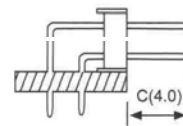
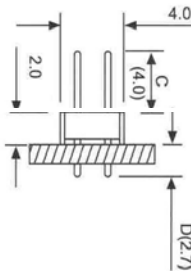
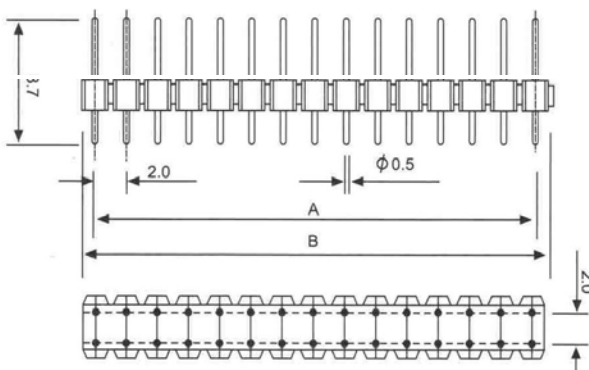
HOUSING 1127H-C



Poles	PART NO.	Dimension.(mm)	
		A	B+0.3
2×2	1127H-2×2P	2.5	4.0
2×3	1127H-2×3P	4.0	6.0
2×4	1127H-2×4P	6.0	8.0
2×5	1127H-2×5P	8.0	10.0
2×6	1127H-2×6P	10.0	12.0
2×7	1127H-2×7P	12.0	14.0
2×8	1127H-2×8P	14.0	16.0
2×9	1127H-2×9P	16.0	18.0
2×10	1127H-2×10P	18.0	20.0
2×11	1127H-2×11P	20.0	22.0
2×12	1127H-2×12P	22.0	24.0
2×13	1127H-2×13P	24.0	26.0
2×14	1127H-2×14P	26.0	28.0
2×15	1127H-2×15P	28.0	30.0
2×16	1127H-2×16P	30.0	32.0
2×17	1127H-2×17P	32.0	34.0
2×18	1127H-2×18P	34.0	36.0
2×19	1127H-2×19P	36.0	38.0
2×20	1127H-2×20P	38.0	40.0

Poles	PART NO.	Dimension.(mm)	
		A	B+0.3
2×21	1127H-2×21P	40.0	42.0
2×22	1127H-2×22P	42.0	44.0
2×23	1127H-2×23P	44.0	46.0
2×24	1127H-2×24P	46.0	48.0
2×25	1127H-2×25P	48.0	50.0
2×26	1127H-2×26P	50.0	52.0
2×27	1127H-2×27P	52.0	54.0
2×28	1127H-2×28P	54.0	56.0
2×29	1127H-2×29P	56.0	58.0
2×30	1127H-2×30P	58.0	60.0
2×31	1127H-2×31P	60.0	62.0
2×32	1127H-2×32P	62.0	64.0
2×33	1127H-2×33P	64.0	66.0
2×34	1127H-2×34P	66.0	68.0
2×35	1127H-2×35P	68.0	70.0
2×36	1127H-2×36P	70.0	72.0
2×37	1127H-2×37P	72.0	74.0
2×38	1127H-2×38P	74.0	76.0
2×39	1127H-2×39P	76.0	78.0
2×40	1127H-2×40P	78.0	80.0

WAFER 1127SR (180°), 1127R (90°)



Poles	PART NO.	Dimension.(mm)	
		A	B+0.3
1×2	1127S/R-2×2P	2.0	4.0
1×3	1127S/R-2×3P	4.0	6.0
1×4	1127S/R-2×4P	6.0	8.0
1×5	1127S/R-2×5P	8.0	10.0
1×6	1127S/R-2×6P	10.0	12.0
1×7	1127S/R-2×7P	12.0	14.0
1×8	1127S/R-2×8P	14.0	16.0
1×9	1127S/R-2×9P	16.0	18.0
1×10	1127S/R-2×10P	18.0	20.0
1×11	1127S/R-2×11P	20.0	22.0
1×12	1127S/R-2×12P	22.0	24.0
1×13	1127S/R-2×13P	24.0	26.0
1×14	1127S/R-2×14P	26.0	28.0
1×15	1127S/R-2×15P	28.0	30.0
1×16	1127S/R-2×16P	30.0	32.0
1×17	1127S/R-2×17P	32.0	34.0
1×18	1127S/R-2×18P	34.0	36.0
1×19	1127S/R-2×19P	36.0	38.0
1×20	1127S/R-2×20P	38.0	40.0

Poles	PART NO.	Dimension.(mm)	
		A	B+0.3
2×21	1127S/R-2×21P	40.0	42.0
2×22	1127S/R-2×22P	42.0	44.0
2×23	1127S/R-2×23P	44.0	46.0
2×24	1127S/R-2×24P	46.0	48.0
2×25	1127S/R-2×25P	48.0	50.0
2×26	1127S/R-2×26P	50.0	52.0
2×27	1127S/R-2×27P	52.0	54.0
2×28	1127S/R-2×28P	54.0	56.0
2×29	1127S/R-2×29P	56.0	58.0
2×30	1127S/R-2×30P	58.0	60.0
2×31	1127S/R-2×31P	60.0	62.0
2×32	1127S/R-2×32P	62.0	64.0
2×33	1127S/R-2×33P	64.0	66.0
2×34	1127S/R-2×34P	66.0	68.0
2×35	1127S/R-2×35P	68.0	70.0
2×36	1127S/R-2×36P	70.0	72.0
2×37	1127S/R-2×37P	72.0	74.0
2×38	1127S/R-2×38P	74.0	76.0
2×39	1127S/R-2×39P	76.0	78.0
2×40	1127S/R-2×40P	78.0	80.0