

# 0.098" (2.50 mm) Pitch Center Mini Latch Connector

1128 Series

## SPECIFICATION

Poles:2-20  
Voltage rating: AC250V,DC 350V  
Current rating: AC,DC, 2A  
Withstand voltage:1000V AC/min.  
Insulation resistance:1000M  $\Omega$  /min.  
Temperature range:-25°C ~ +85°C  
Applicable PC board thickness:0.063 " (1.6mm)  
Contact resistance:Initial value/10m  $\Omega$  max.  
After environmental testing/20m  $\Omega$  max.

## TERMINAL

Part No:1128T  
Applicable wires:AWG#22-28  
Material:Phos.Bronze(Brass)  
Finish:Tin/plated  
Hardness:H  
Thickness:0.2mm

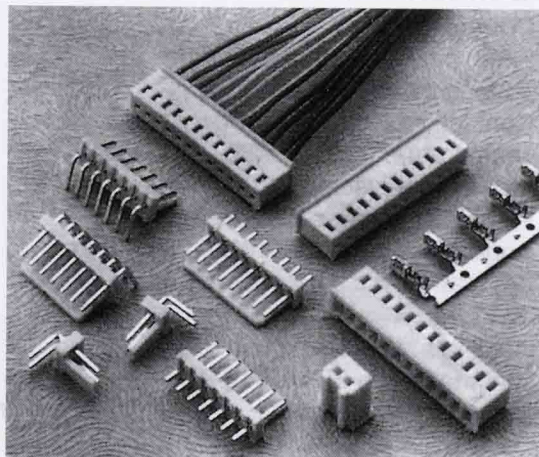
## HOUSING

Part No:1128H  
Poles:2-20  
Material:Nylon66 UL 94V-2

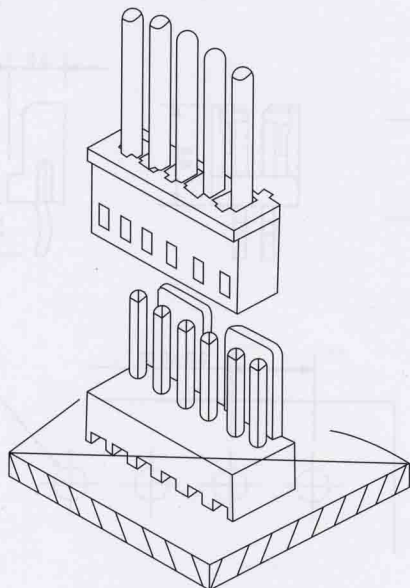
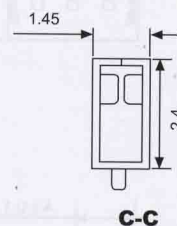
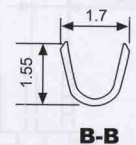
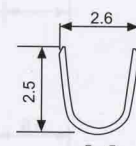
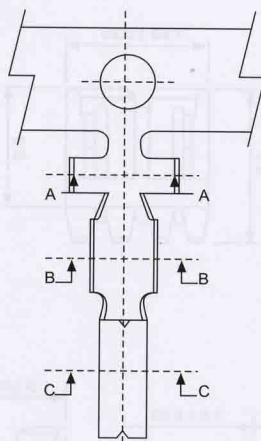
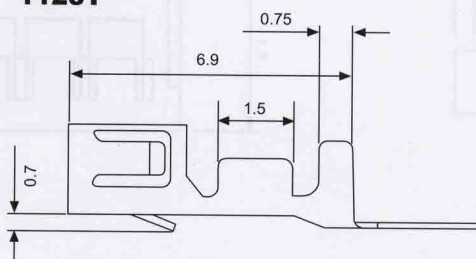
## WAFER

Part No:1128S(180°)  
1128R(90°)  
Poles:2-20  
Material:Post:Brass.Tin/plated  
Base: Nylon66 UL 94V-2

Dimension:mm



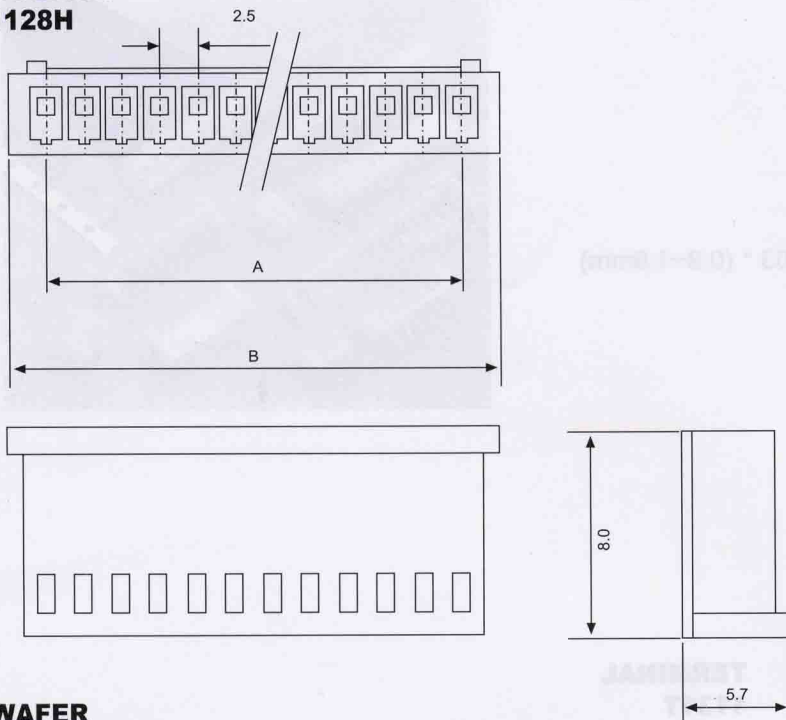
## TERMINAL 1128T



# 0.098" (2.50 mm) Pitch Center Mini Latch Connector

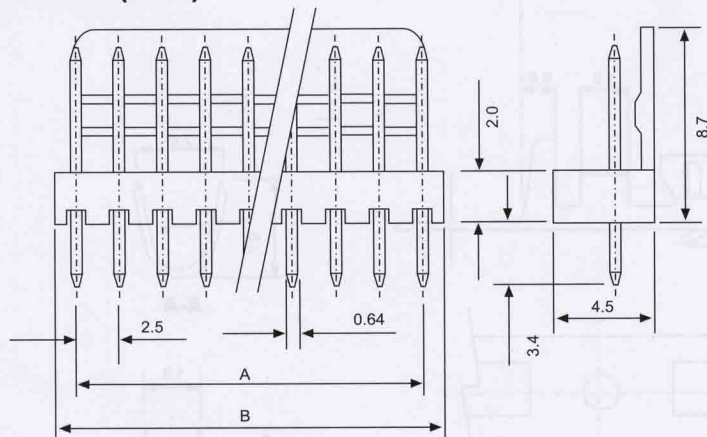
1128 Series

## HOUSING 1128H

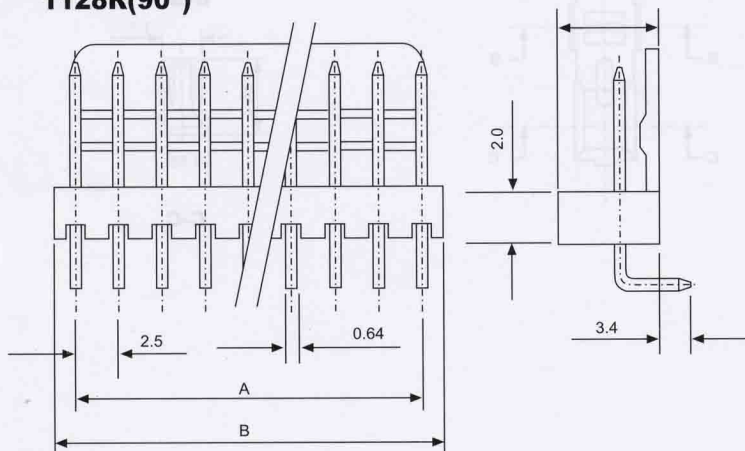


Poles	PART NO.	Dimension in.(mm)	
		A	B
2	1128H-2P	2.5	7.30
3	1128H-3P	5.0	9.80
4	1128H-4P	7.5	12.30
5	1128H-5P	10.00	14.80
6	1128H-6P	12.50	17.30
7	1128H-7P	15.00	19.80
8	1128H-8P	17.50	22.30
9	1128H-9P	20.00	24.80
10	1128H-10P	22.50	27.30
11	1128H-11P	25.00	29.80
12	1128H-12P	27.50	32.30
13	1128H-13P	30.00	34.80
14	1128H-14P	32.50	37.30
15	1128H-15P	35.00	39.80
16	1128H-16P	37.50	42.30
17	1128H-17P	40.00	44.80
18	1128H-18P	42.50	47.30
19	1128H-19P	45.00	49.80
20	1128H-20P	47.50	52.30

## WAFER 1128S(180°)



## WAFER 1128R(90°)



Poles	PART NO.		Dimension in.(mm)	
	TOP ENTRY TYPE	SIDE ENTRY TYPE	A	B
2	1128S-2P	1128R-2P	2.5	5.10
3	1128S-3P	1128R-3P	5.0	7.60
4	1128S-4P	1128R-4P	7.5	10.10
5	1128S-5P	1128R-5P	10.00	12.60
6	1128S-6P	1128R-6P	12.50	15.10
7	1128S-7P	1128R-7P	15.00	17.60
8	1128S-8P	1128R-8P	17.50	20.10
9	1128S-9P	1128R-9P	20.00	22.60
10	1128S-10P	1128R-10P	22.50	25.10
11	1128S-11P	1128R-11P	25.00	27.60
12	1128S-12P	1128R-12P	27.50	30.10
13	1128S-13P	1128R-13P	30.00	32.60
14	1128S-14P	1128R-14P	32.50	35.10
15	1128S-15P	1128R-15P	35.00	37.60
16	1128S-16P	1128R-16P	37.50	40.10
17	1128S-17P	1128R-17P	40.00	42.60
18	1128S-18P	1128R-18P	42.50	45.10
19	1128S-19P	1128R-19P	45.00	47.60
20	1128S-20P	1128R-20P	47.50	50.10