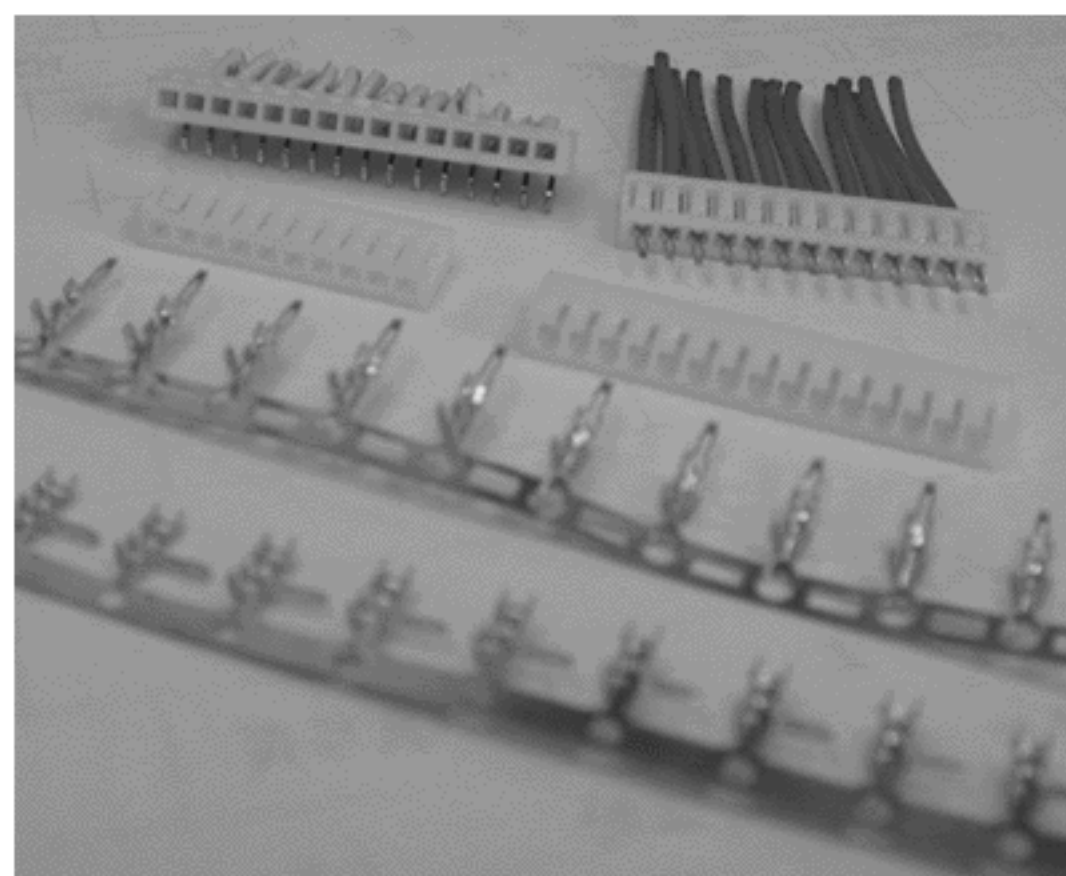


0.079" (2.00mm) Pitch Center Crimp Connector

1130 Series

SPECIFICATION

- Voltage rating: AC,DC 250V
- Current rating: AC,DC, 2A
- Withstand voltage:800V AC/min.
- Insulation resistance:1000M Ω /min..
- Temperature range:-25 $^{\circ}$ C~ +85 $^{\circ}$ C
- Applicable PC board thickness:0.031 " ~0.063 " (0.8~1.6mm)
- Contact resistance:Initial value/10m Ω max.
After environmental testing/20m Ω max.



TERMINAL

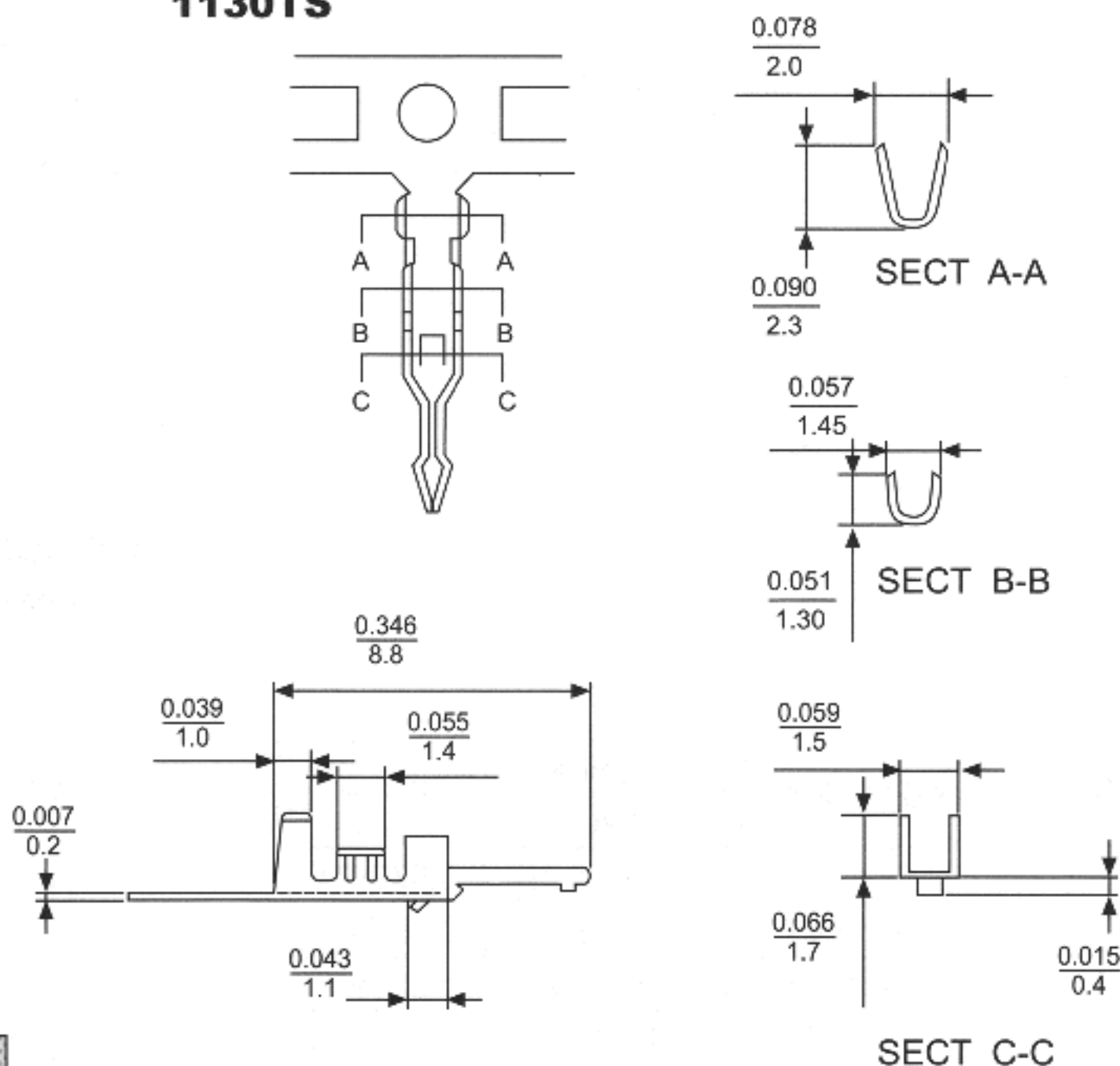
- Part No:1130TS(180 $^{\circ}$),1130TR(90 $^{\circ}$)
- Applicable wires:AWG#24-30
- Material:Phos.Bronze(Brass)
- Finish:Tin/plated
- Hardness:H
- Thickness:0.2mm

HOUSING

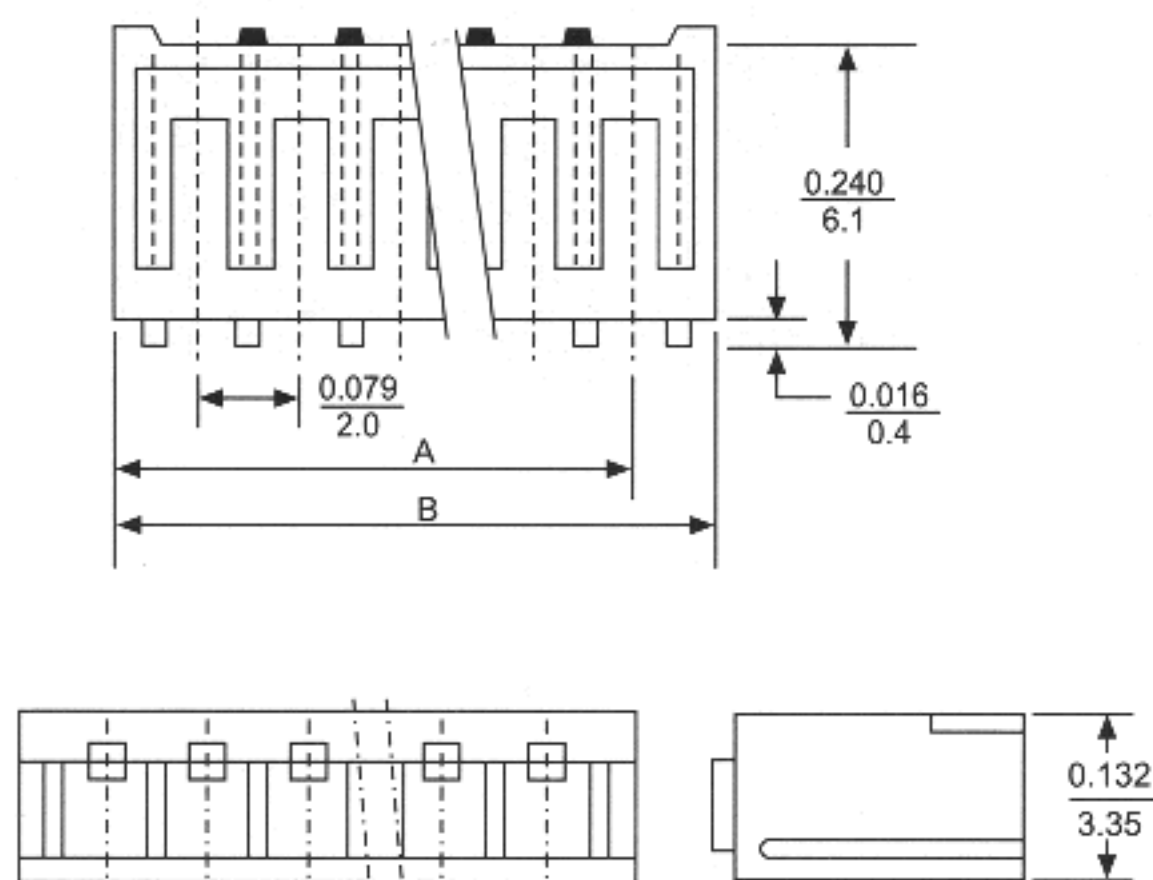
- Part No:1130HS(180 $^{\circ}$),1130HR(90 $^{\circ}$)
- Poles:2-16
- Material:Nylon 66 UL 94V-0 Natural

Dimension: $\frac{\text{Inch}}{\text{mm}}$

TERMINAL(180 $^{\circ}$) 1130TS



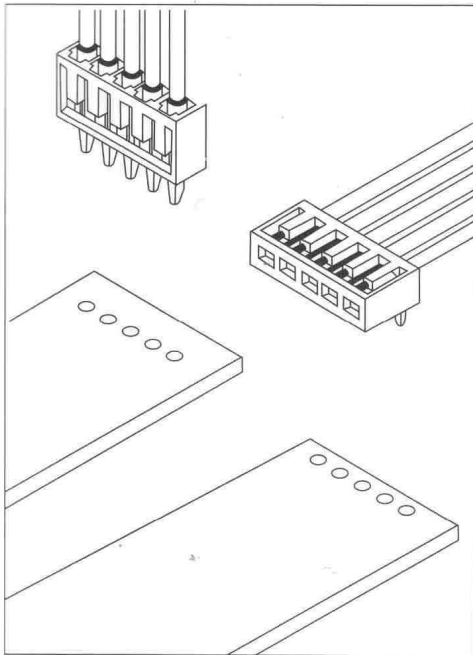
HOUSING(180 $^{\circ}$) 1130HS



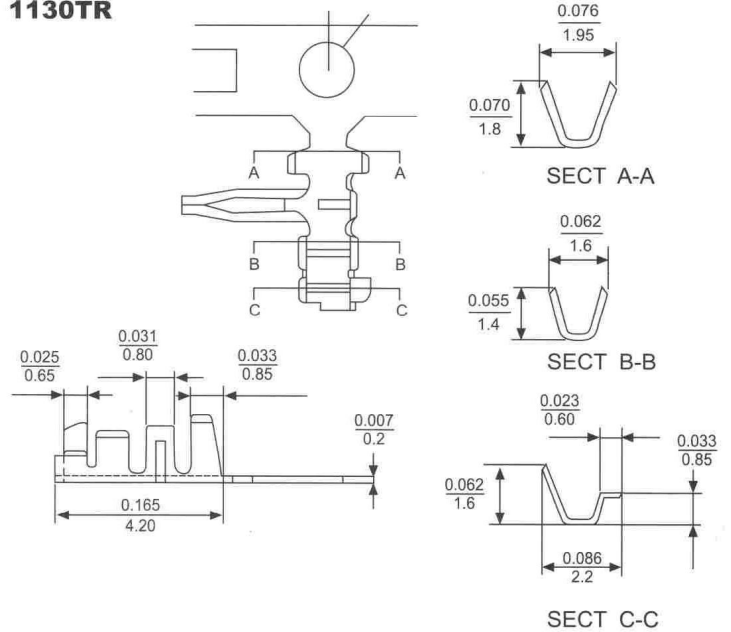
Poles	PART NO.	Dimension in.(mm)	
		A	B
2	1130HS-2P	0.205(5.2)	0.079(2.0)
3	1130HS-3P	0.283(7.2)	0.157(4.0)
4	1130HS-4P	0.362(9.2)	0.236(6.0)
5	1130HS-5P	0.441(11.2)	0.315(8.0)
6	1130HS-6P	0.520(13.2)	0.394(10.0)
7	1130HS-7P	0.584(15.2)	0.472(12.0)
8	1130HS-8P	0.677(17.2)	0.551(14.0)
9	1130HS-9P	0.756(19.2)	0.630(16.0)
10	1130HS-10P	0.835(21.2)	0.709(18.0)
11	1130HS-11P	0.913(23.2)	0.787(20.0)
12	1130HS-12P	0.992(25.2)	0.866(22.0)
13	1130HS-13P	1.071(27.2)	0.945(24.0)
14	1130HS-14P	1.150(29.2)	1.024(26.0)
15	1130HS-15P	1.228(31.2)	1.102(28.0)
16	1130HS-16P	1.307(33.2)	1.181(30.0)

0.079" (2.00mm) Pitch Center Crimp Connector

1130 Series



TERMINAL(90°) 1130TR



HOUSING(90°) 1130HR

Poles	PART NO.	Dimension in.(mm)	
		A	B
2	1130HR-2P	0.205(5.2)	0.079(2.0)
3	1130HR-3P	0.283(7.2)	0.157(4.0)
4	1130HR-4P	0.362(9.2)	0.236(6.0)
5	1130HR-5P	0.441(11.2)	0.315(8.0)
6	1130HR-6P	0.520(13.2)	0.394(10.0)
7	1130HR-7P	0.584(15.2)	0.472(12.0)
8	1130HR-8P	0.677(17.2)	0.551(14.0)
9	1130HR-9P	0.756(19.2)	0.630(16.0)
10	1130HR-10P	0.835(21.2)	0.709(18.0)
11	1130HR-11P	0.913(23.2)	0.787(20.0)
12	1130HR-12P	0.992(25.2)	0.866(22.0)
13	1130HR-13P	1.071(27.2)	0.945(24.0)
14	1130HR-14P	1.150(29.2)	1.024(26.0)
15	1130HR-15P	1.228(31.2)	1.102(28.0)
16	1130HR-16P	1.307(33.2)	1.181(30.0)

