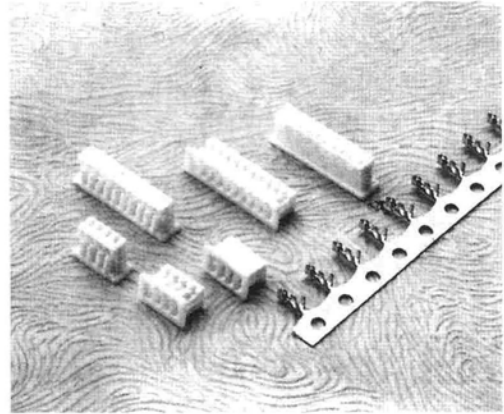


0.049" (1.25mm) Pitch Wire to Board Crimp Terminal

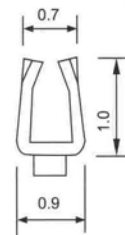
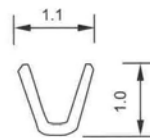
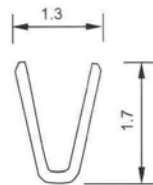
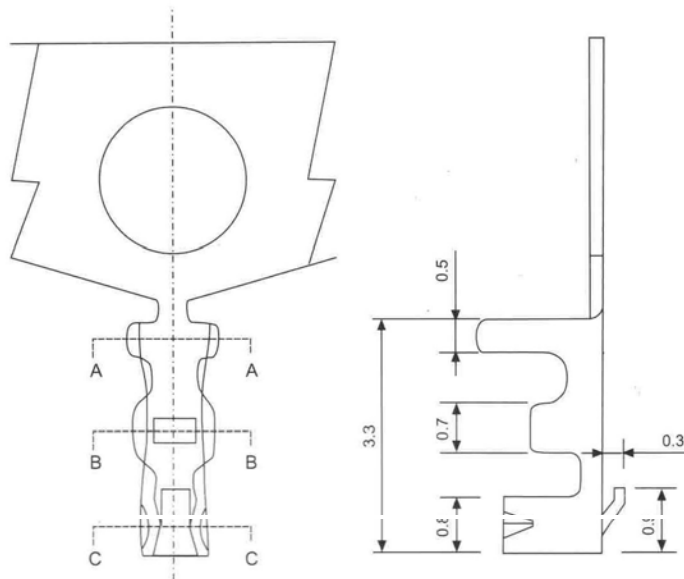
1132 Series

SPECIFICATION

Current Rating:1A AC/DC
 Voltage:rating:100V AC/DC
 Contact Resistance:20MΩ (max)
 Temperature Range:-25℃ To +85℃
 Insulation Resistance:1,000MΩ Min
 Withstand Voltage:800V AC/minute
 Applicable Wires:awg# 28 To #32
 Accepts:1132 Series Housing



TERMINAL 1132T



SECTION:A-A

SECTION:B-B

SECTION:C-C

CONTACT INFORMATION

PART NO.	WIRE RANGE	INSULATION O.D.	MATERIAL	FINISH
1132T (T)	AWG#28~#32	0.8mm(MAX)	PHOSPHOR BRONZE	TIN-PLATED
1132T (G)	AWG#28~#32	0.8mm(MAX)	PHOSPHOR BRONZE	GOLD-FLASH

0.049" (1.25mm) Pitch Wire to Board Crimp Housing

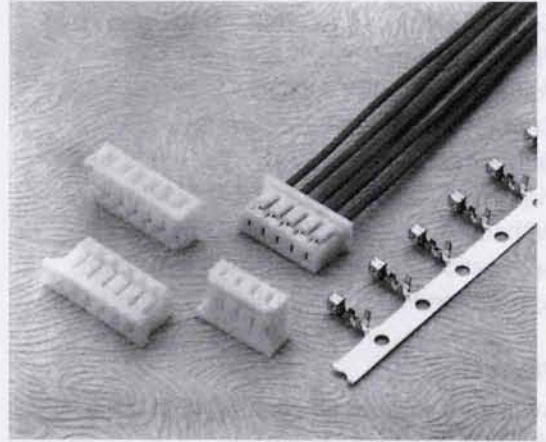
1132 Series

SPECIFICATION

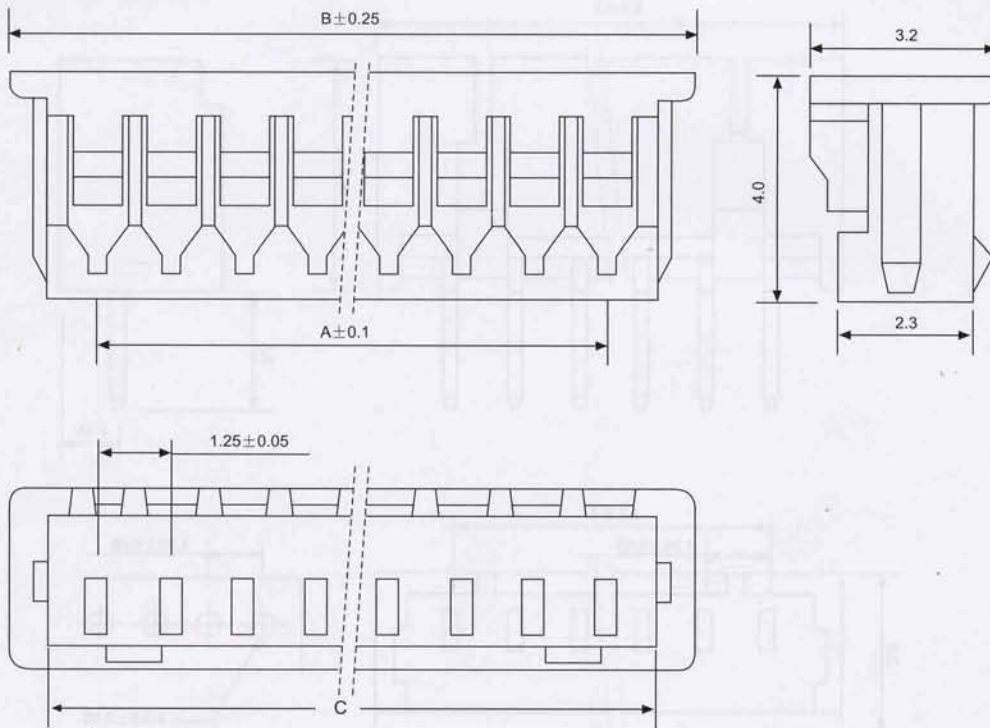
Current Rating: 1A AC/DC
 Pitch Between Poles: 1.25mm
 Voltag rating: 100V AC/DC
 Contact Resistance: 20M Ω (max)
 Temperature Range: -25°C To +85°C
 Insulation Resistance: 1,000M Ω Min
 Withstand Voltage: 800V AC/minute
 Applicable Wires: awg# 28 To #32

FEATURE

Available Number Of Circuits: 2 To 15
 Material: Nylon66 UL 94V-0
 Accepts: 1132crimp Terminal
 Mates With: 1132 Series Wafer



HOUSING 1132H(180°)



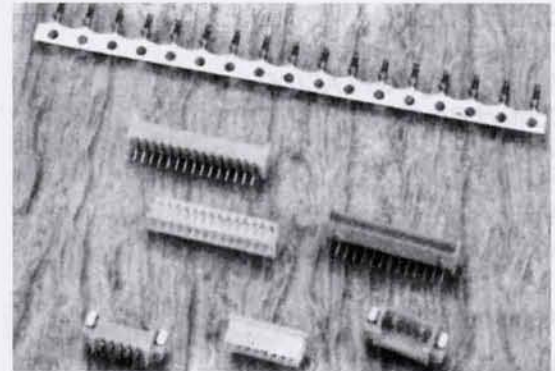
POLES	PART NO.	DIMENSION IN.(MM)			POLES	PART NO.	DIMENSION IN.(MM)		
		A	B	C			A	B	C
2	1132H-2P	1.25	4.25	2.95	9	1132H-9P	10.00	13.00	11.70
3	1132H-3P	2.50	5.50	4.20	10	1132H-10P	11.25	14.25	12.95
4	1132H-4P	3.75	6.75	5.45	11	1132H-11P	12.50	15.50	14.20
5	1132H-5P	5.00	8.00	6.70	12	1132H-12P	13.75	16.75	15.45
6	1132H-6P	6.25	9.25	7.95	13	1132H-13P	15.00	18.00	16.70
7	1132H-7P	7.50	10.50	9.20	14	1132H-14P	16.25	19.25	17.95
8	1132H-8P	8.75	11.75	10.45	15	1132H-15P	17.50	20.50	19.20

0.049" (1.25mm) Pitch Wire to Board Connector 180°

1132 Series

SPECIFICATION

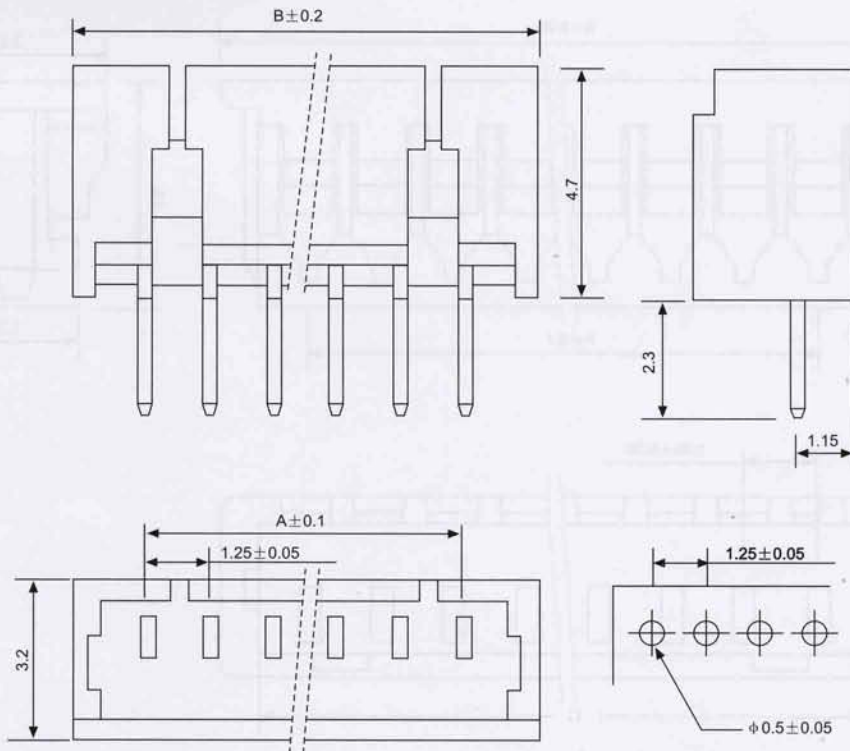
Current Rating: 1A AC/DC
 Pitch Between Poles: 1.25mm
 Voltage rating: 100V AC/DC
 Contact Resistance: 20M Ω (max)
 Temperature Range: -25°C To +85°C
 Insulation Resistance: 1,000M Ω Min
 Withstand Voltage: 800V AC/minute
 Application P.C.B Thickness: 0.6~1.0mm
 Application P.C.B Hold Dia: ϕ 0.5mm \pm 0.05



FEATURE

Available Number Of Circuits: 2 To 15
 Material: Nylon66 UL 94v-0
 Contact: 0.32mm(0.012 ")square Pin,brass:tin Plated
 Mates with: 1132 Series Housing

WAFER 1132S(180°)



P.C.B LAYOUT

POLES	PART NO.	DIMENSION IN.(MM)		POLES	PART NO.	DIMENSION IN.(MM)	
		A	B			A	B
2	1132S-2P	1.25	4.25	9	1132S-9P	10.00	13.00
3	1132S-3P	2.50	5.50	10	1132S-10P	11.25	14.25
4	1132S-4P	3.75	6.75	11	1132S-11P	12.50	15.50
5	1132S-5P	5.00	8.00	12	1132S-12P	13.75	16.75
6	1132S-6P	6.25	9.25	13	1132S-13P	15.00	18.00
7	1132S-7P	7.50	10.50	14	1132S-14P	16.25	19.25
8	1132S-8P	8.75	11.75	15	1132S-15P	17.50	20.50

0.049" (1.25mm) Pitch Wire to Board Connector 90°

1132 Series

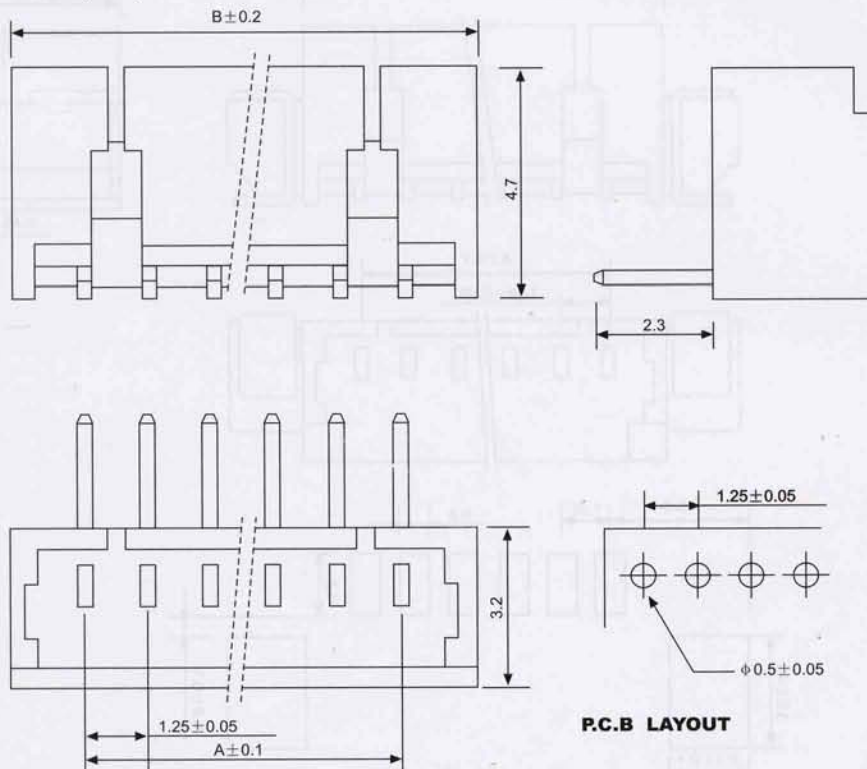
SPECIFICATION

Current Rating: 1A AC/DC
 Pitch Between Poles: 1.25mm
 Voltage rating: 100V AC/DC
 Contact Resistance: 20MΩ (max)
 Temperature Range: -25°C To +85°C
 Insulation Resistance: 1,000MΩ Min
 Withstand Voltage: 800v AC/minute
 Application P.C.B Thickness: 0.6~1.0mm
 Application P.C.B Hold Dia: $\phi 0.5\text{mm} \pm 0.05$

FEATURE

Available Number Of Circuits: 2 To 15
 Material: Nylon66 UL 94V-0
 Contact: 0.32mm(0.012") square Pin, brass: tin Plated
 Mates With 1132 Series Housing

WAFER 1132R(90°)



POLES	PART NO.	DIMENSION IN.(MM)		POLES	PART NO.	DIMENSION IN.(MM)	
		A	B			A	B
2	1132R-2P	1.25	4.25	9	1132R-9P	10.00	13.00
3	1132R-3P	2.50	5.50	10	1132R-10P	11.25	14.25
4	1132R-4P	3.75	6.75	11	1132R-11P	12.50	15.50
5	1132R-5P	5.00	8.00	12	1132R-12P	13.75	16.75
6	1132R-6P	6.25	9.25	13	1132R-13P	15.00	18.00
7	1132R-7P	7.50	10.50	14	1132R-14P	16.25	19.25
8	1132R-8P	8.75	11.75	15	1132R-15P	17.50	20.50