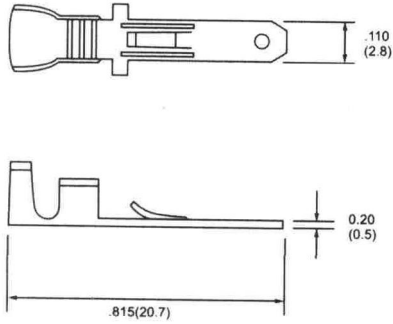


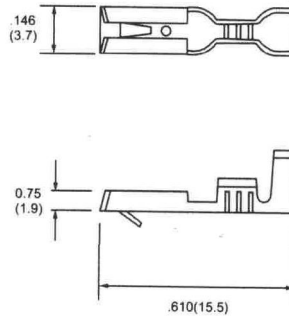
1631-1731 CONNECTOR

0.110 (2.8mm) Series Terminal Housings

1631T Crimp Terminal



1731T Crimp Terminal



Unit: $\frac{\text{Inch}}{\text{mm}}$

Housing 1631

- Material: ABS
PA66
- 2,3,4,6,9 circuits available
- Standard color: natural
- Accepts 1631T terminal
- mates with 1731 series housing

Housing 1731

- Material: ABS
PA66
- 2,3,4,6,9 circuits available
- Standard color: natural
- Accepts 1731T terminal
- mates with 1631 series housing

CIRCUITS	MAX RATEC		DIMENSIONAL INFORMATION	
	AMP	VOLT-AGE	PLUG	RECETACLE
2	5A	250V	<p>1631-2(2K)</p>	<p>1731-2(2K)</p>

CIR CUITS	MAX RATEC		DIMENSIONAL INFORMATION	
	AMP	VOLT- AGE	PLUG	RECETACLE
3	5A	250V	<p>1631-3(3K)</p>	<p>1731-3(3K)</p>
4	5A	250V	<p>1631-4(4K)</p>	<p>1731-4(4K)</p>
6	5A	250V	<p>1631-6(6K)</p>	<p>1731-6(6K)</p>
9	5A	250V	<p>1631-9(9K)</p>	<p>1731-9(9K)</p>