

MINI JUMPER (2.54mm)

206 Series
207 Series

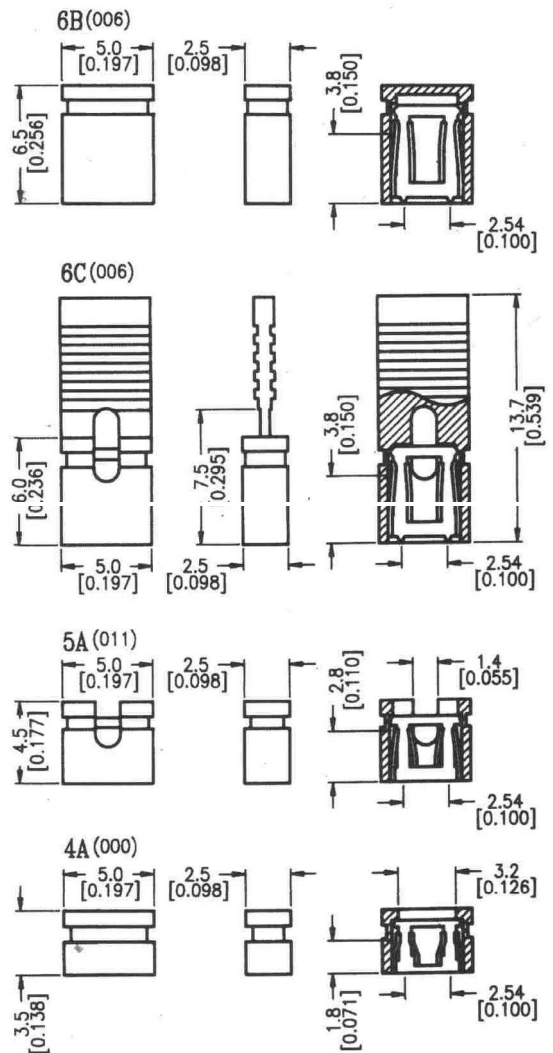
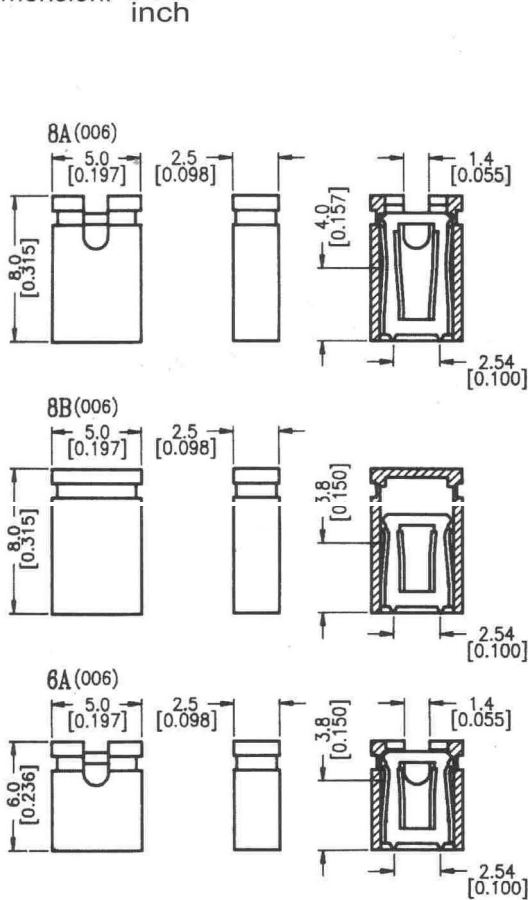
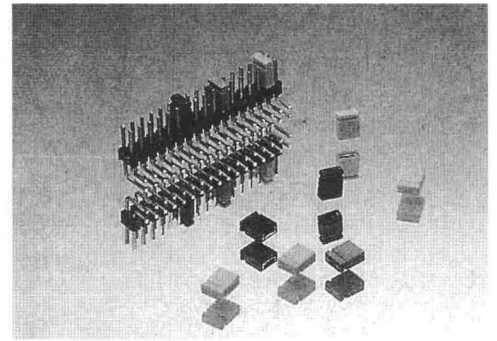
Material

Insulator : P.B.T.+30% Glass Fiber (UL94V-0)
Contact : Phosphor Bronze
Contact Plated : Gold over Nickel or Tin

Specification

Current Rating : 3A
Voltage Rating : 250V AC
Insulation Resistance : 1000MΩ Min. at 500V DC
Operating Temperature: -55°C ~ +105°C
Contact Resistance : 15mΩ Max

Dimension: $\frac{\text{mm}}{\text{inch}}$



Order Informatior

Series No .	Insulator color	Contact plating
207	R	G Flash Gold

- Note:**
- Series No . 206-closed cover 207-Opened cover
 - Normal insulator color is Black, for special color, Put code at end of P/N
White:(W),Red :(R),Yellow(Y), Green:(G),Blue:(B) etc
 - 3.2.0mm Pitch types (detailed specification inquirable)
207-2-3.5AS: Openned cover type ,insulator height 3.5mm.
206-2-5 BS: Closed cover type,insulator height 5.0mm