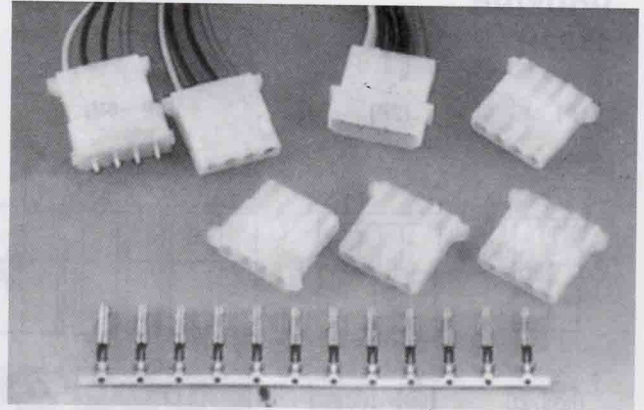


# 0.200" (5.08mm) Pitch Crimp Connector

2430 Series

## SPECIFICATION

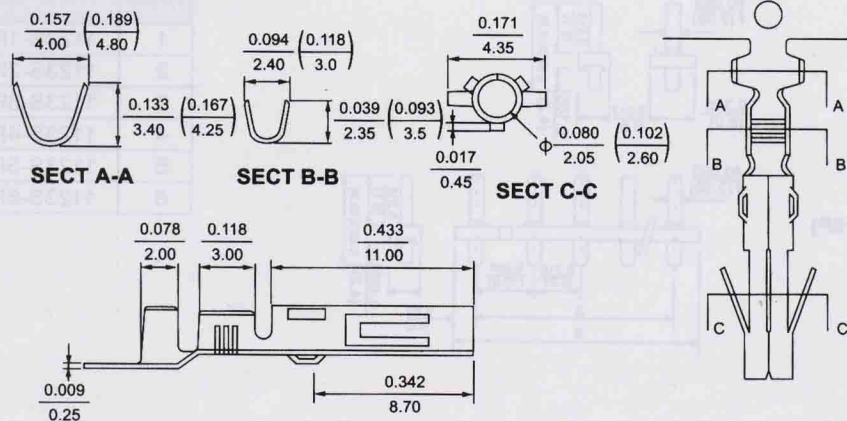
Poles: 4 Circuits  
 Voltage rating: AC, DC 250V  
 Current rating: AC, DC, 7A  
 Withstand voltage: 1500V AC/min.  
 Insulation resistance: 1000M  $\Omega$ /min.  
 Temperature range: -25°C ~ +90°C  
 Applicable PC board thickness: 0.084" (2.13mm)  
 Contact resistance: Initial value/10m  $\Omega$  max.  
 After environmental testing/20m  $\Omega$  max.



## TERMINAL

Part No: 2430T  
 Applicable wires: AWG#16-20  
 Material: Brass  
 Finish: Tin/plated  
 Hardness: SH  
 Thickness: 0.3mm

### TERMINAL 2430T(2430H)



## HOUSING

Part No: 2430H  
 Poles: 4 Circuits  
 Material: Nylon 66, UL 94V-0

Dimension:  $\frac{\text{Inch}}{\text{mm}}$

### HOUSING 2430H

