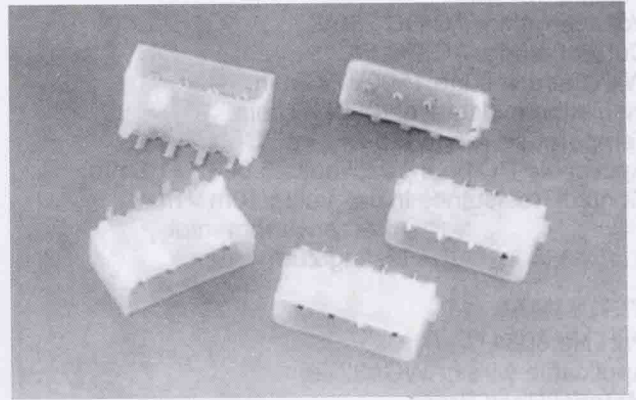


0.200" (5.08mm) 4P Power Supplier Header

2440 Series

SPECIFICATION

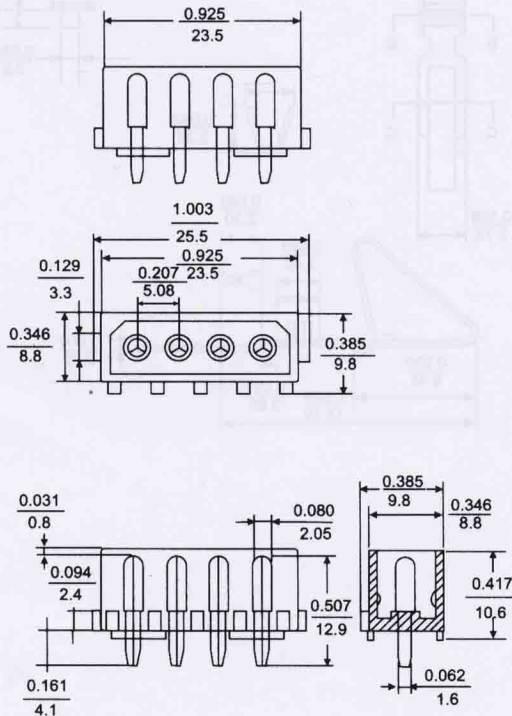
Poles: 4 circuits
 Voltage rating: AC, DC 250V
 Current rating: AC, DC, 7A
 Withstand voltage: 1500V AC/min.
 Insulation resistance: 1000M Ω /min.
 Temperature range: -25°C ~ +90°C
 Mates with 2430H
 Applicable PC board thickness: 0.084" (2.13mm)
 Contact resistance: Initial value/10m Ω max.
 After environmental testing/20m Ω max.



WAFER

Part No: 2440S (180°)
 2440R (90°)
 Poles: 4 circuits
 Material: Post: Brass, Tin/plated
 Base: Nylon 66, UL 94V-2

WAFER 2440S (180°)



WAFER 2440R (90°)

