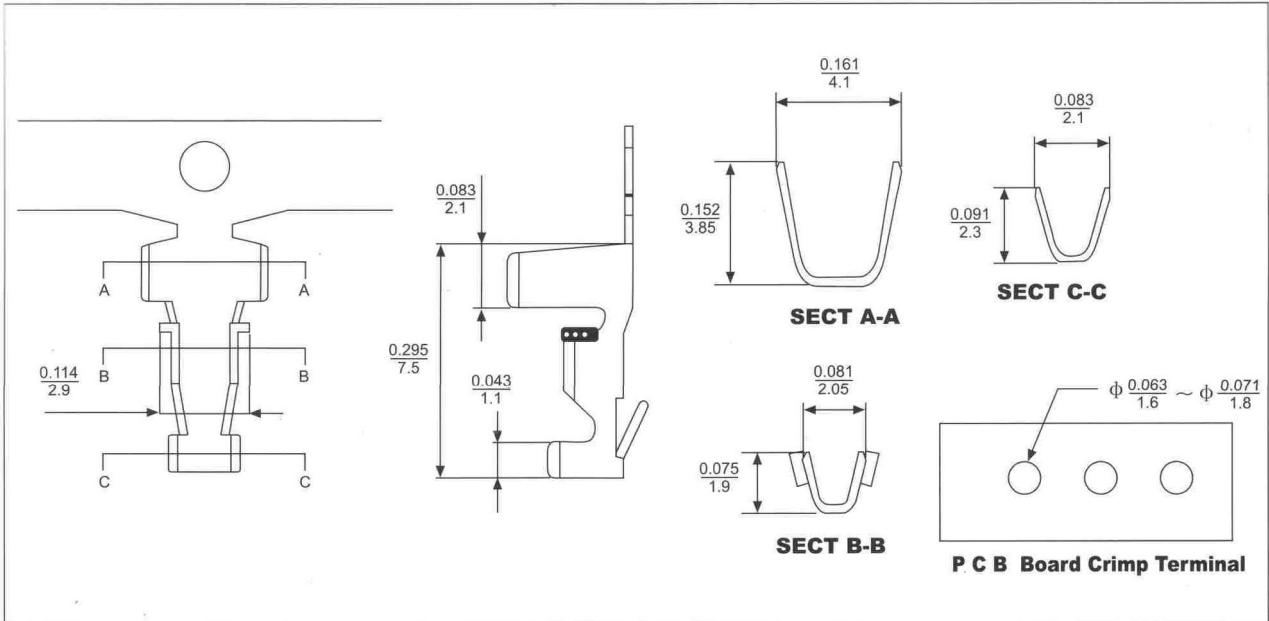


7615 P.C BOARD in Crimp Terminal

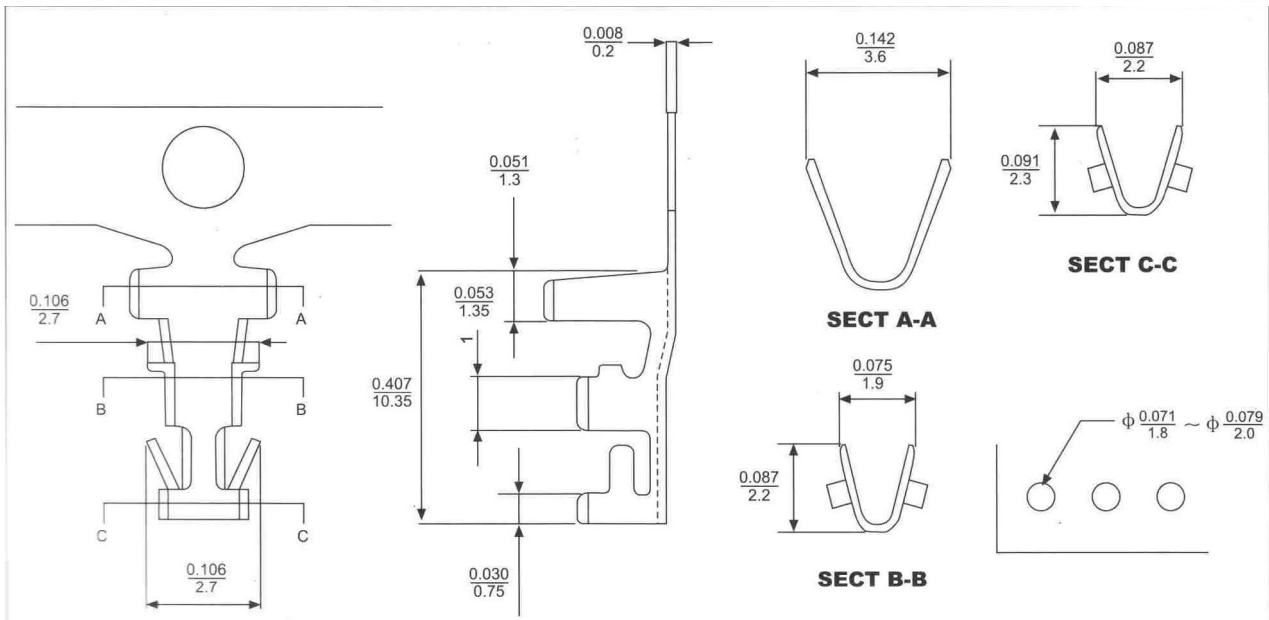


ORDER INFORMATION:

Dimension:inch/mm

Part No.	Material	Thickness	Finish	Wire Range	Q,ty/roll
7615T	Brass/phosphor.Bronze	0.2mm	Tin	AWG18-22	5.000PC

7616 P.C BOARD in Crimp Terminal



ORDER INFORMATION:

Dimension:inch/mm

Part No.	Material	Thickness	Finish	Wire Range	Q,ty/roll
7616T	Brass/phosphor.Bronze	0.2mm	Tin	AWG18-22	5.000PC