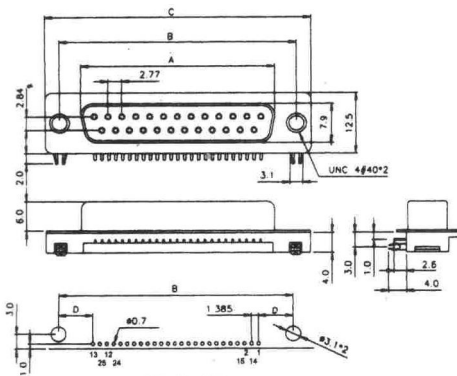
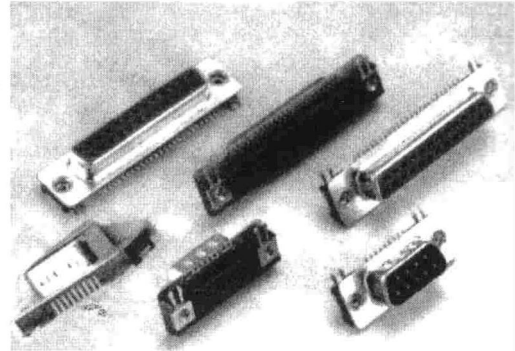


SUPER SLIM D-SUB PCB RIGHT ANGLE CONNECTOR

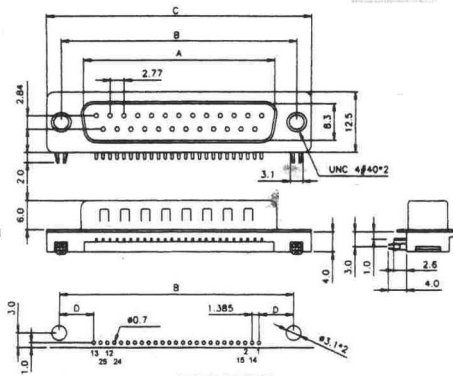
DMRSS Series

POSITION	A	B	C	D
9S	16.30	25.00	30.80	6.95
15S	24.60	33.30	39.30	6.95
25S	38.30	47.10	53.10	6.93
37S	54.80	63.50	69.40	6.82

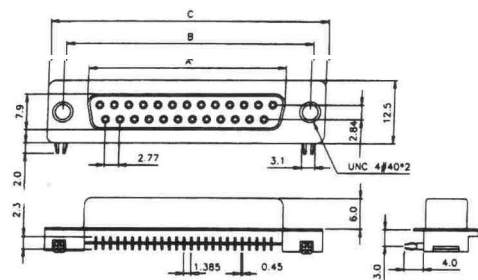
POSITION	A	B	C	D
9P	16.92	25.00	30.80	6.95
15P	25.25	33.30	39.20	6.95
25P	38.93	47.10	53.10	6.93
37P	55.42	63.50	69.40	6.82



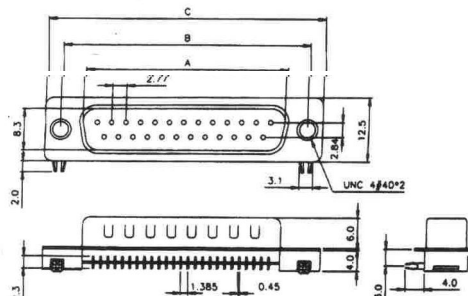
P.C.B. EDGE
P.C. BOARD LAYOUT PATTERN
FEMALE P.C.B. DIP TYPE



P.C.B. EDGE
P.C. BOARD LAYOUT PATTERN
MALE P.C.B. DIP TYPE

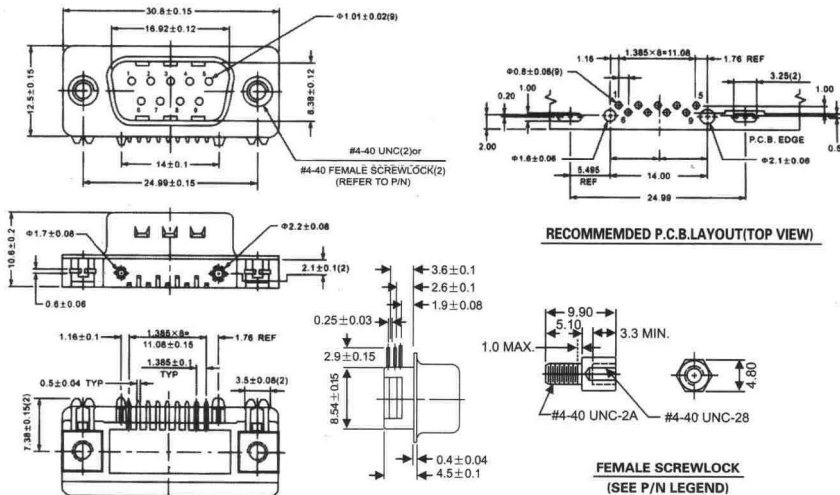


P.C.B. EDGE
P.C. BOARD LAYOUT PATTERN
FEMALE P.C.B. SMT TYPE



P.C.B. EDGE
P.C. BOARD LAYOUT PATTERN
MALE P.C.B. SMT TYPE

9P R/A MALE

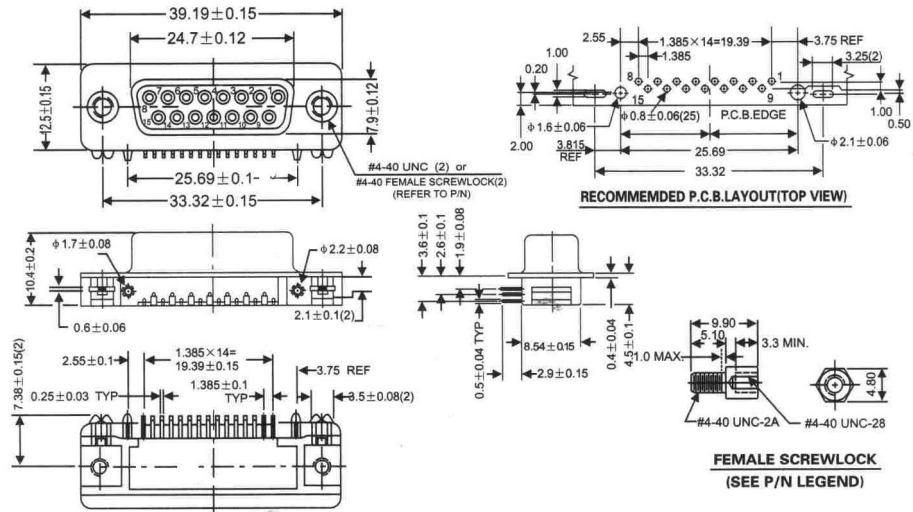


Unit:mm

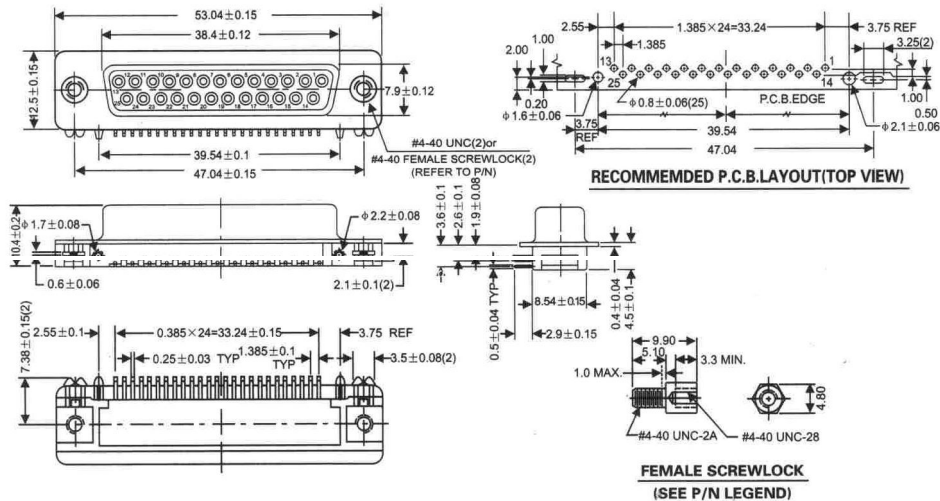
SUPER SLIM D-SUB PCB RIGHT ANGLE CONNECTOR

DMRSS Series

15S(RIGHT ANGLE)



25S(RIGHT ANGLE)



Order Information

DMRSS	A	—	25	P	S	P	B	B	A	3
1	2		3	4	5	6	7	8	9	10

1. SERIES NO.

DMRSS

2. TYPE

A=PCB DIP TYPE
B=PCB SMT TYPE

3. CONTACT NUMBER

09 15 25 37

4. CONTACT TYPE

P=MALE
S=FEMALE

5. CONTACT PLATING

S=SELECTIVE GOLD
G=GOLD FLASH

A=5 μ "GOLD

B=10 μ "GOLD

C=15 μ "GOLD

D=30 μ "GOLD

6. SHELL PLATING

T=TIN

N=NICKEL

Z=ZINC(CHROMATIC)

P=TIN+DIMPLE

Q=NICKEL+DIMPLE

7. PROCESS OPTION

U=4-PRONG BOARDLOCK

8. PARTS OPTION

B=4#40 THREAD RIVET

9. PARTS DIMENSION

A=NON ACCESSORIES

B=LOOSE HEX-SCREWS
(4.8*11.8mm)

C=FIXED HEX-SCREWS
(4.8*11.8mm)

D=LOOSE HEX-SCREWS
(4.8*11.8mm)

E=FIXED HEX-SCREWS
(5.8*12.0mm)

10. INSULATOR COLOR

3=BLACK