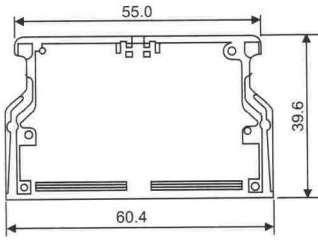
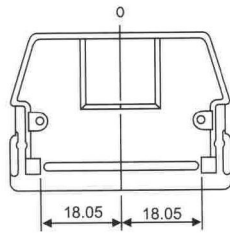


SCSI II D-SUB PCB STRADDLE MOUNT

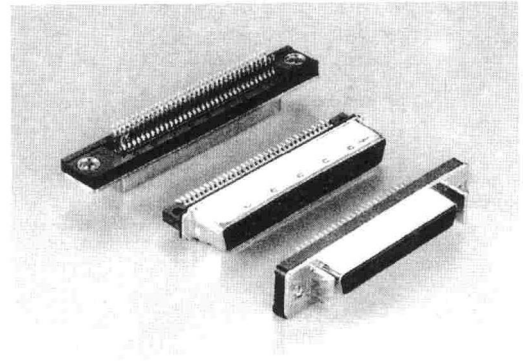
SDSC Series



PLASTIC COVER

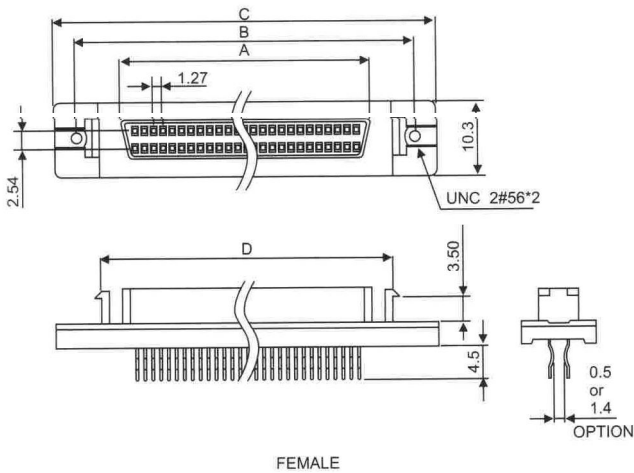


METAL COVER

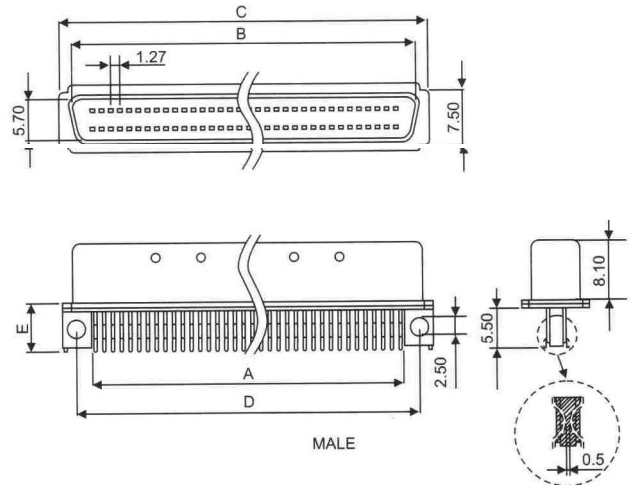


POSITION	A	B	C	D
50S	34.30	46.50	52.50	40.10
68S	45.73	57.93	63.93	51.53

POSITION	A	B	C	D	E
50P	31.50	34.67	39.67	35.87	6.60
68P	43.00	46.10	51.10	47.30	6.60

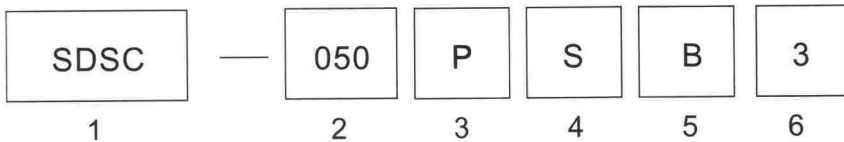


FEMALE



MALE

Order Information



1. SERIES NO.

SDSC

2. CONTACT NUMBER

020 026 028 040 050
060 068 080 100 120

3. CONTACT TYPE

P = MALE
S = FEMALE

4. CONTACT PLATING

S = SELECTIVE GOLD
C = 15u " GOLD
D = 30u " GOLD

5. PARTS OPTION

A = NON ACCESSORIES
B = W/BLACK PLASTIC COVER
C = W/BLACK PLASTIC COVER
D = W/A TYPE METAL COVER
E = W/B TYPE METAL COVER

6. INSULATOR COLOR

3 = BLACK