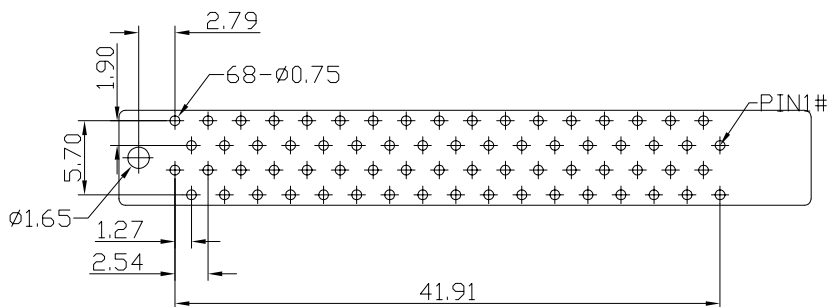


SECTION: A-A



P.C.B LAYOUT

Notes:

***Material:**

Housing: Nylon66 with glass-fiber reinforced (UL 94V-0);
 Contacts: Brass.
 Contact Plating: Gold plating over Nickel on contact area;
 Tin plating on solder tail.

***Electrical Specification:**

Contact Current Rating: 1 Amperes;
 Dielectric Withstanding Voltage: AC 250V Min (For 1 minute);
 Insulation Resistance: 500 Megohms Min(At 500V DC);
 Contact Resistance: 35 Milliohms Max.

***Envirnmental:**

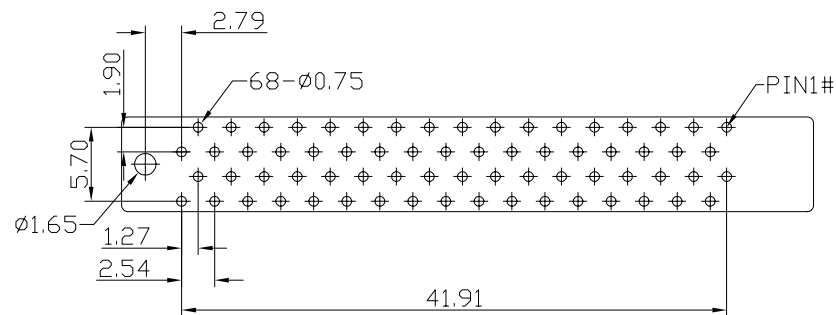
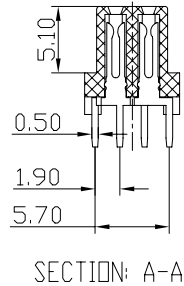
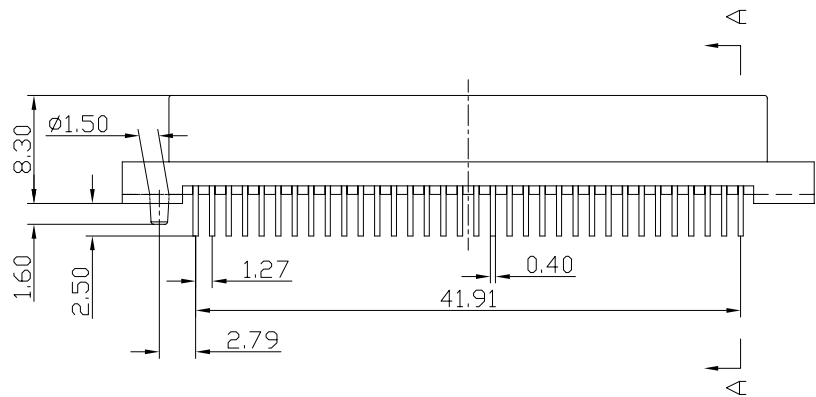
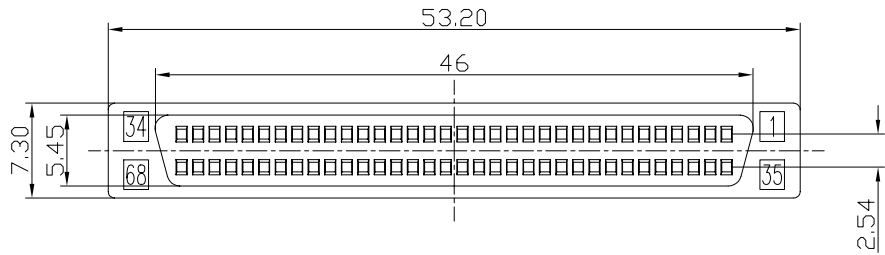
Operating Temperature: -55°C to +105°C.

***Part Number:**

WSS2-068 B B N 1 1 U W

- W:Winning Mark Blank:NO Mark
- U:Lead Free Blank:Sn-Pb
- 1:With Post 2:Without Post
- 1:Standard 2:Reverse
- N:Nylon66
- B:Brass
- GOLD A: Flash B: 3u"
- Number of contacts

| REV | Units | mm | Scale | Drawing By | Data | | | | |
|-----|--------------------------------------|----|-------|-------------|------|------------------------|-------|-------|---|
| | Tolerance Unless Otherwise Specified | | | Reviewed By | Data | Date | Sheet | Title | SCSI 2 D-SUB Standard Type Strip Form Pin 68P |
| | .X | ~ | ±0.38 | Approval By | Data | 1 of 1 | Title | | |
| | .XX | ~ | ±0.25 | | | Third Angle Projection | | | |
| | .XXX | ~ | ±0.20 | | | | | | |
| | Angle | ~ | ± 3° | | | Drawing No. | | REV | |



P.C.B LAYOUT

NOTES:

***Material:**

Housing: Nylon66 with glass-fiber reinforced (UL 94V-0);
 Contacts: Brass.
 Contact Plating: Gold plating over Nickel on contact area;
 Tin plating on solder tail.

***Electrical Specification:**

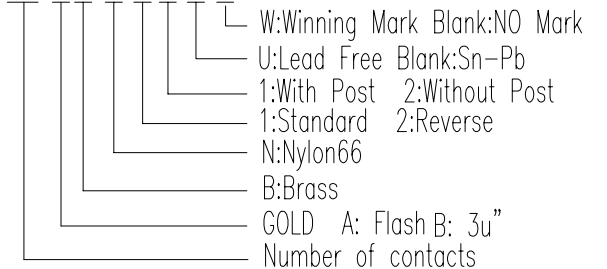
Contact Current Rating: 1 Amperes;
 Dielectric Withstanding Voltage: AC 250V Min (For 1 minute);
 Insulation Resistance: 500 Megohms Min(At 500V DC);
 Contact Resistance: 35 Milliohms Max.

***Envirnmental:**

Operating Temperature: -55°C to +105°C.

***Part Number:**

WSS2-068 B B N 2 1 U W



| | | | | | | |
|--------------------------------------|----|-------|-------------|------|------------------------|--|
| REV | | | Drawing By | Data | | |
| Units | mm | Scale | Reviewed By | Data | Date | |
| Tolerance Unless Otherwise Specified | | | Approval By | Data | Sheet | 1 of 1 |
| .X | ~ | ±0.38 | | | Third Angle Projection | Title |
| .XX | ~ | ±0.25 | | | | SCSI 2 D-SUB Reverse Type Strip Form Pin 68P |
| .XXX | ~ | ±0.20 | | | | |
| Angle | ~ | ± 3° | | | Drawing No. | REV |