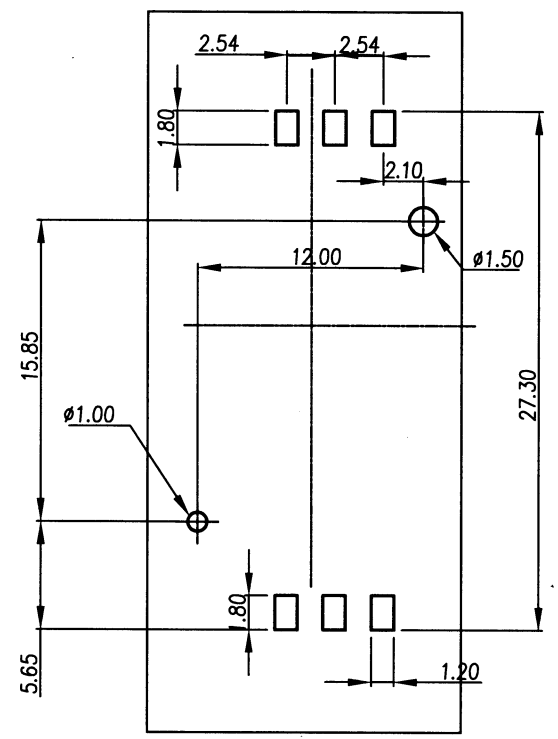
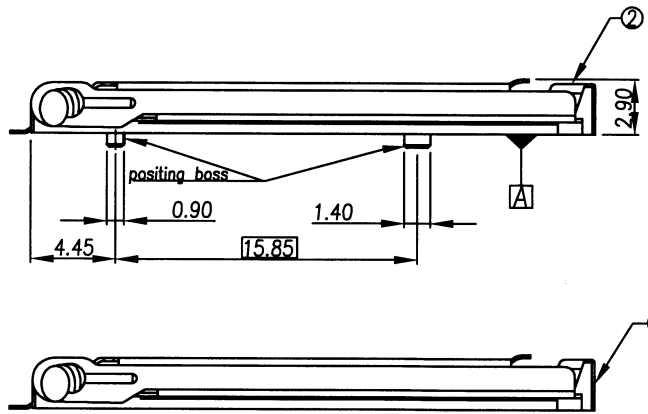
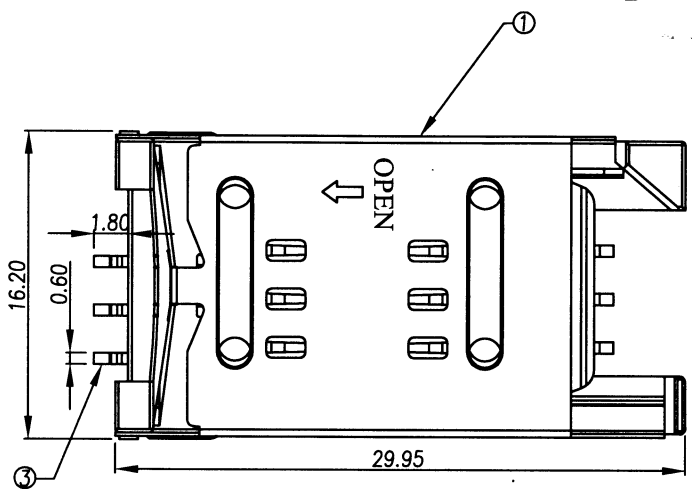


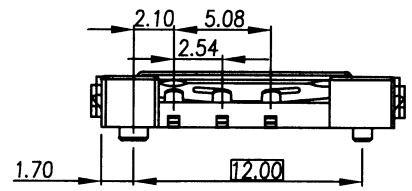
1 2 3 4 5 6 7 8

REV	MODIFICATION	DATE	DRAW

1	COVER	STAINLESS STEEL
2	HOUSING INSERT	LCP+30%G.F.
3	CONTACT	PHOSPHOR BRONZE
4	HOUSING INSERT(NO POSITING BOSS)	LCP+30%G.F.



PCB LAYOUT



NOTES:
1. "▲" MARKING FOR MAJOR DIMENSIONS

ORDER INFORMATION:
SIMMP-00630B501

DIMENSION IN mm [Inch]		PROD. SPEC.	TITLE SIM CONN. WITH COVER		CUSTOMER DRAWING
TOLERANCE UNLESS OTHERWISE SPECIFIED		PKG. SPEC.	FILE NO.	DWG NO. SIMMP-00630B501	
.X±0.30	X'± 3'	APPROVE	PROJ.		SHEET 1 / 1
.XX±0.20	.X'± 2'	CHECK	SIZE A4	SCALE 2.5:1	REV A
.XXX±0.10	.XX'±	DRAW	RQR-51		

1 2 3 4 5 6 7 8 RQR-51